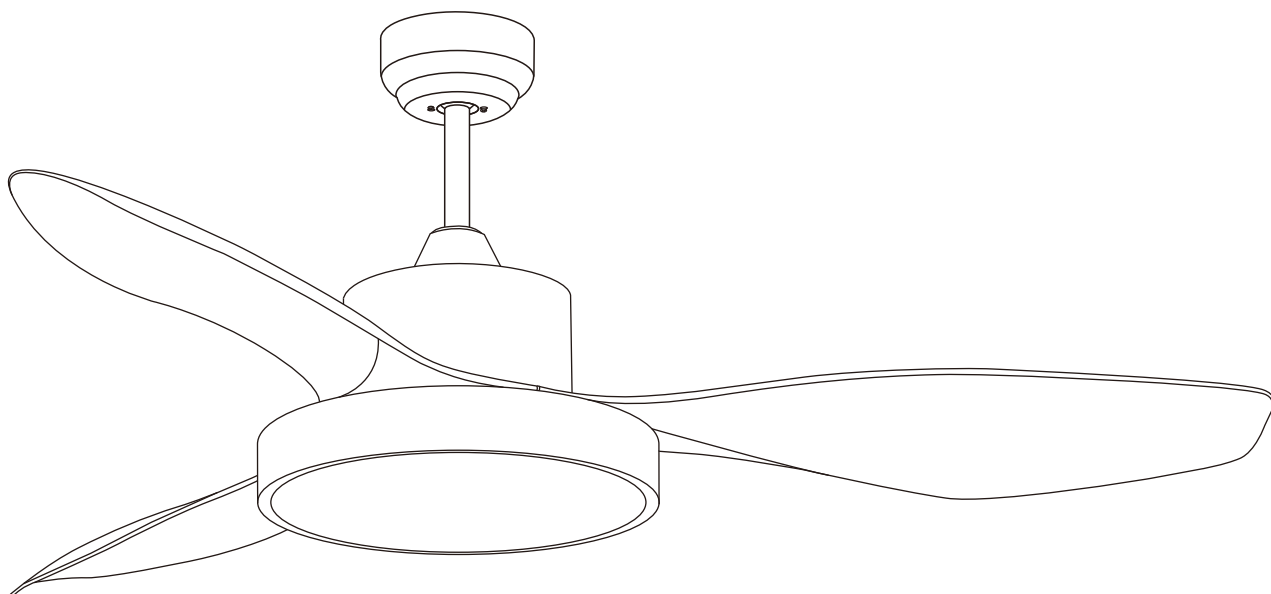


XENON
LIGHT
LIGHTS & ACCESSORIES



MODEL KBS 5605

CEILING FAN

INSTRUCTION MANUAL

Xenon-Light d.o.o.
Šavnička 51/18, Beograd, Srbija
www.xenonlight.rs / office@xenonlight.rs
Tel/Fax +381 11 2755371; 2086129


Table of Contents


Table of Contents - - - - -	2	Use of remote control - - - - -	10
Safety Information - - - - -	2	Operation - - - - -	10
Warranty - - - - -	3	App pairing - - - - -	11
Pre-Installation - - - - -	3	Fans Balance- - - - -	12
Installation- - - - -	5	Care and cleaning - - - - -	13
Assembly- - - - -	6	Troubleshooting- - - - -	13


Safety Information


READ AND SAVE THESE INSTRUCTIONS


1. To reduce the risk of electric shock, ensure the electricity has been turned off at the circuit breaker or fuse box before you begin.
2. All wiring must be in accordance with the National Electrical Code ANSI/NFPA 70-1999 and local electrical codes. Electrical installation should be performed by a qualified licensed electrician.
3. The outlet box and support structure must be securely mounted and capable of reliably supporting 35 lbs (15.9 kg). Use only UL Listed outlet boxes marked "Acceptable for Fan Support of 35 lbs (15.9 kg) or less."
4. CAUTION: The fan must be mounted with a minimum of 7 ft. (2.3m) clearance from the trailing edge of the blades to the floor.
5. Do not operate the reversing switch while the fan blades are in motion. You must turn the fan off and stop the blades before you reverse the blade direction.
6. Do not place objects in the path of the blades.
7. To avoid personal injury or damage to the fan and other items, use caution when working around or cleaning the fan.
8. Electrical diagrams are for reference only. Light kits that are not packed with the fan must be UL-listed and marked suitable for use with the model fan you are installing. Switches must be UL General Use Switches. Refer to the instructions packaged with the light kits and switches for proper assembly.
9. After making electrical connections, spliced conductors should be turned upward and pushed carefully up into the outlet box. The wires should be spread apart with the grounded conductor and the equipment-grounding conductor on one side of the outlet box.
10. All setscrews must be checked and retightened where necessary before installation.


 **WARNING:** To reduce the risk of personal injury, do not bend the blade brackets (also referred to as flanges) during assembly or after installation. Do not insert objects in the path of the blades.


 **WARNING:** To reduce the risk of fire or electric shock, this fan must be installed with an isolating wall switch.

 **WARNING:** To avoid possible electrical shock, turn the electricity off at the main fuse box before wiring. If you feel you do not have enough electrical wiring knowledge or experience, contact a licensed electrician.

 **WARNING:** Electrical diagrams are for reference only. Optional use of any light kit shall be UL-listed and marked suitable for use with this fan.

 **WARNING:** To reduce the risk of fire, electric shock, or personal injury, mount to outlet box marked "Acceptable for fan support of 35 lbs.(15.9 kg) or less," and use the screws provided with the outlet box.

 **WARNING:** To reduce the risk of fire or electric shock, this fan should only be used with fan speed control part no.

 **CAUTION:** To reduce the risk of personal injury, use only the screws provided with the outlet box.

Warranty

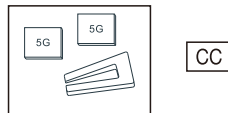
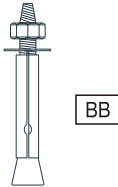
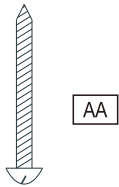
The supplier warrants the fan motor to be free from defects in workmanship and material present at time of shipment from the factory for a lifetime after the date of purchase by the original purchaser. The supplier also warrants that all other fan parts, excluding any glass or acrylic blades, to be free from defects in workmanship and material at the time of shipment from the factory for a period of one year after the date of purchase by the original purchaser. We agree to correct such defects without charge or at our option replace with a comparable or superior model if the product is returned. To obtain warranty service, you must present a copy of the receipt as proof of purchase. All costs of removing and reinstalling the product are your responsibility. Damage to any part such as by accident or misuse or improper installation or by affixing any accessories, is not covered by this warranty. Because of varying climatic conditions this warranty does not cover any changes in brass finish, including rusting, pitting, corroding, tarnishing, or peeling. Brass finishes of this type give their longest useful life when protected from varying weather conditions. A certain amount of "wobble" is normal and should not be considered a defect. Servicing performed by unauthorized persons shall render the warranty invalid. There is no other express warranty. We hereby disclaims any and all warranties, including but not limited to those of merchantability and fitness for a particular purpose to the extent permitted by law. The duration of any implied warranty which cannot be disclaimed is limited to the time period as specified in the express warranty. Some states do not allow a limitation on how long an implied warranty lasts, so the above limitation may not apply to you. The retailer shall not be liable for incidental, consequential, or special damages arising out of or in connection with product use or performance except as may otherwise be accorded by law. Some states do not allow the exclusion of incidental or consequential damages, so the above exclusion or imitation may not apply to you, This warranty gives specific legal rights, and you may also have other rights which vary from state to state. This warranty supersedes all prior warranties. Shipping costs for any return of product as part of a claim on the warranty must be paid by the customer.


Pre-Installation

TOOLS REQUIRED



HARDWARE INCLUDED

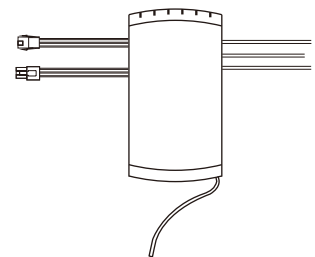
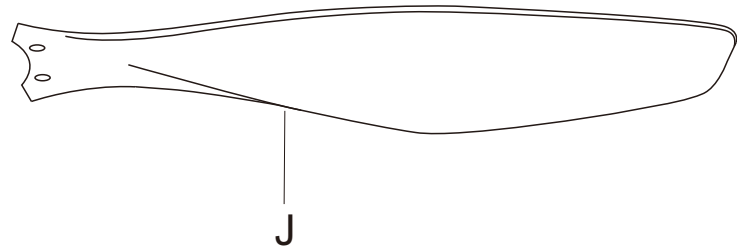
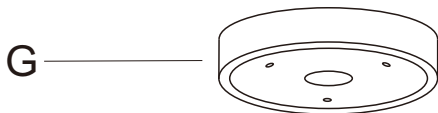
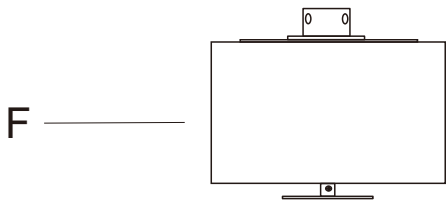
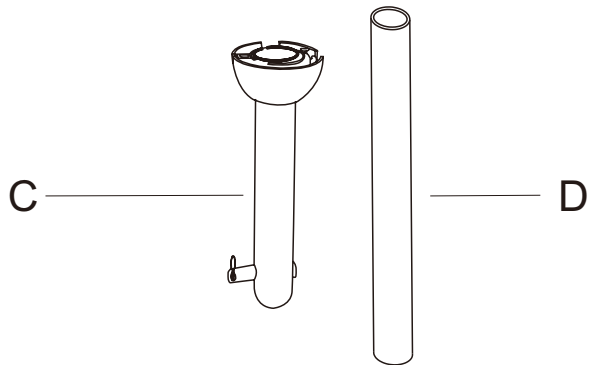
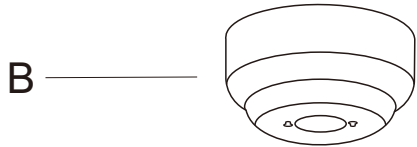
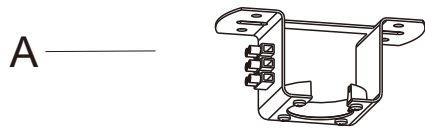



 NOTE: Hardware not shown to actual size.

AA	Mounting screws	4
BB	Expansion Bolts	2
CC	Balanced parts package	1

Pre-Installation

PACKAGE CONTENTS

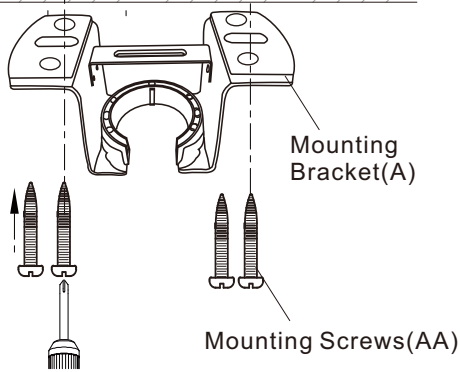


 NOTE: Hardware not shown to actual size.

A	Mounting Bracket	1
B	Canopy	1
C	12.5CM Ball/down rod assembly	1
D	25CM Ball/down rod assembly	1
E	Coupling Cover	1
F	Fan-motor assembly	1
G	Light kit fitter assembly	1
H	LED Light kit	1
I	Lamp Cover	1
J	Blade	3
K	Remote control(Transmitter)	1
L	Remote control(Receiver)	1

Installation of the hanging bracket(suspension part)

WOODEN CEILING



For wooden ceiling, use wood screw to drill on the wooden beam or the "junction box" to fix the hanging bracket (selection is made according to actual requirements of the customers).

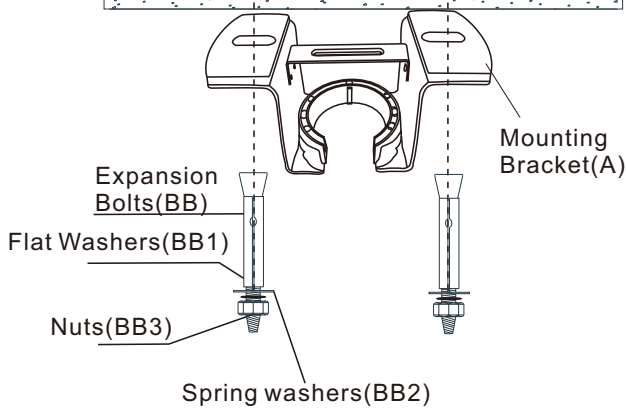
STEP 1A-WOODEN CEILING

SWITCH OFF THE ELECTRICAL MAINS AT THE CIRCUIT BREAKER FUSE BOX.

- 1) Use the Mounting Bracket (A) as a guide, mark the spots where the 4 Self Mounting Screws (AA) will be drilled.
- 2) Remove the Mounting Bracket (A), drill 4 holes for 3MM diameter, install the mounting bracket onto wooden ceiling with the 4 Self Mounting Screws (AA).

⚠ IMPORTANT :SCREWS MUST BE TIGHTENED TILL SNUG

CONCRETE CEILING



For concrete ceiling, use the percussion bit with diameter 8mm to drill holes according to the length of expansion screws. Then use the attached expansion screws to fix the hanging bracket onto the ceiling (selection is made according to actual requirements of the customers)

STEP 2A-CONCRETE CEILING

SWITCH OFF THE ELECTRICAL MAINS AT THE CIRCUIT BREAKER FUSE BOX.

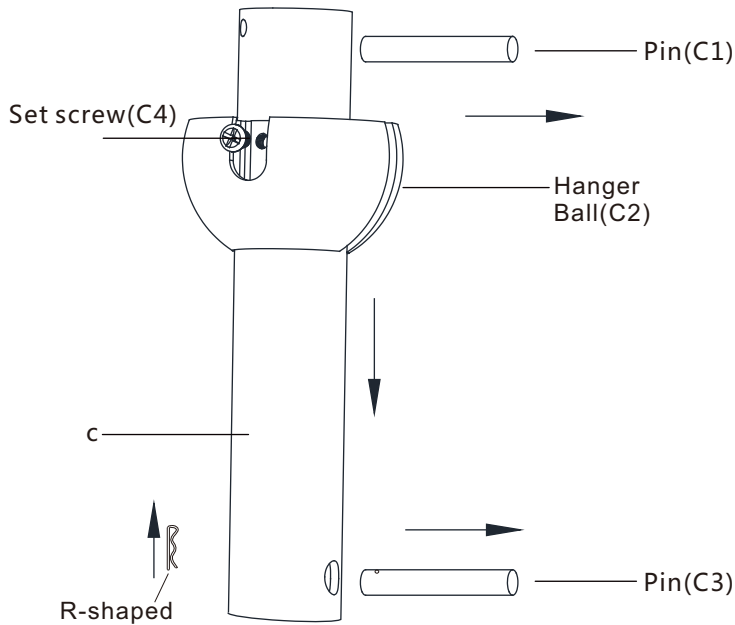
- 1) Use the Mounting Bracket (A) as a guide, mark the spots where the 2 Expansion Bolts(BB) will be drilled.
- 2) Remove the Mounting Bracket (A). Drill 2 holes for 8MM diameter and insert 2 Expansion Bolts (BB) into the concrete ceiling, install the mounting bracket and secure with Flat Washers(BB1), Spring Washers(BB2) and Nuts(BB3)

⚠ IMPORTANT :SCREWS MUST BE TIGHTENED TILL SNUG

Assembly-Standard Ceiling Mount

1. Remove the suspension ball

- Remove the Hanger Ball(C2) from the Down rod assembly(C) by loosening the set screw (C4) and removing R-shaped, the metal Pin (C1) and Pin (C3) as shown. Keep parts.



2. Assembling the fan

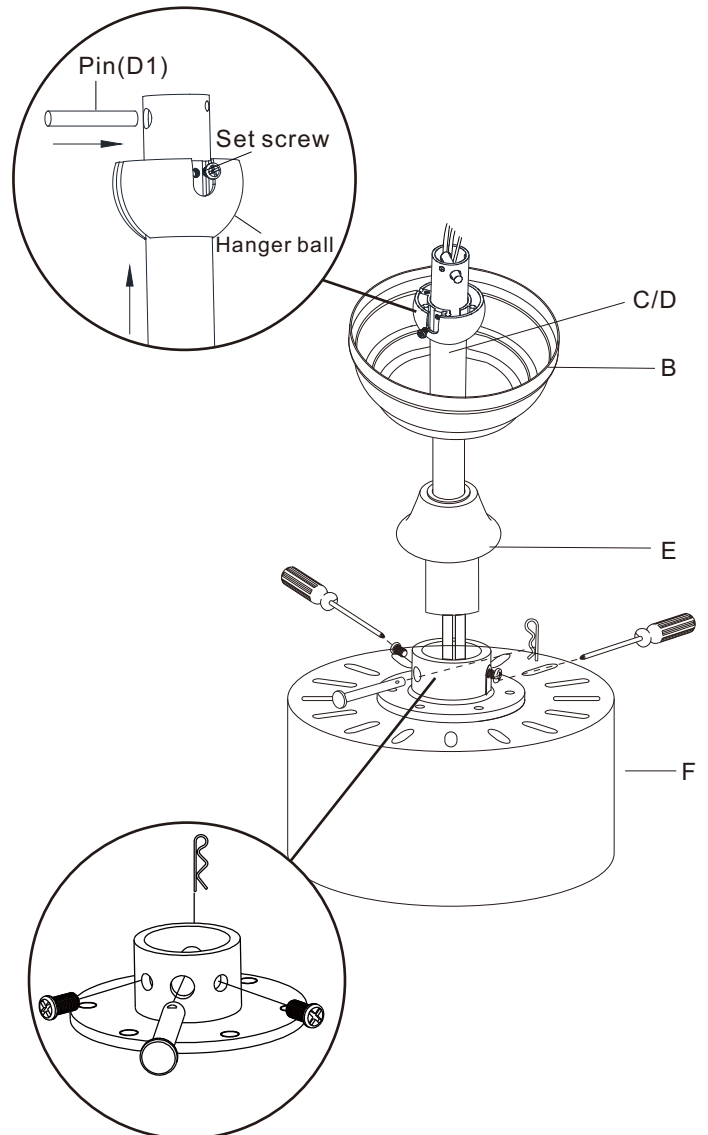


WARNING: make sure the pin installed well on hanger ball with down rod



NOTE: There are different lengths of down rods, choose one according to your own needs.

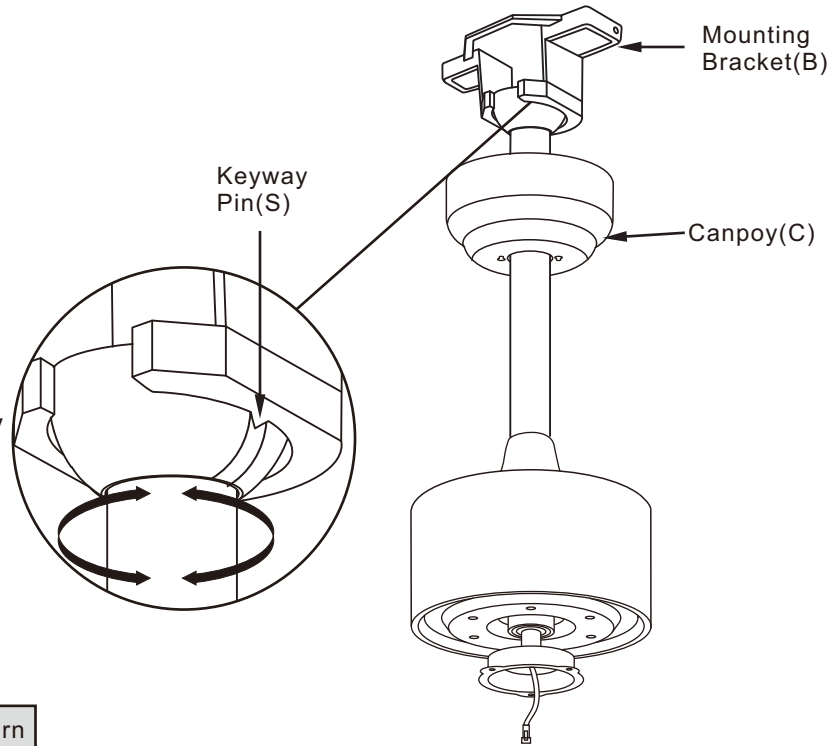
- Thread the top outlet wire of the Fan Motor Assembly (F) through Coupling Cover(E), Down rod(C/D).
- Insert the Down rod(C/D) through the Coupling Cover(E) into the motor coupling (PP), Insert pin(C3), Secure with R-shaped clips, Tighten the Set Screw.
- Place the Canopy (B) and hanger ball over lead wires and Down rod assembly (C/D). Secure the hanger ball with a pin (C1) and a set screw. Tighten the set screw to secure the Down rod assembly(C/D).



Assembly-Hanging the Fan

3. Hanging the fan

- Notice the hanger ball on the end of the Down Rod is grooved down one side. This keyway fits over the small Keyway Pin(S) on the inside of the Mounting Bracket(B) and keeps the ceiling fan from spinning on the Mounting Bracket(B).
- Using your step ladder, lift the fan and place the hanger ball in the center of the Mounting Bracket(B) with the Keyway Pin(S) inserted into the keyway on the ball. Turn the fan left and right slightly to make sure it is seated on the bracket with the Keyway Pin(S) in the keyway.

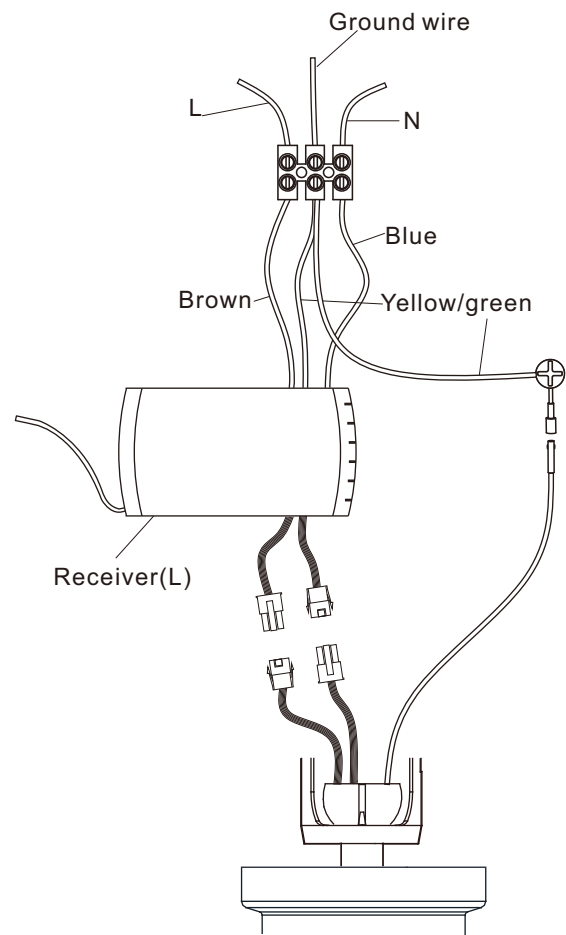


4. Wire connection



WARNING: To avoid possible electrical shock, turn the electricity off at the main fuse box before wiring. If you feel you do not have enough electrical wiring knowledge or experience, contact a licensed electrician.

- Connect the wires on the Receiver(L) to the wires on the fan using a wire.
- Use wiring terminals to connect the yellow/green wires of the Receiver (L) and fan to the home ground wire (which may be green or bare wire).
- Use wiring terminals to connect the brown wire of the Receiver(L) to the household live wire.
- Use wiring terminals to connect the blue wire of the Receiver(L) to the household zero wire.



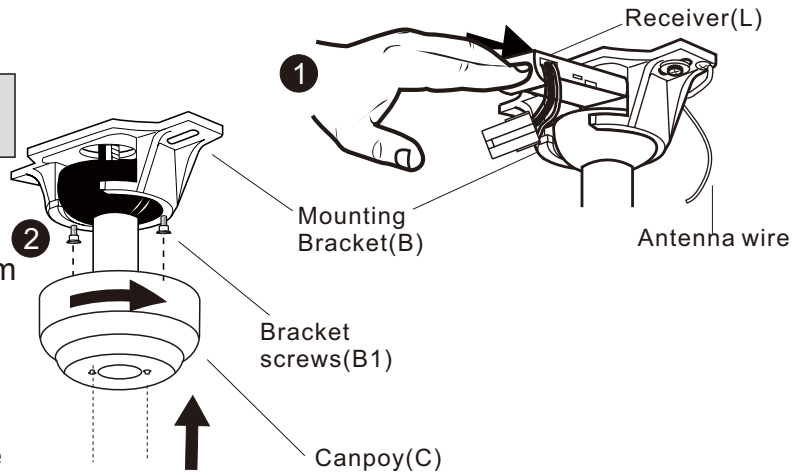
Assembly-Hanging the Fan(continued)

5. Install remote control



NOTE: The antenna should be outside the bracket to ensure good remote control signal.

- Place the Receiver(L) on the Mounting Bracket(B)
- Carefully push the Canopy(C) to the bottom of the Mounting Bracket(B), make two sliding holes aligned to the two prominent screws on the Mounting Bracket(B), and then turn clockwise until tight.
- Push the canopy cover to the bottom of the Canopy(C), Install the canopy cover magnet onto the canopy.

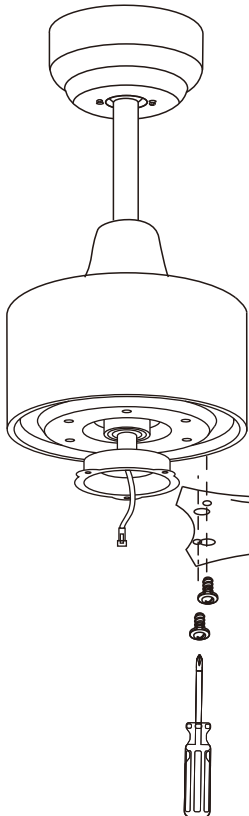


6. Install the blades to the motor



NOTE: Your fan blades are reversible. Select the blade side finish which best accentuates your decor.

- Fasten the Blade to the fan-motor assembly by inserting the alignment post into the slot on the bottom of the motor and tightening the pre-installed Blade screws.
- Repeat this step for the remaining blade assemblies.

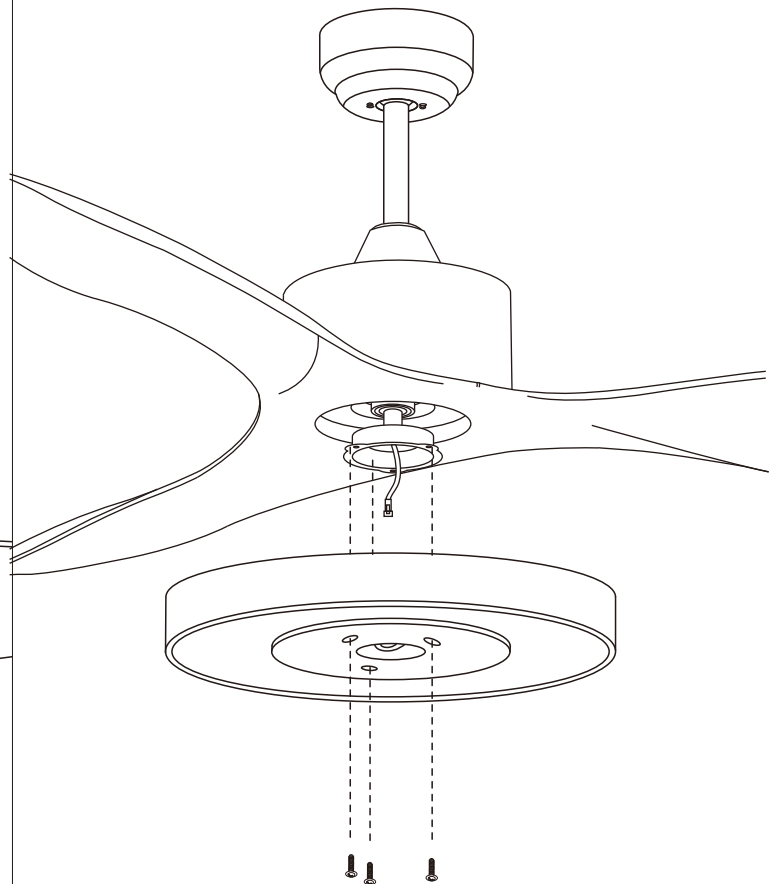


7. Install the lamp fitter



CAUTION : To reduce the risk of electric shock, disconnect the electrical circuit to the fan before installing the light fixture

- Remove three screws from the plate which on the motor.
- Use these three screws install the Light kit fitter assembly.

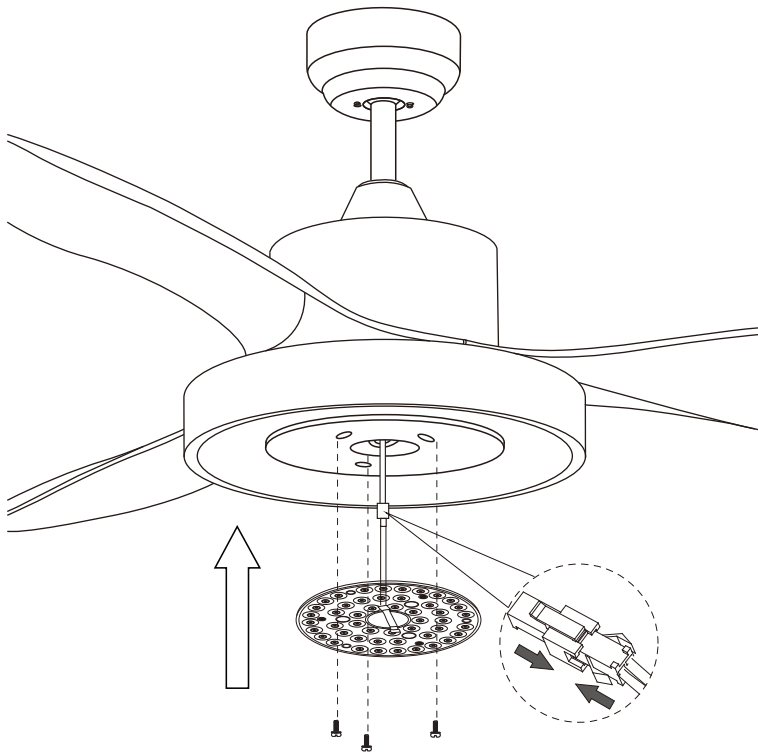


Assembly-Attaching the Lights

8. Connecting lamp wire

CAUTION : To reduce the risk of electric shock, disconnect the electrical circuit to the fan before installing the light fixture

- Install the light source by unfastening the three screws under the lamp tray.
- Connect cables to the fan and light source
- Lock the light source under the lamp plate with the three screws removed in the first step



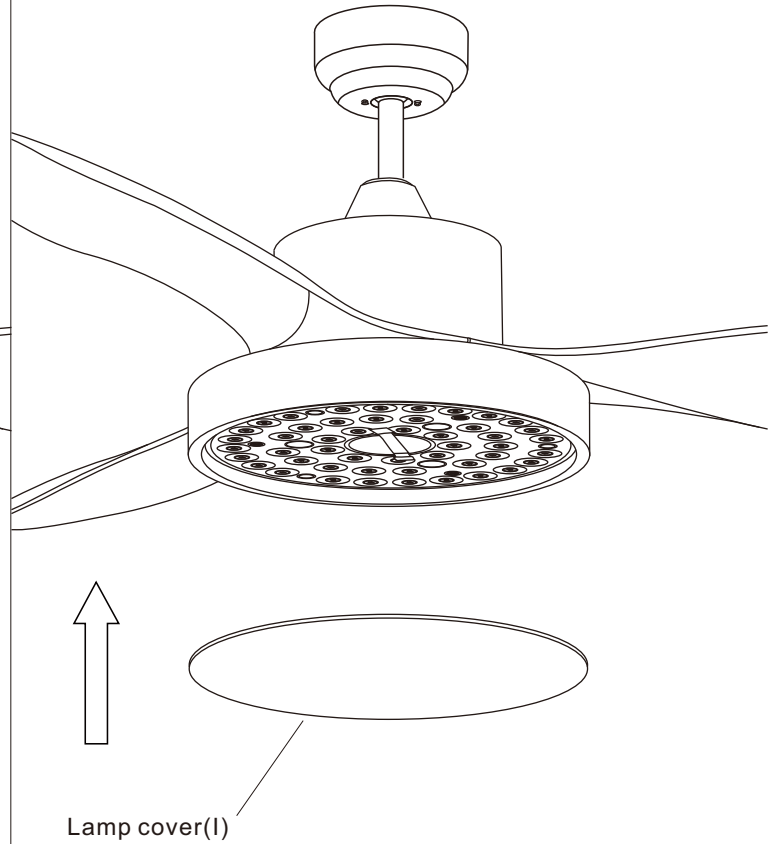
9. Install the lamp cover

WARNING: Allow the Lamp cover to cool completely before removing.

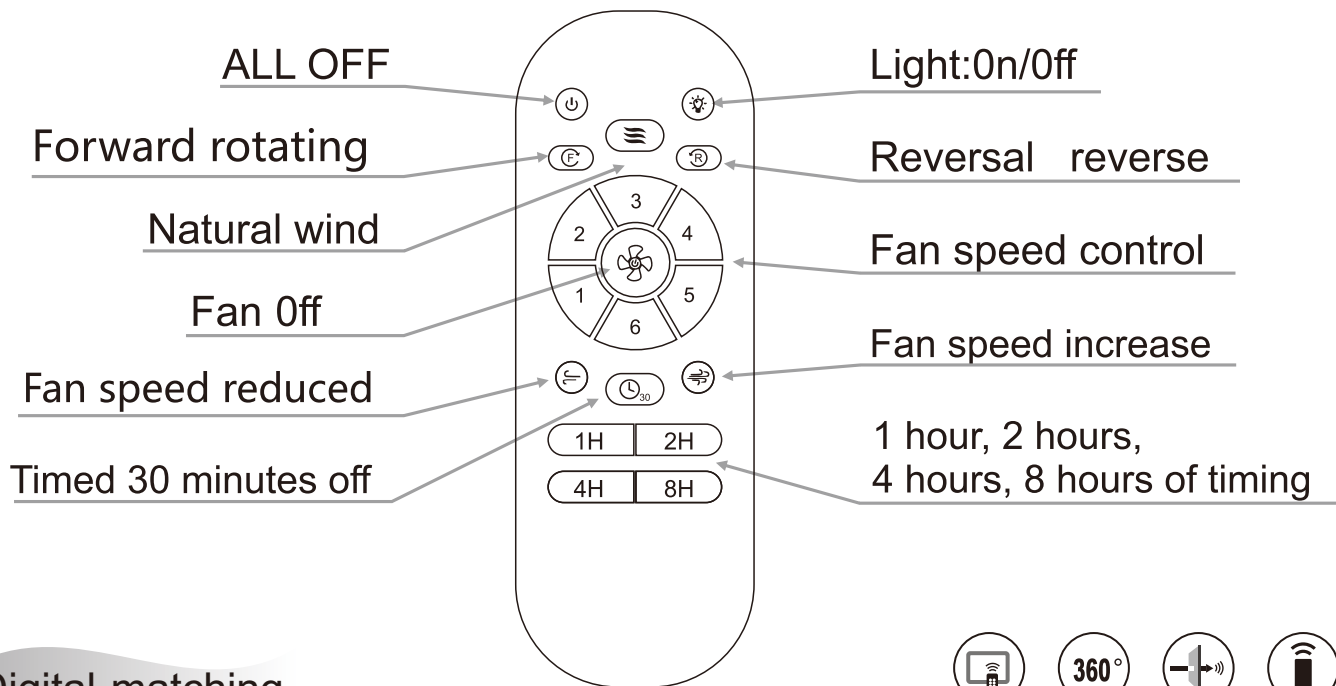
CAUTION : Make sure the power is off before attaching or removing the shatter resistant bowl.

CAUTION : Do not over tighten the lamp cover, over tightening may cause the lamp cover to break.

- Install the Lamp cover(I) as shown.



Use of remote control



Digital matching

Turn on the power while holding down the "1H+ 4H" button, 3-5 seconds, release the "1H + 4H" button. Press any button, the fan can work normally, the code is completed. If not, please turn off the power once a minute in a repeat operation

Tips: The remote control has completed the learning pairing procedure before leaving the factory. After installation, it can be used directly, if you want to add or replace a new remote control, you need to pair it again.

Operation

OPERATING YOUR FAN

Turn on the power and check the operation of the fan. The remote controls the fan speed and light.

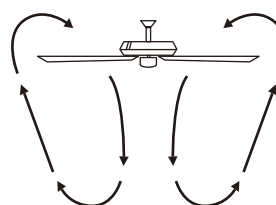
The appropriate speed settings for warm or cool weather depends on factors such as the room size, ceiling height, and number of fans.



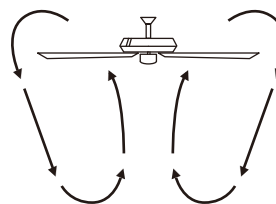
NOTE: Wait for the fan to stop before reversing the direction of the blade rotation

A. Warm weather-(Forward) A downward airflow creates a cooling effect. This allows you to set your air conditioner on a higher setting without affecting your comfort.

B. Cool weather-(Reverse) An upward airflow moves warm air off of the ceiling. This allows you to set your heating unit on a lowering setting without affecting your comfort.



A. Warm Weather (summertime)



B. Cool Weather (wintertime)

Smart life mobile phone App pairing

1. Scan the QR code to download the "Smart Life" APP
2. Download and open the "Smart Life" mobile page
3. Press the + button in the upper right corner of Add Manual and click Add Device to complete the device
4. Tap "Confirm Indicator Flashing Quickly", enter the WIFI name and password, and then tap "OK."

Back on the home page after loading the screen, you should be able to find your device on the home page

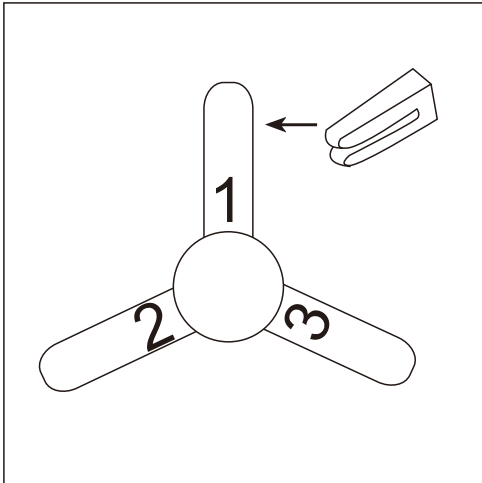


Q&A

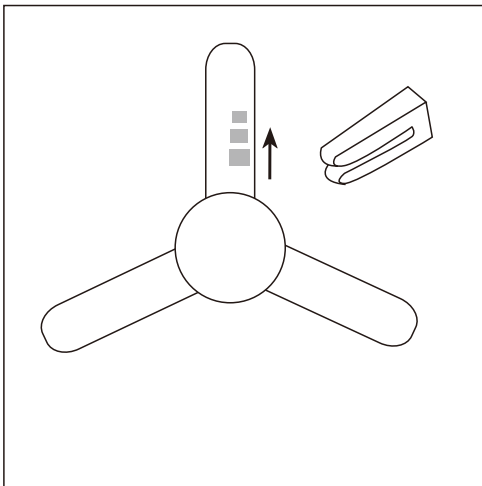
Q: If you can't pair the fan lamp

- A: 1. Please check if the Wi-Fi network is 2.4G. Turn off the power and wait for 10 seconds, and turn on the power again, then press and hold "💡" key in the upper right corner at the same time until the receiver emits an extended side-side sound three times.
2. The smart life mobile phone App is paired again

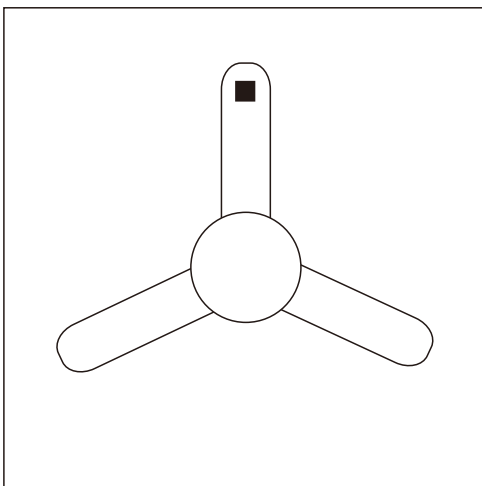
Fans Balance



Put the clip in the center of a blade, turn on the fan, and if the rolling persists, put the clip in another blade until the rolls is reduced. The blades of a ceiling fan need to be weight balanced.



Place the clip on the blade where you need to balance the weight, and try to position it in the best position, from the center of the blade to the tip, until the wobble disappears.



Glue the counterweight to the blade surface at the height of the clip. Remove the clip and test the fan. If the fan still staggering, place another counterweight. If it gets worse, try another better area to place the counterweight.

Care and Cleaning



WARNING: Make sure the power is off before cleaning your fan.

- Because of the fan's natural movement, some connections may become loose. Check the support connections, brackets, and blade attachments twice a year. Make sure they are secure. It is not necessary to remove the fan from the ceiling.
- Clean your fan periodically to help maintain its new appearance over the years. Do not use water when cleaning, as this could damage the motor or the wood, or possibly cause an electrical shock. Use only a soft brush or lint-free cloth to avoid scratching the finish. The plating is sealed with a lacquer to minimize discoloration or tarnishing.
- You can apply a light coat of furniture polish to the wood for additional protection and enhanced beauty. Cover small scratches with a light application of shoe polish.
- You do not need to oil your fan. The motor has permanently-lubricated sealed ball bearings.

Troubleshooting

Problem	Solution
The fan will not start.	<ul style="list-style-type: none"> <input type="checkbox"/> Check the main and branch circuit fuses or breakers. <input type="checkbox"/> Check the line wire connections to the fan and switch wire connections in the switch housing.
The fan has noise	<ul style="list-style-type: none"> <input type="checkbox"/> Ensure all motor housing screws are snug. <input type="checkbox"/> Ensure the screws that attach the fan blade bracket to the motor hub are tight. <input type="checkbox"/> Ensure the wire nut connections are not rattling against each other or the interior wall of the switch housing. <input type="checkbox"/> Allow a 24-hour "breaking in" period. Most noises associated with a new fan disappear during this time. <input type="checkbox"/> If you are using the Ceiling Fan light kit, ensure the screws securing the glassware are tight. Check that the light bulbs are also secure. <input type="checkbox"/> Ensure the canopy is a short distance from the ceiling. It should not touch the ceiling. <input type="checkbox"/> Ensure your outlet box is secure and rubber isolator pads were used between the mounting plate and outlet box.
The fan wobbles.	<ul style="list-style-type: none"> <input type="checkbox"/> Check that all blade and blade arm screws are secure. <input type="checkbox"/> Most fan wobble problems are caused when blade levels are unequal. Check this level by selecting a point on the ceiling above the tip of one of the blades. Measure from a point on the center of each blade to the point on the ceiling. Measure this distance. Rotate the fan until the next blade is positioned for measurement. Repeat for each blade. Any measurement deviation should be within 1/8 in. Run the fan for ten minutes. If the fan continues to wobble please refer the page 12