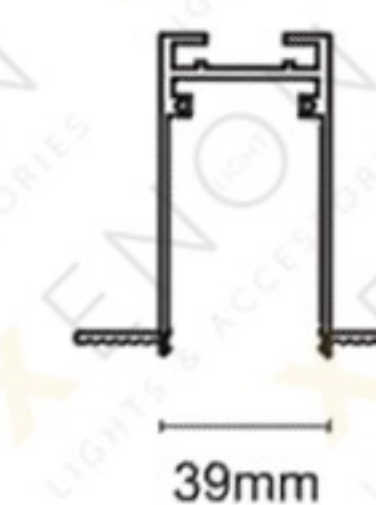




MAGNETA
ŠINSKA
RASVETA

XENON^{LIGHT}
LIGHTS & ACCESSORIES



• Ugradne



• Nadgradne
• Viseće
• Ugradne

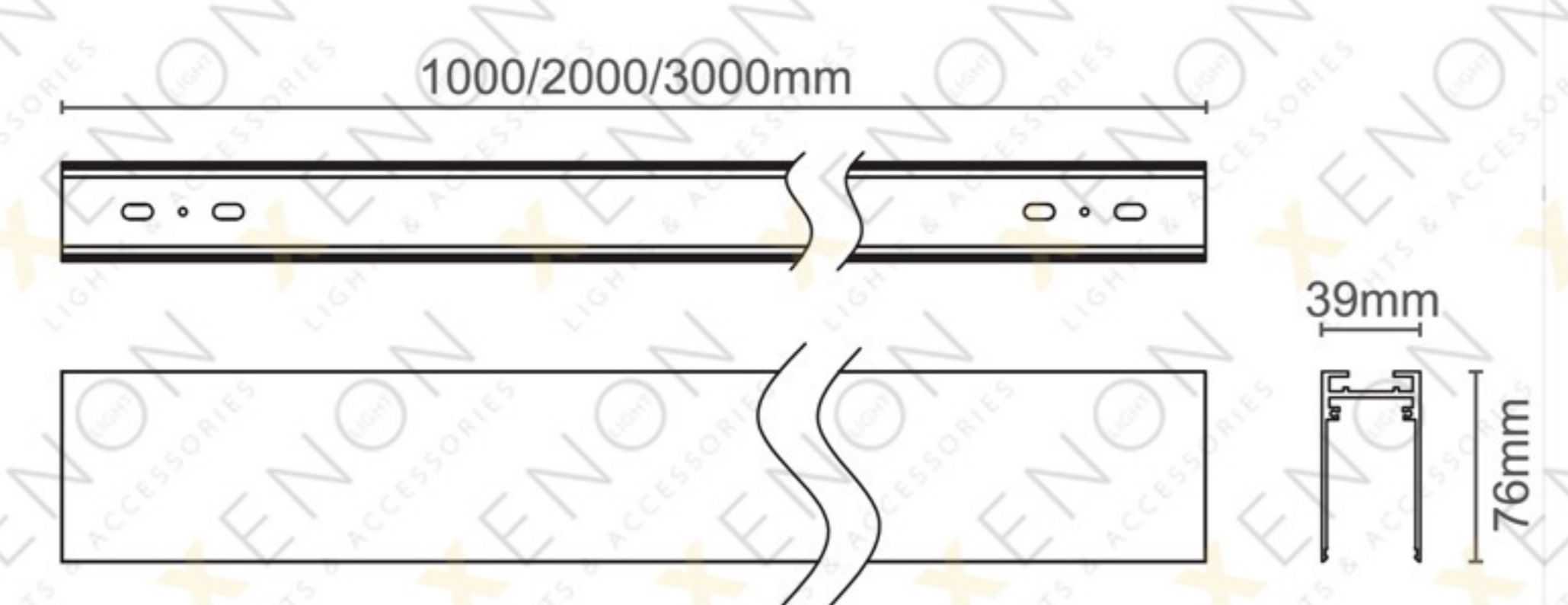
MAGNETNE 24V | ŠINE STANDARD 39mm

LST 24V



MODEL	DUŽINA	SNAGA
LST-1M	1000mm	200W max
LST-2M	2000mm	200W max
LST-3M	3000mm	200W max

Crna Bela

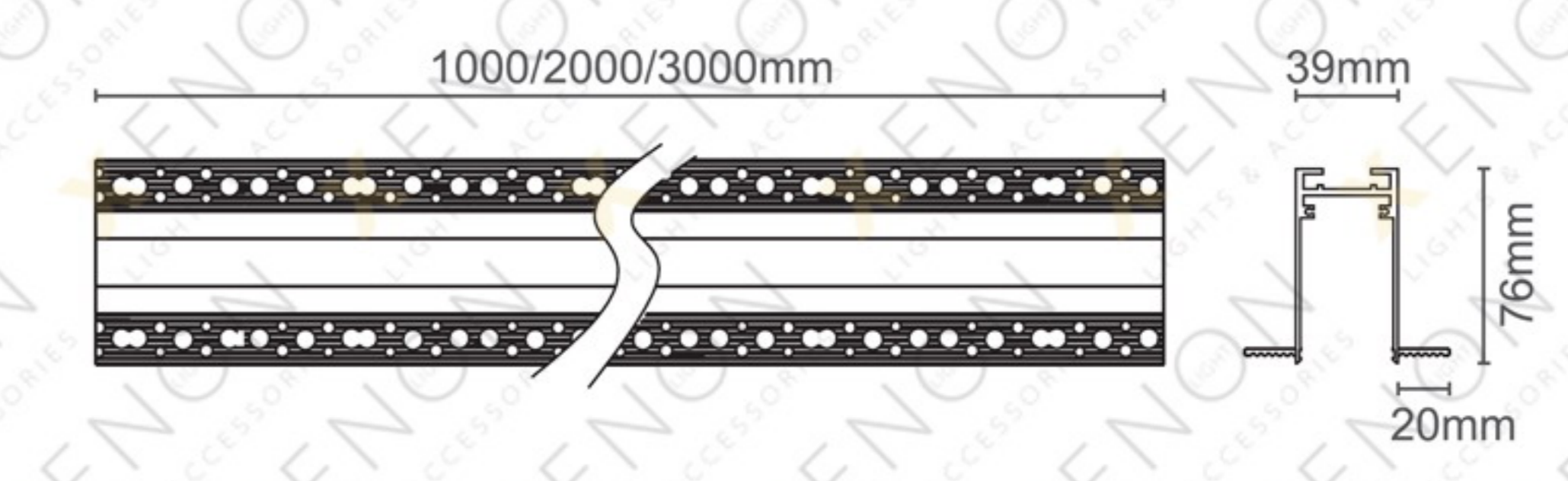
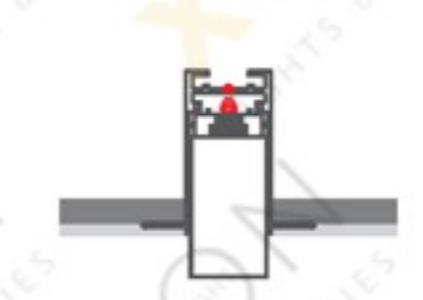


LWT 24V



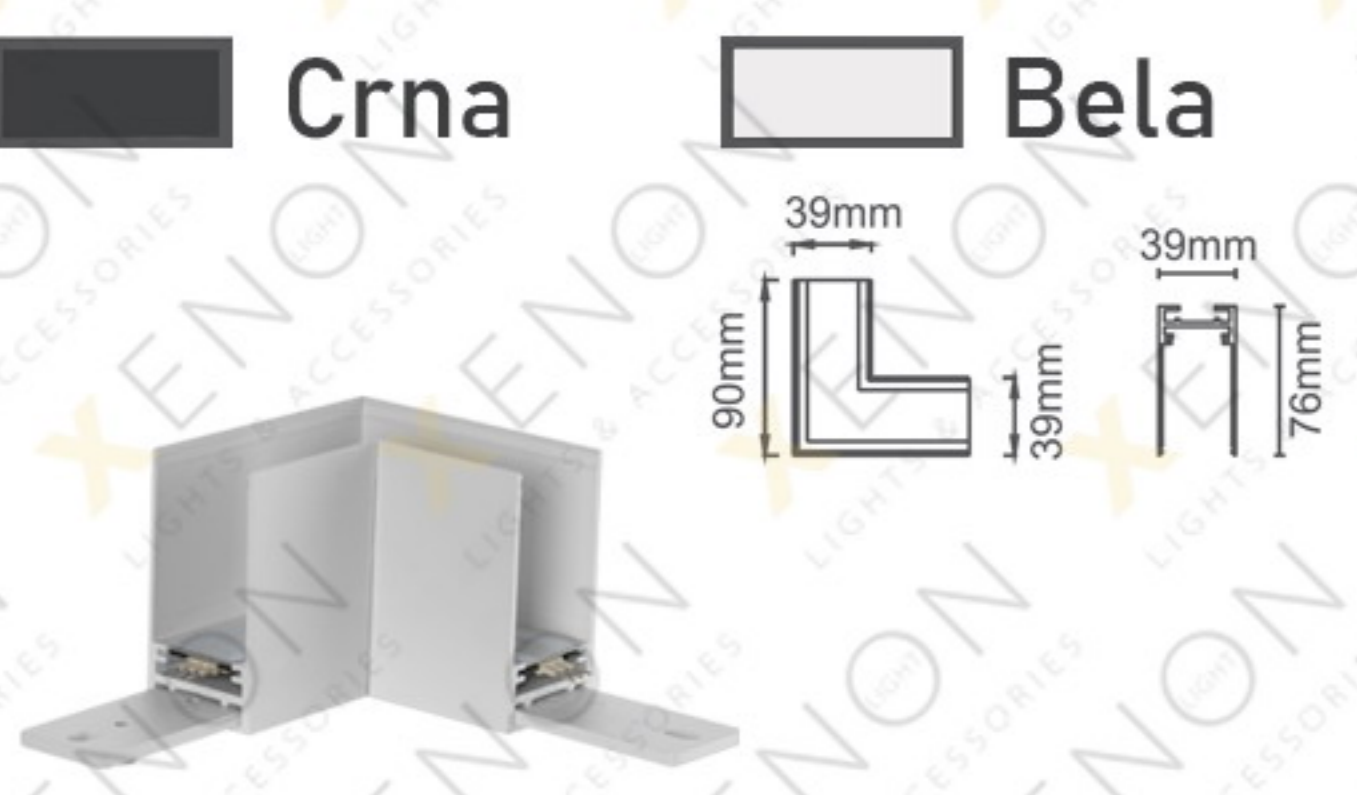
MODEL	DUŽINA	SNAGA
LWT-1M		200W max
LWT-2M		200W max
LWT-3M	3000mm	200W max

Crna Bela

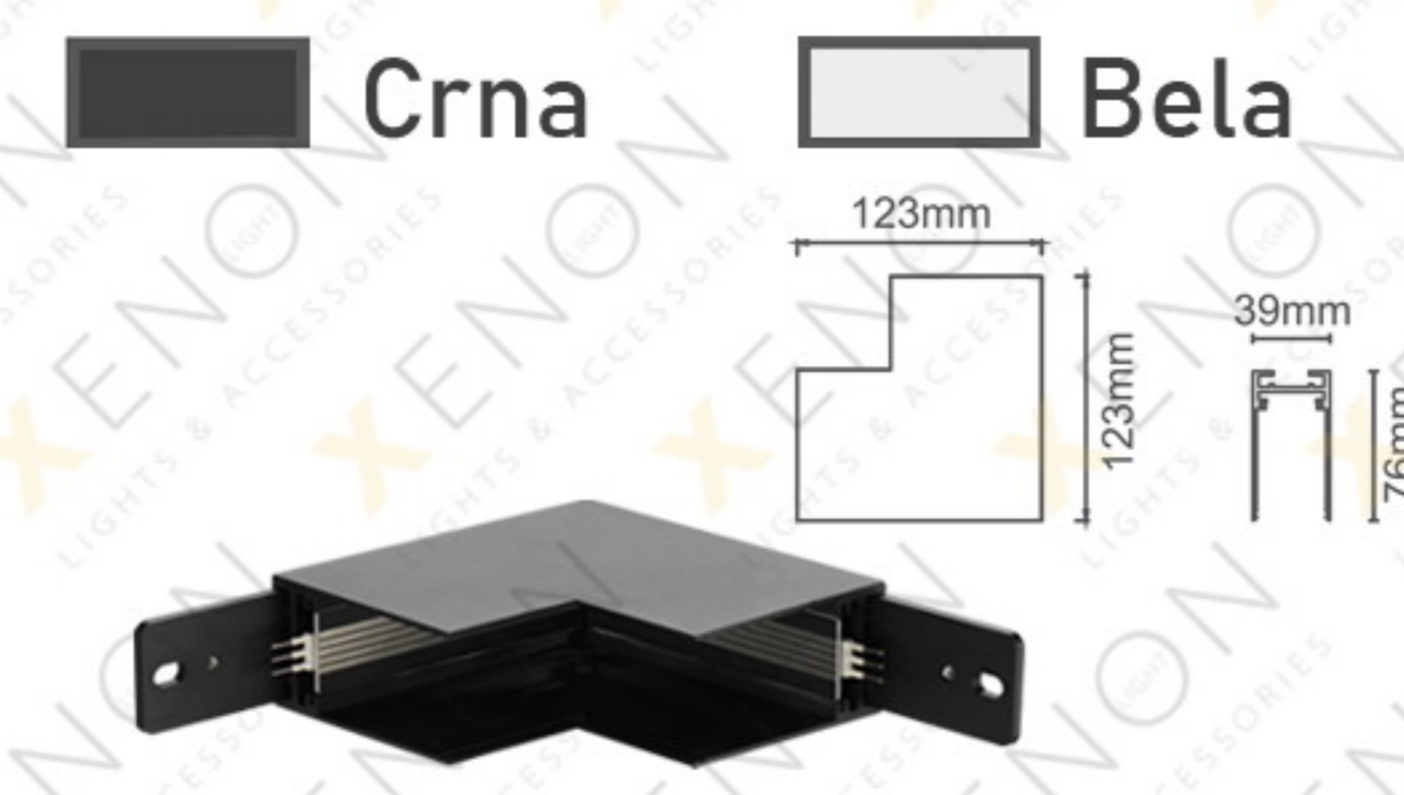


KONEKTORI

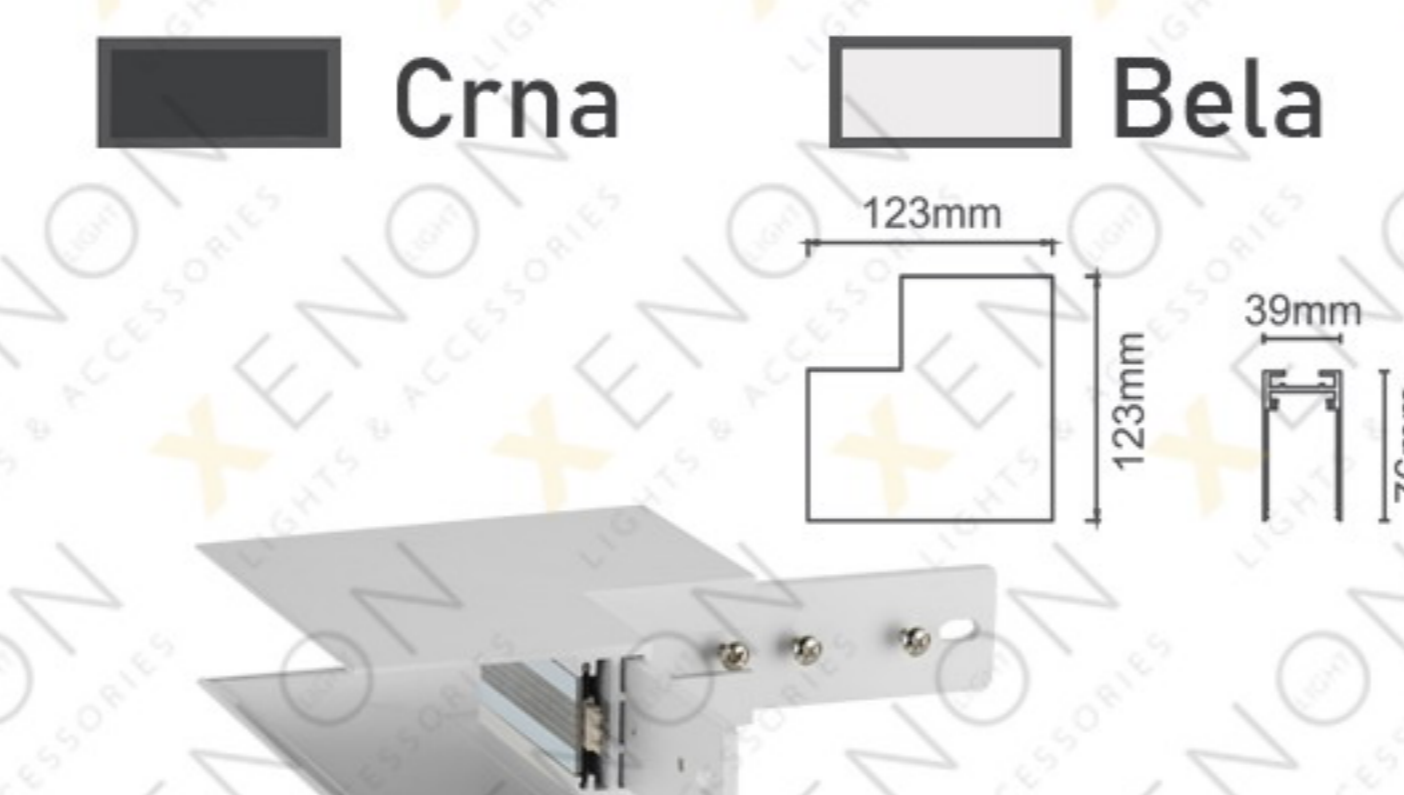
LST-L02



LST-J02 inner

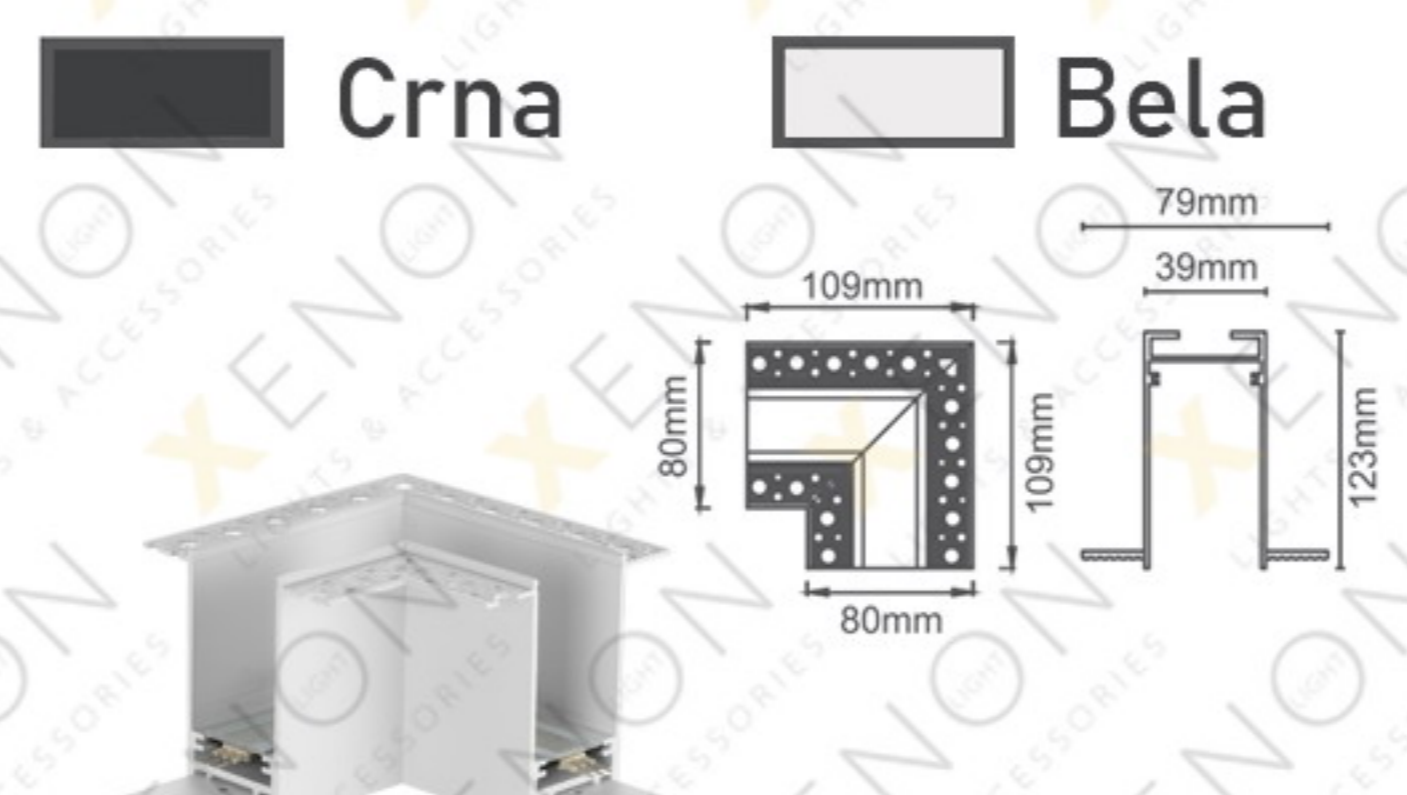


LST-J02 outer

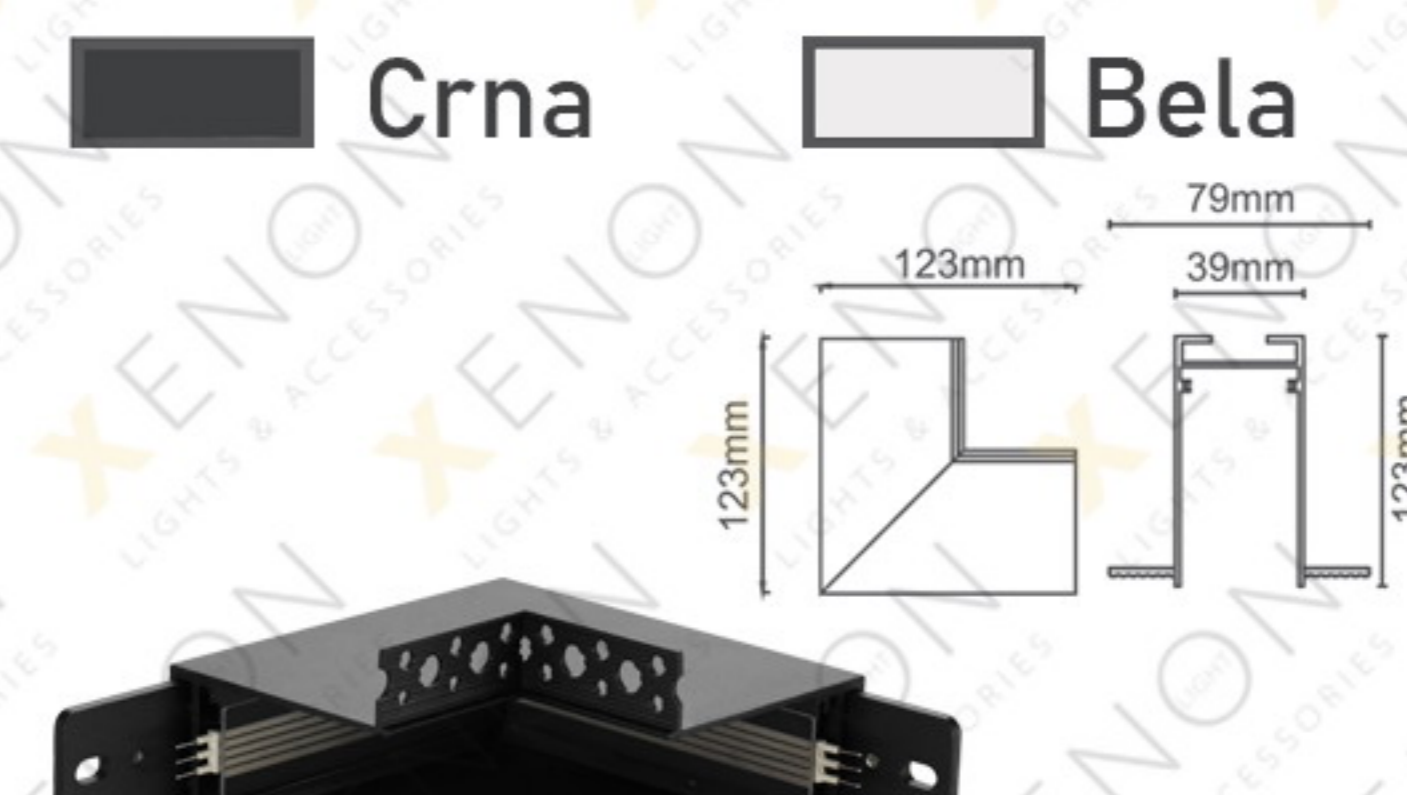


KONEKTORI

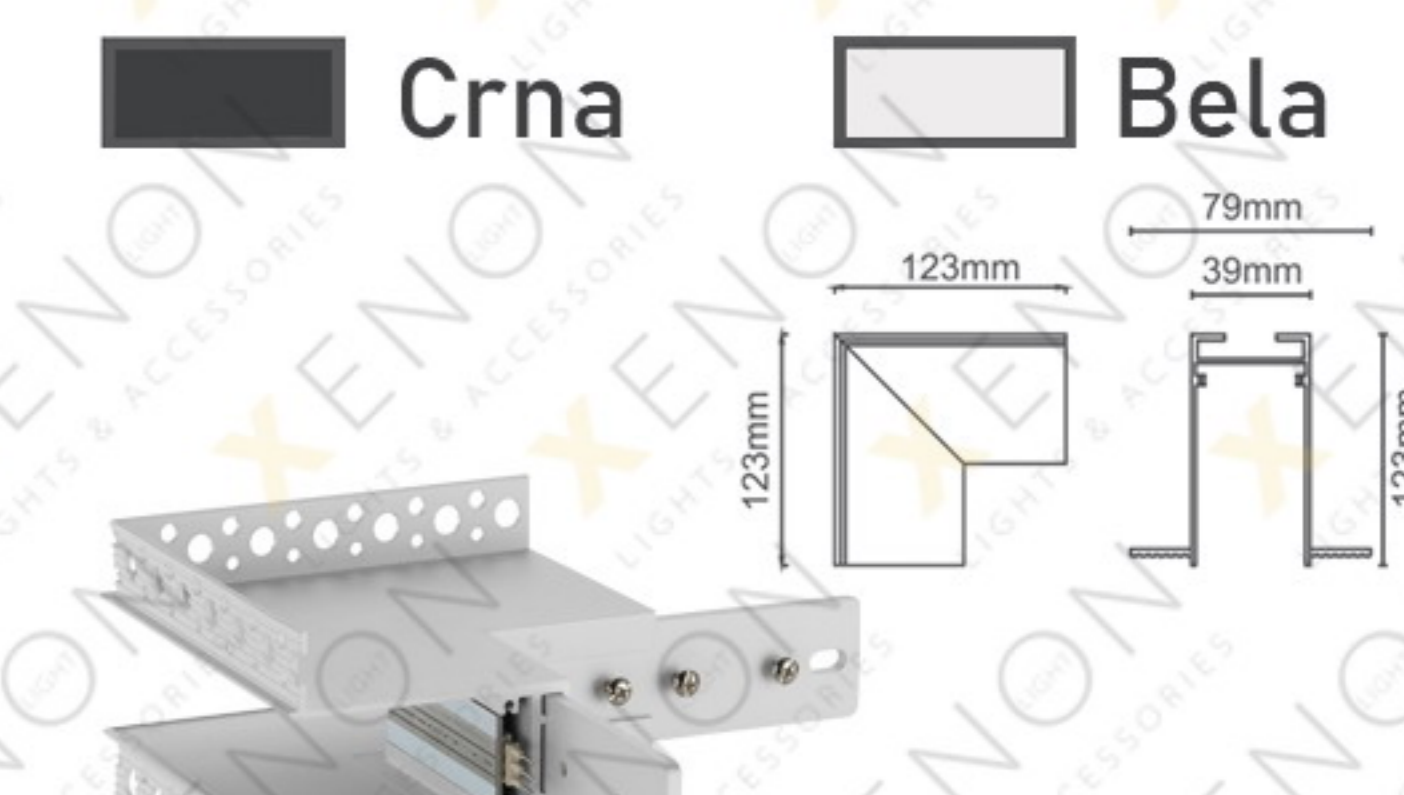
LWT-L02



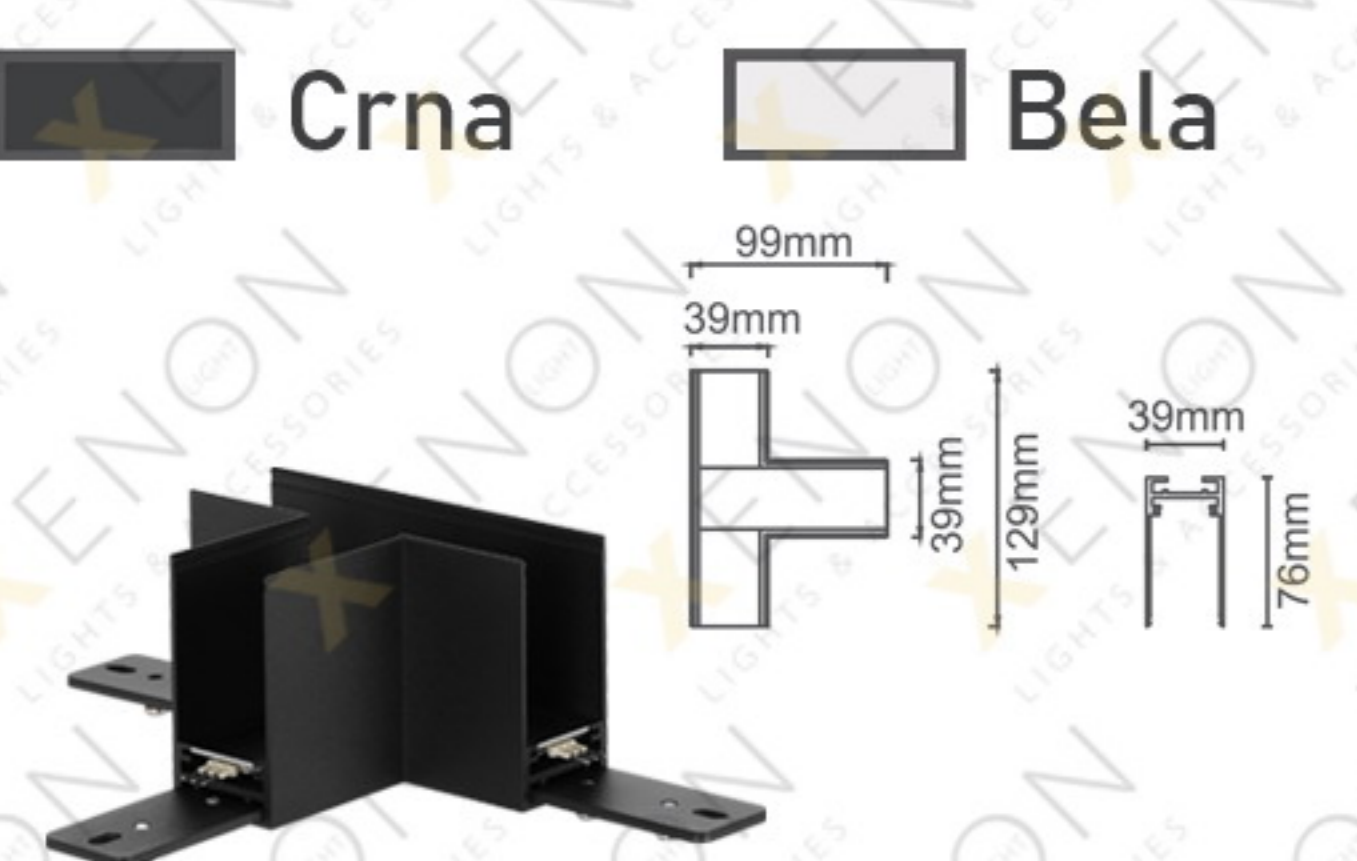
LWT-J02 inner



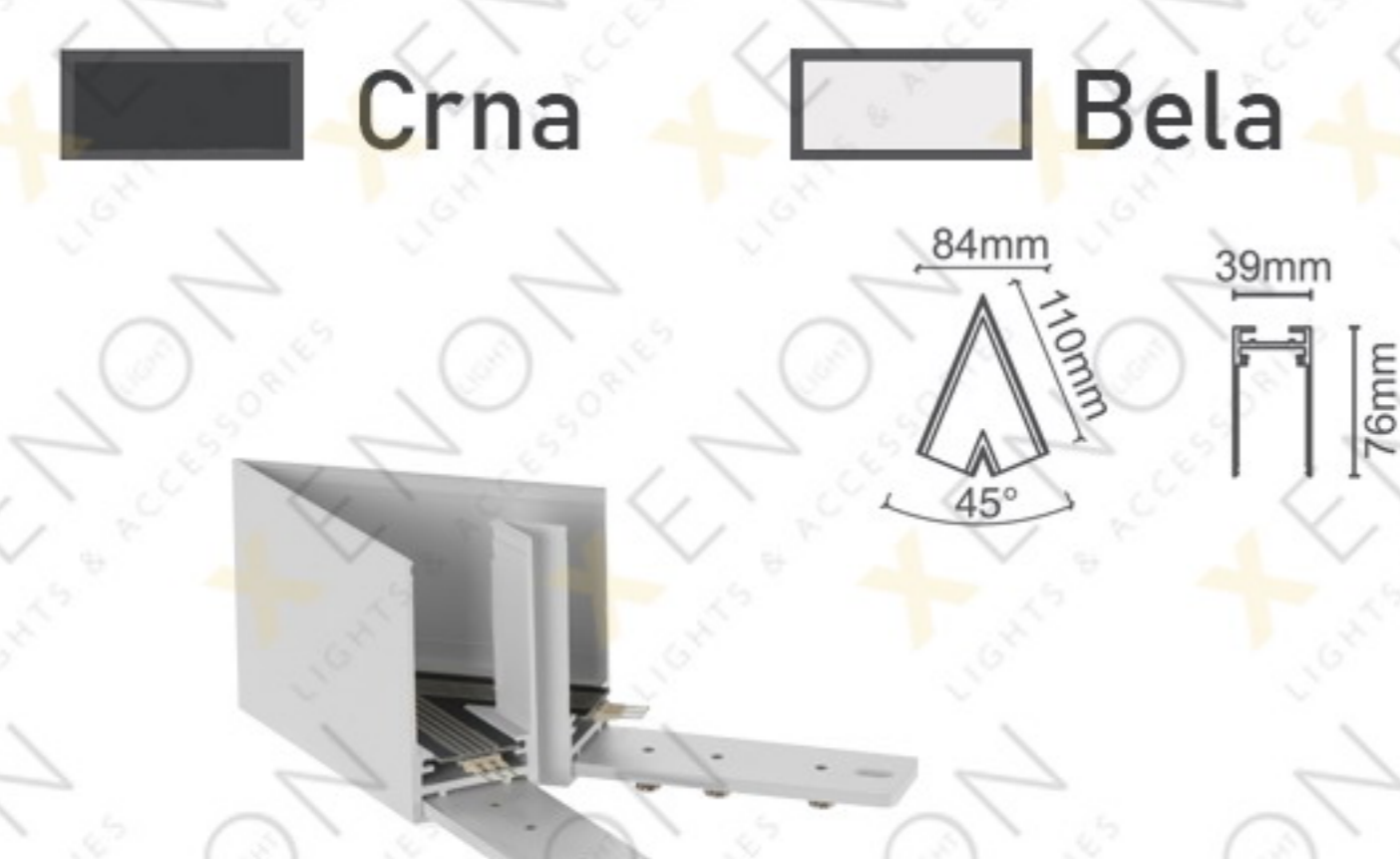
LWT-J02 outer



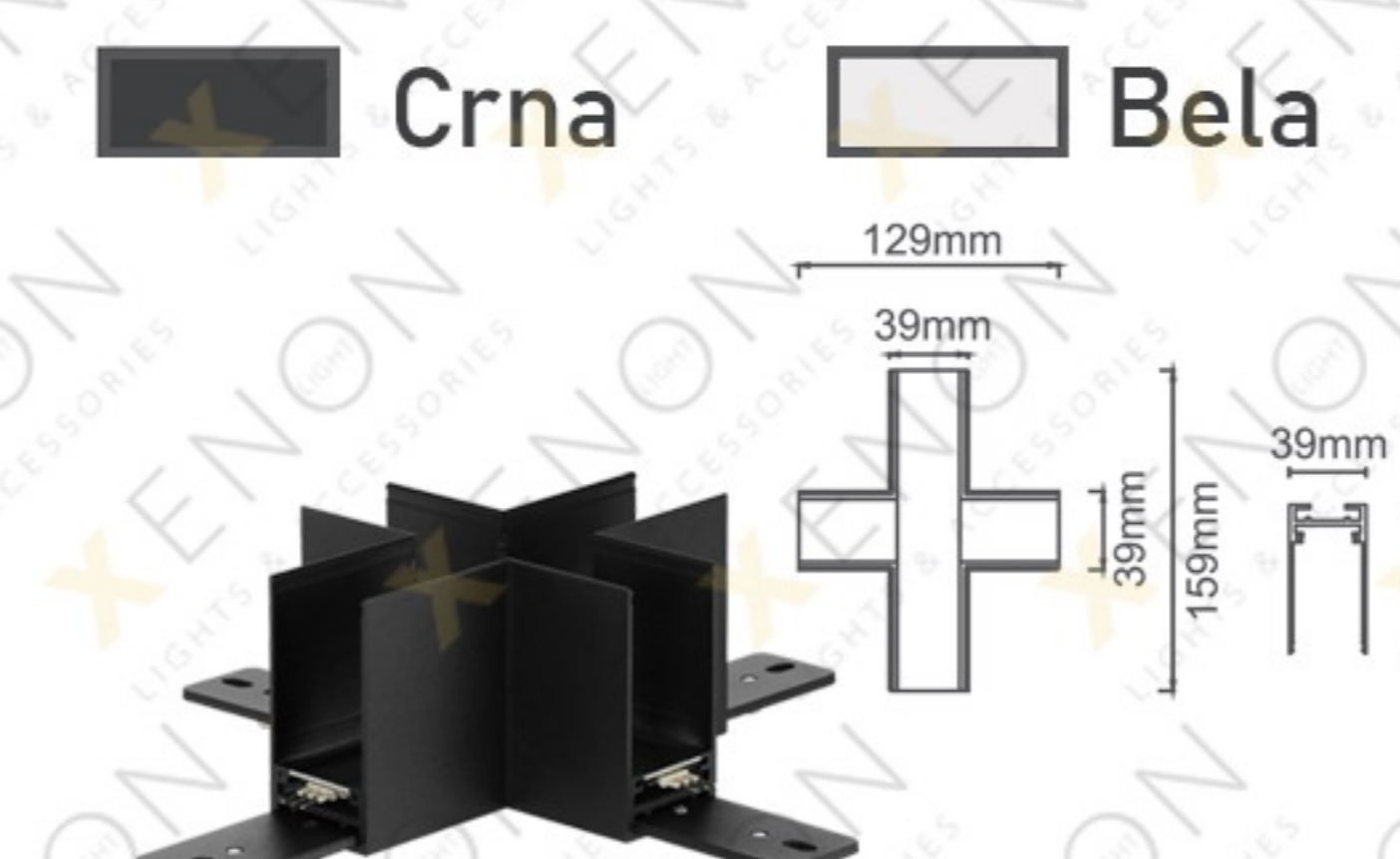
LST-L02 T



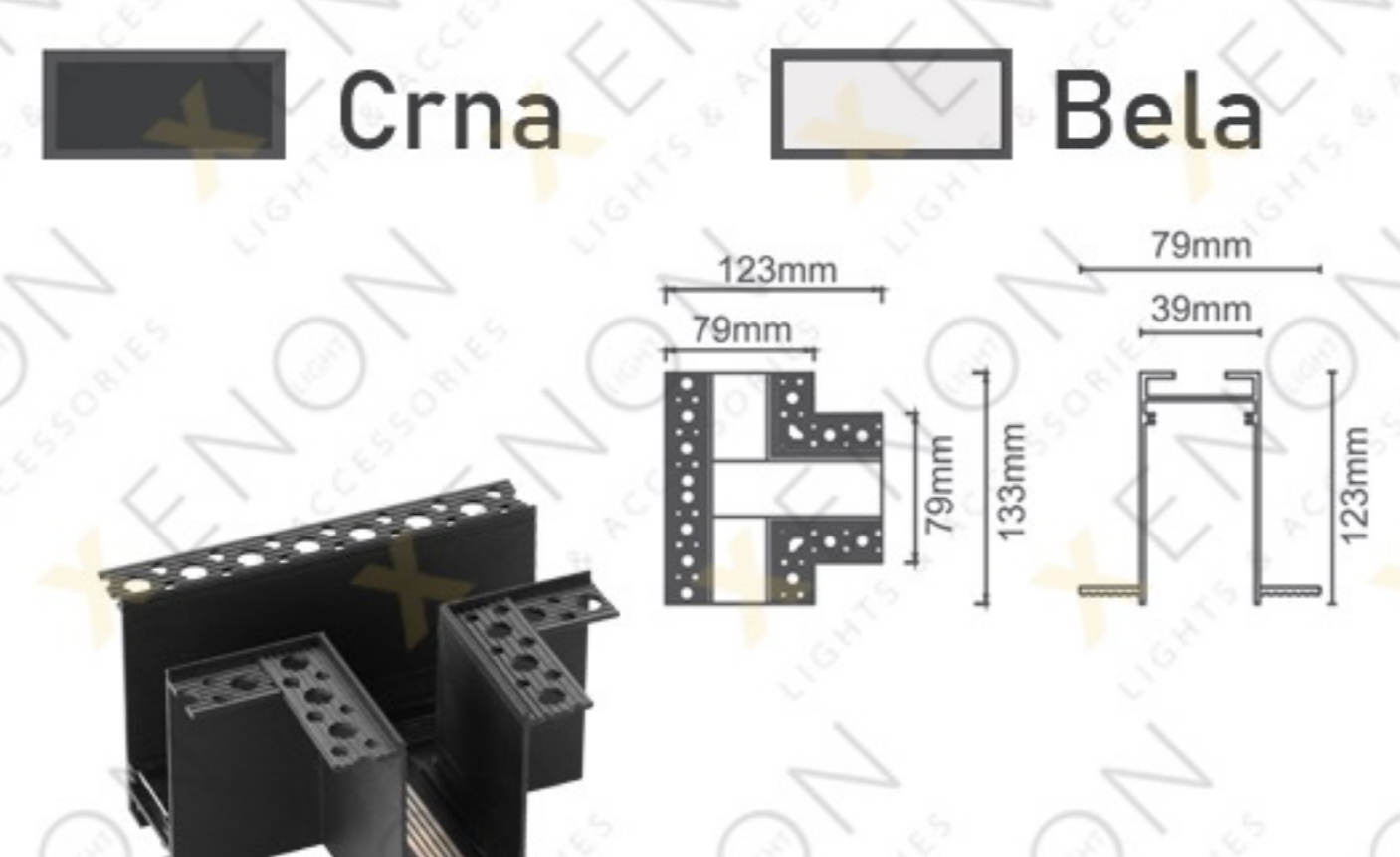
LST-L02 45D



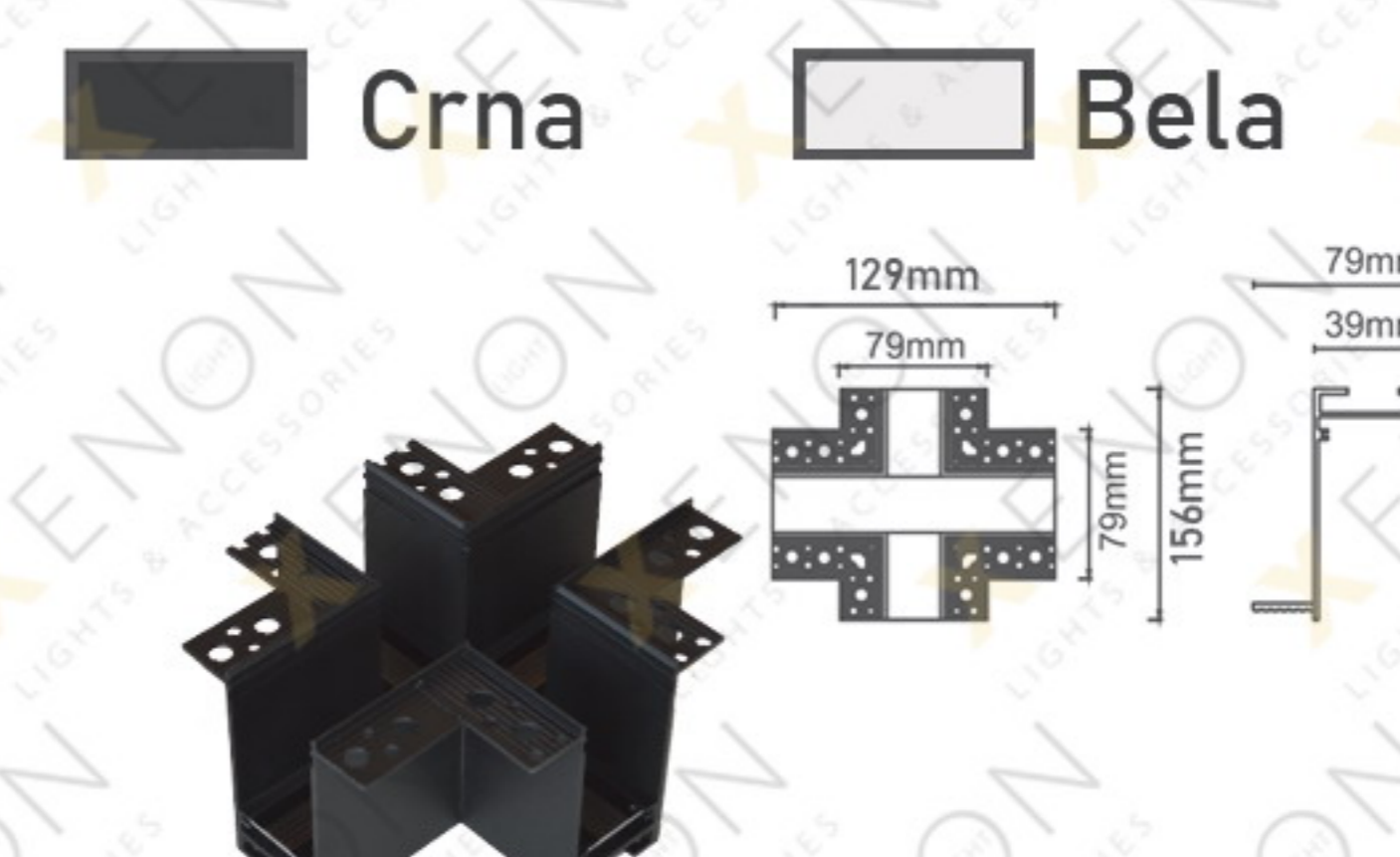
LST-L02 cross



LWT-L02 T



LWT-L02 cross





MAGNETNE 24V | LINEAR serija



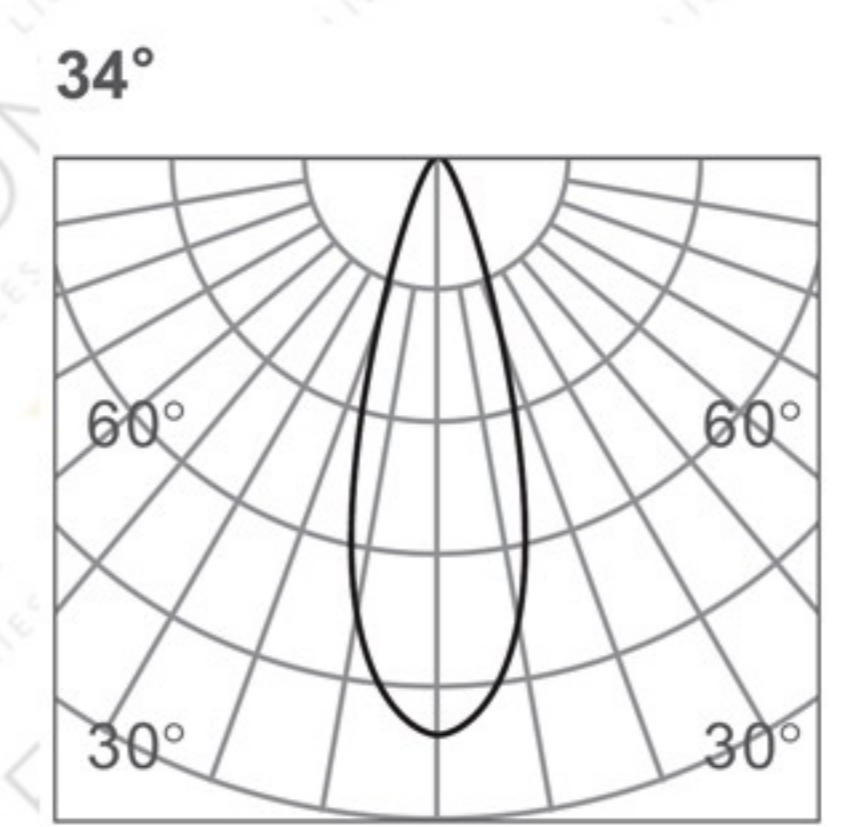
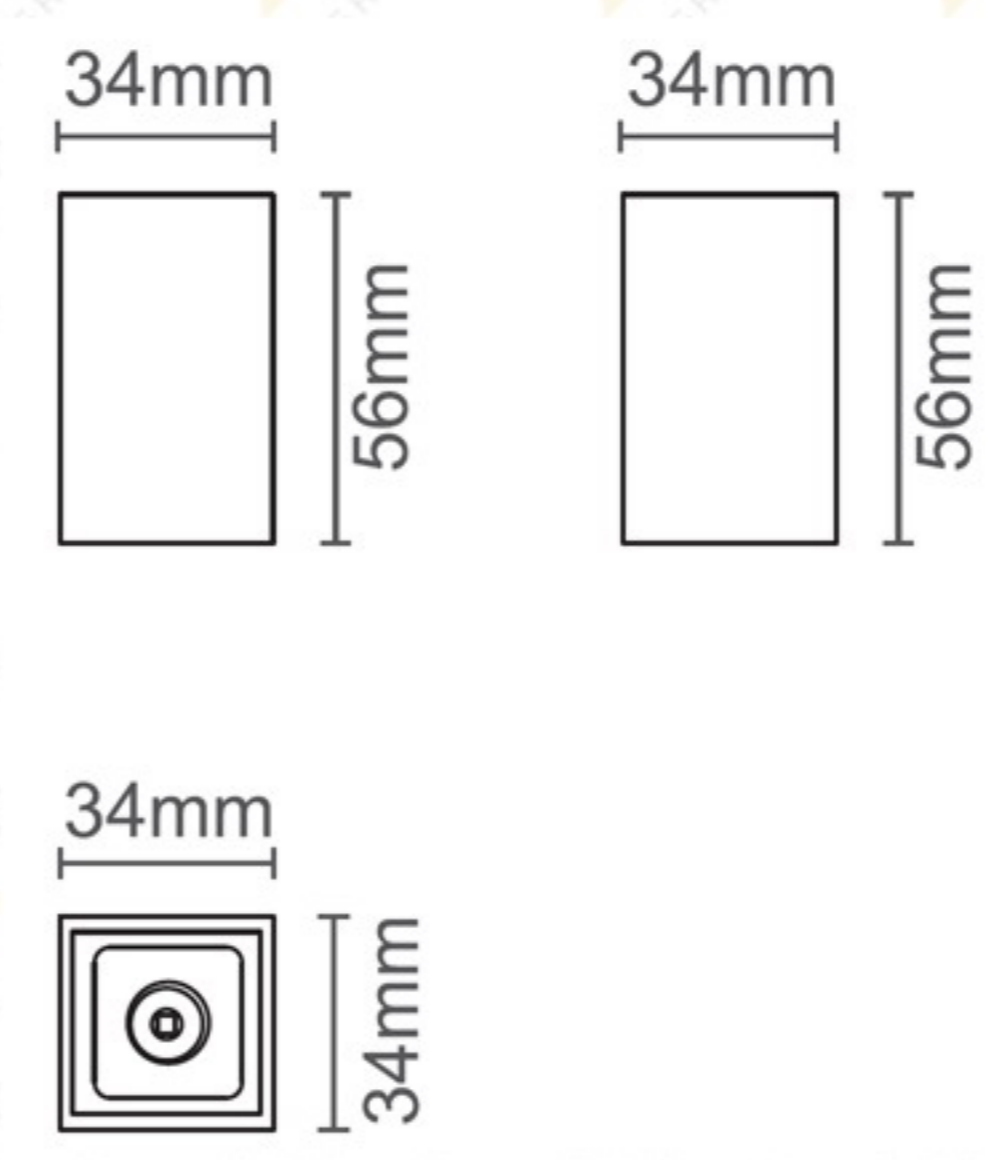
LSA8100S 2W 24V



SNAGA	CRI	CCT	UGAO	LUMEN
2W	>90	3000K	34°	126Lm

■ Crna □ Bela

DISTRIBUCIJA SVETLA



h(m)	E(lx)	Φ(m)
1	429	Φ0.71
2	107	Φ1.43
3	47	Φ2.15
4	26	Φ2.87
5	17	Φ3.59

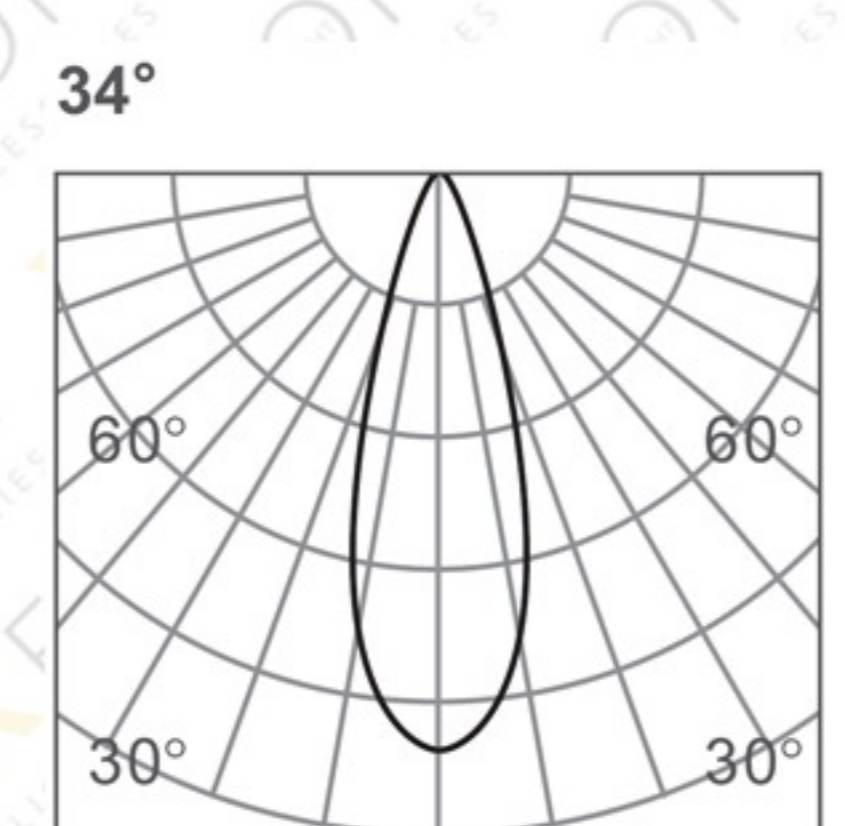
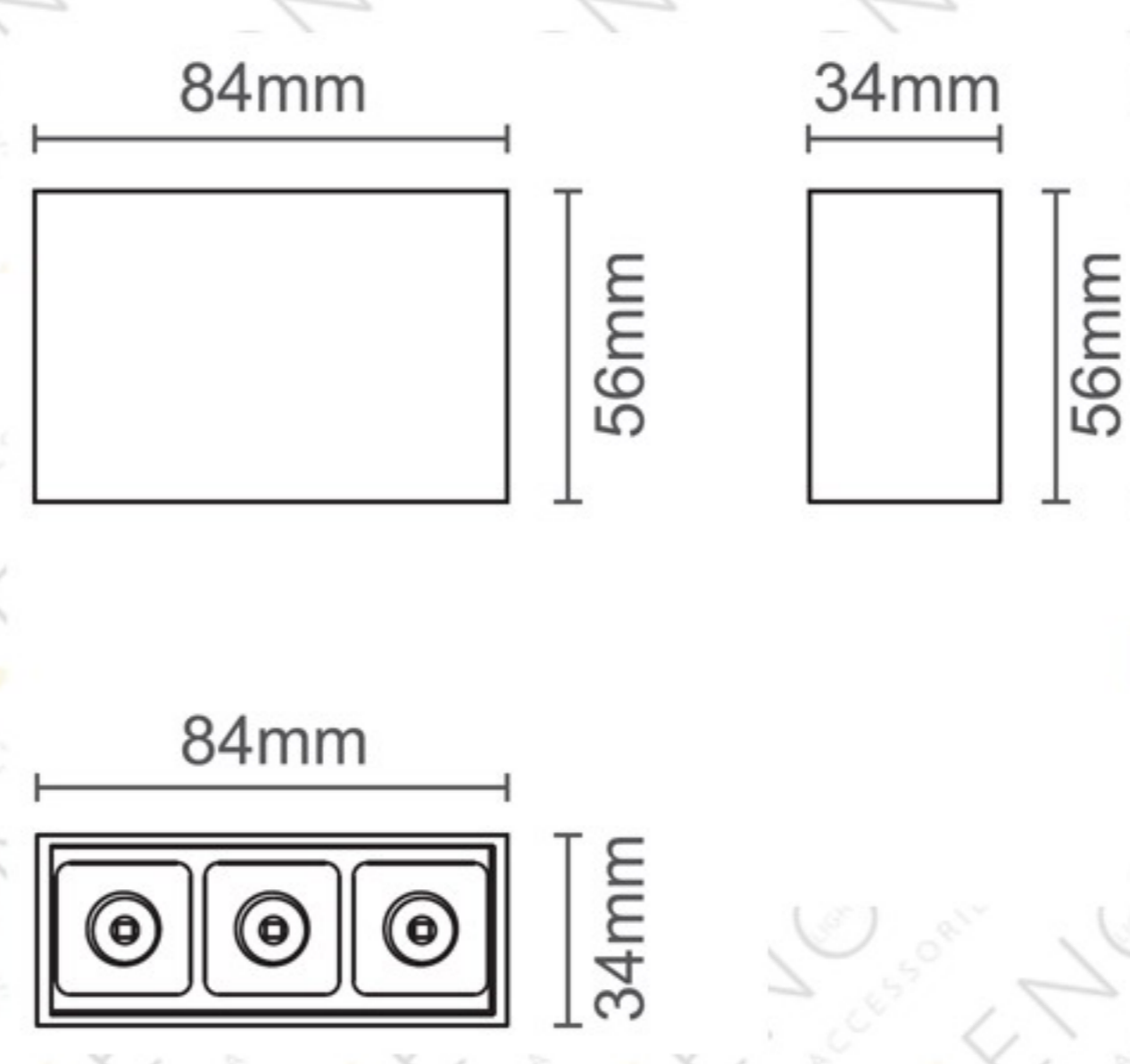
LSA8101S 4W 24V



SNAGA	CRI	CCT	UGAO	LUMEN
4W	>90	3000K	34°	382Lm

■ Crna □ Bela

DISTRIBUCIJA SVETLA



h(m)	E(lx)	Φ(m)
1	1238	Φ0.61
2	309	Φ1.22
3	137	Φ1.83
4	77	Φ2.44
5	49	Φ3.05

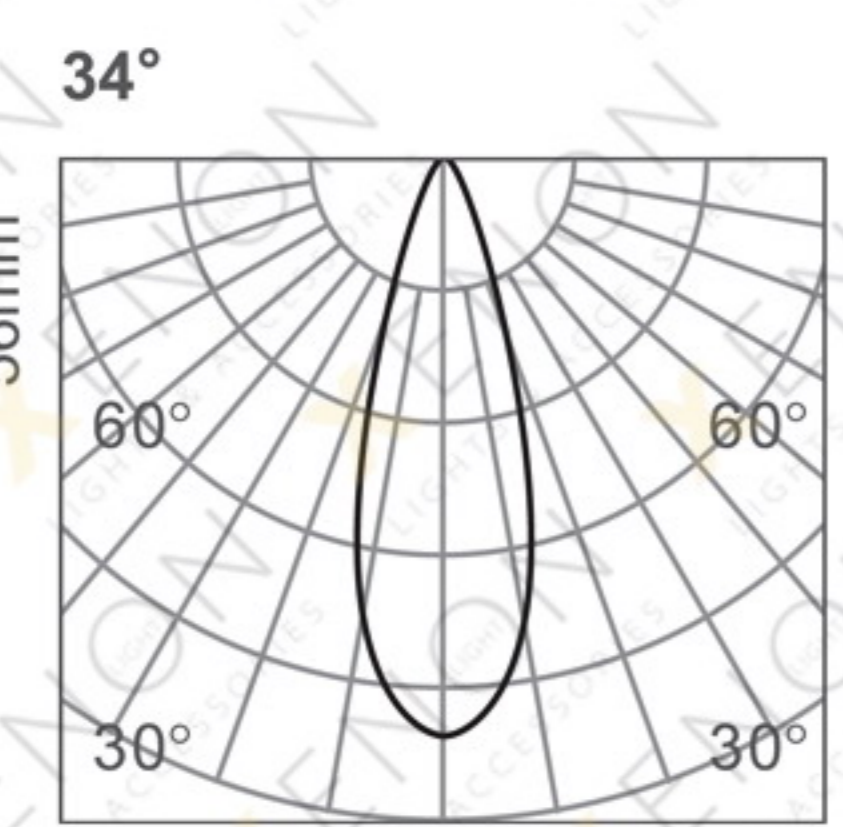
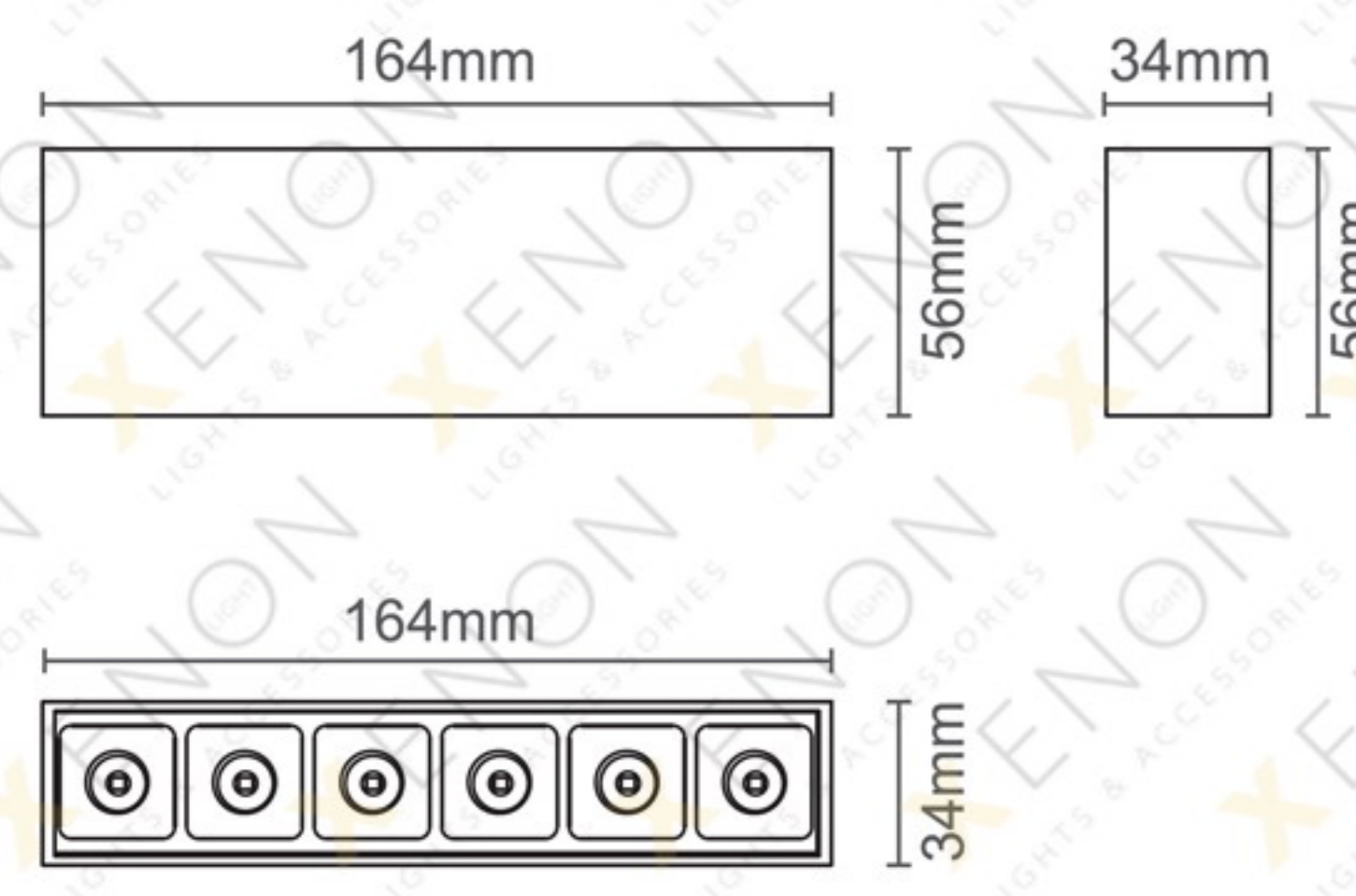
LSA8102S 8W 24V



SNAGA	CRI	CCT	UGAO	LUMEN
8W	>90	3000K	34°	733Lm

■ Crna □ Bela

DISTRIBUCIJA SVETLA



h(m)	E(lx)	Φ(m)
1	2660	Φ0.57
2	664	Φ1.14
3	295	Φ1.72
4	166	Φ2.29
5	106	Φ2.86

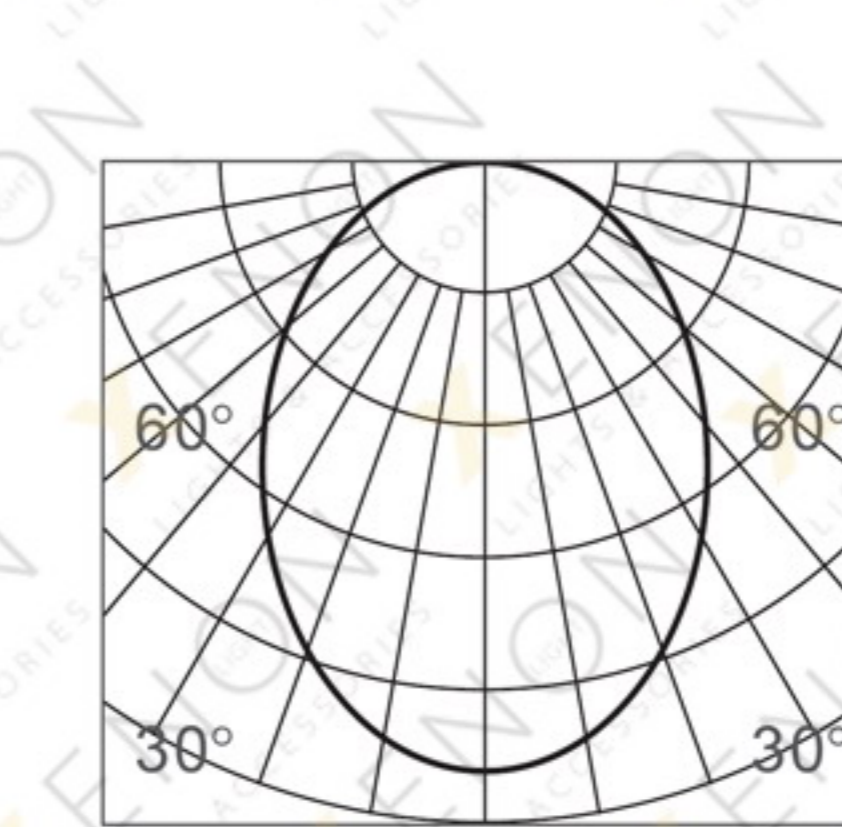
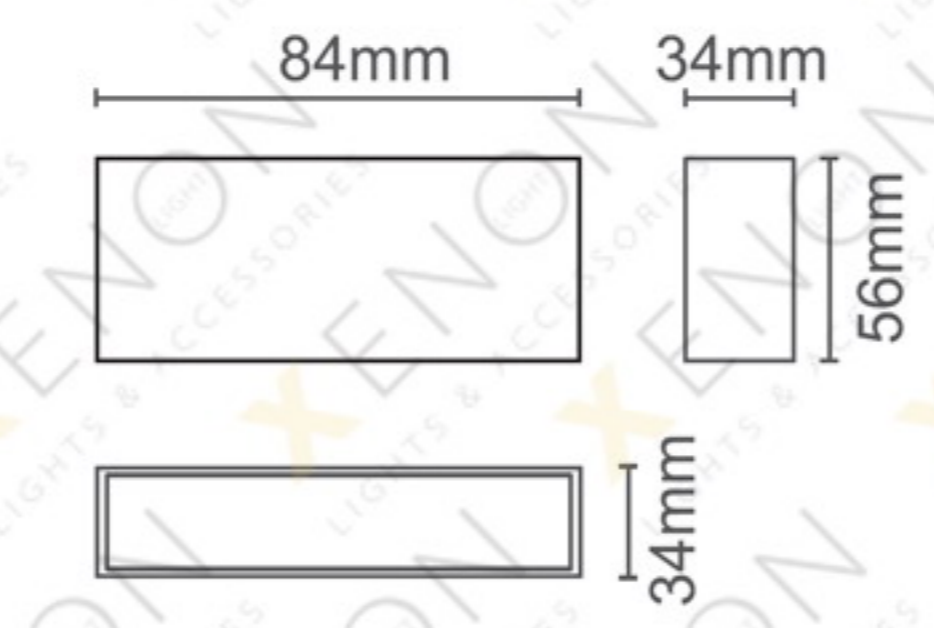
LSD3045R 4W 24V



SNAGA	CRI	CCT	UGAO	LUMEN
4W	>90	3000K	100°	233Lm

■ Crna □ Bela

DISTRIBUCIJA SVETLA



h(m)	E(lx)	Φ(m)
1	105.5	Φ2.60
2	26.3	Φ5.20
3	11.7	Φ7.80
4	6.5	Φ10.40
5	4.2	Φ13.00

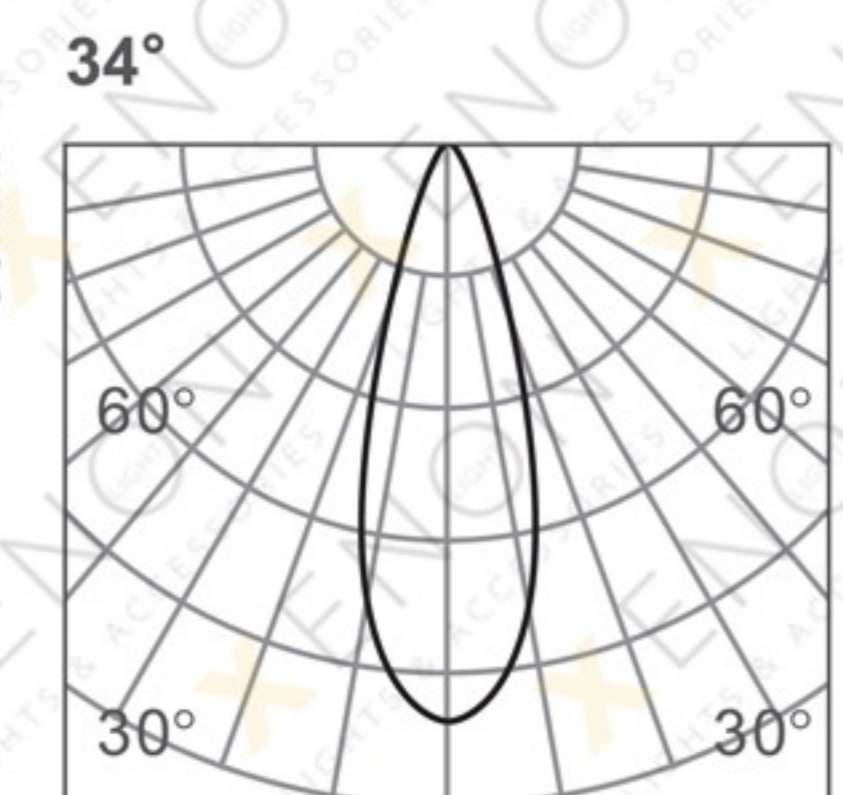
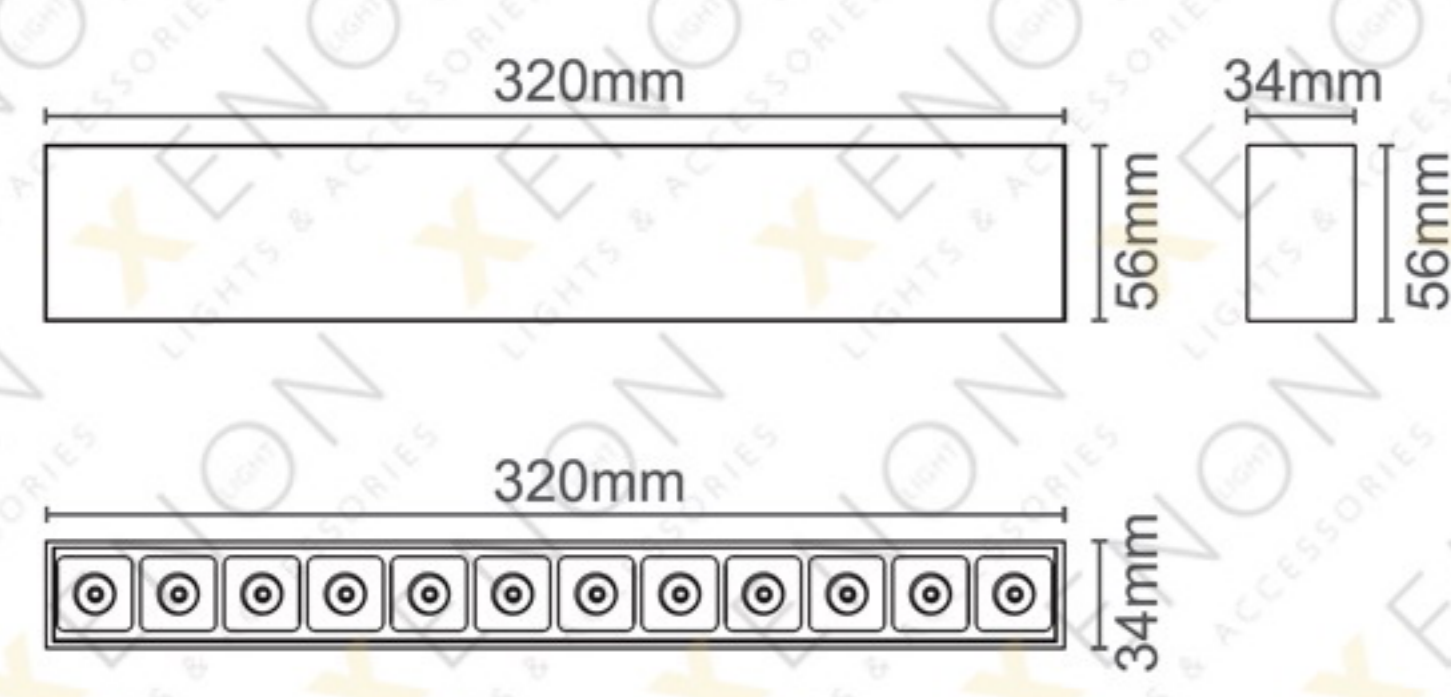
LSA8120S 16W 24V



SNAGA	CRI	CCT	UGAO	LUMEN
16W	>90	3000K	34°	1440Lm

■ Crna □ Bela

DISTRIBUCIJA SVETLA



h(m)	E(lx)	Φ(m)
1	5127	Φ0.55
2	1282	Φ1.11
3	569	Φ1.67
4	320	Φ2.23
5	205	Φ2.78

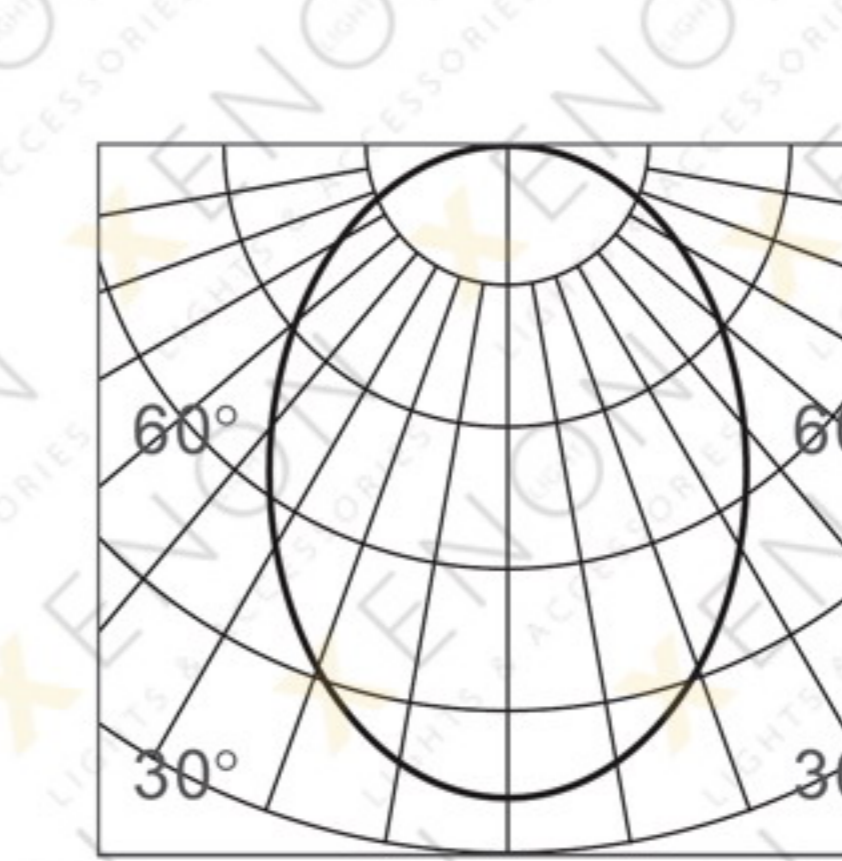
LSD3060R 7W 24V



SNAGA	CRI	CCT	UGAO	LUMEN
7W	>90	3000K	100°	488Lm

■ Crna □ Bela

DISTRIBUCIJA SVETLA



h(m)	E(lx)	Φ(m)
1	236	Φ2.59
2	59	Φ5.19
3	26	Φ7.79
4	14	Φ10.39
5	9	Φ12.99

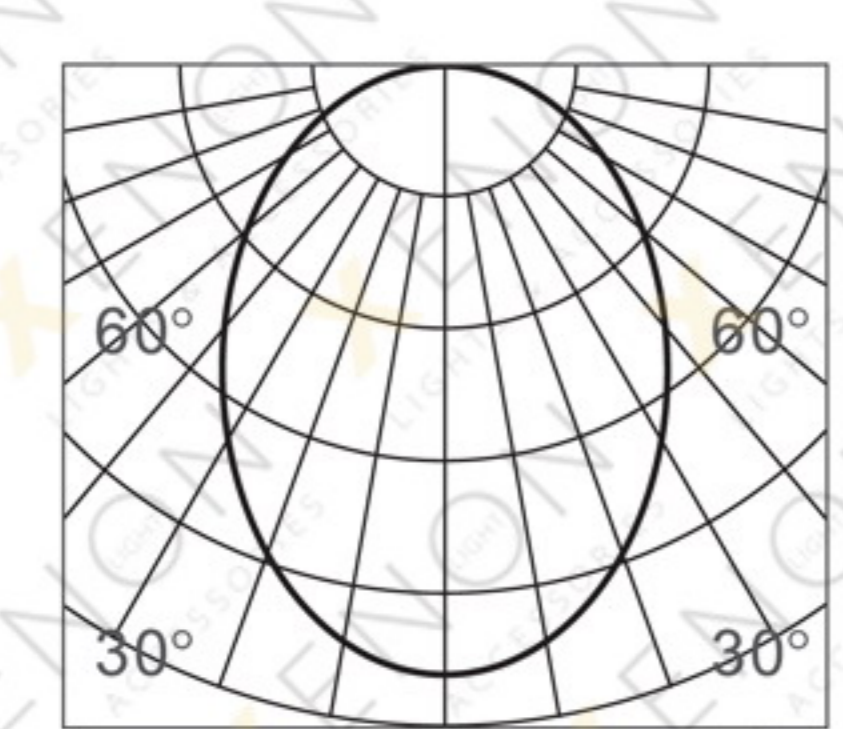
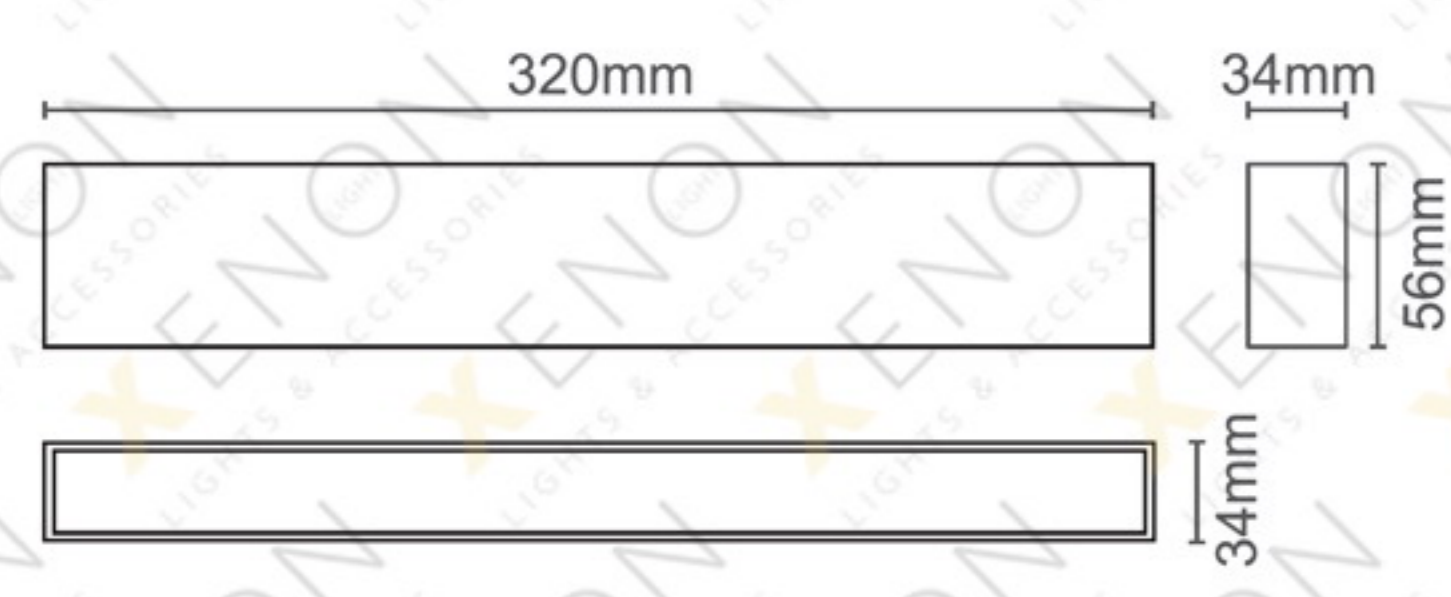
LLB2246S 13W 24V



SNAGA	CRI	CCT	UGAO	LUMEN
13W	>90	3000K	100°	895Lm

■ Crna □ Bela

DISTRIBUCIJA SVETLA



h(m)	E(lx)	Φ(m)
1	426	Φ2.51
2	106	Φ5.02
3	47	Φ7.53
4	26	Φ10.04
5	17	Φ12.55

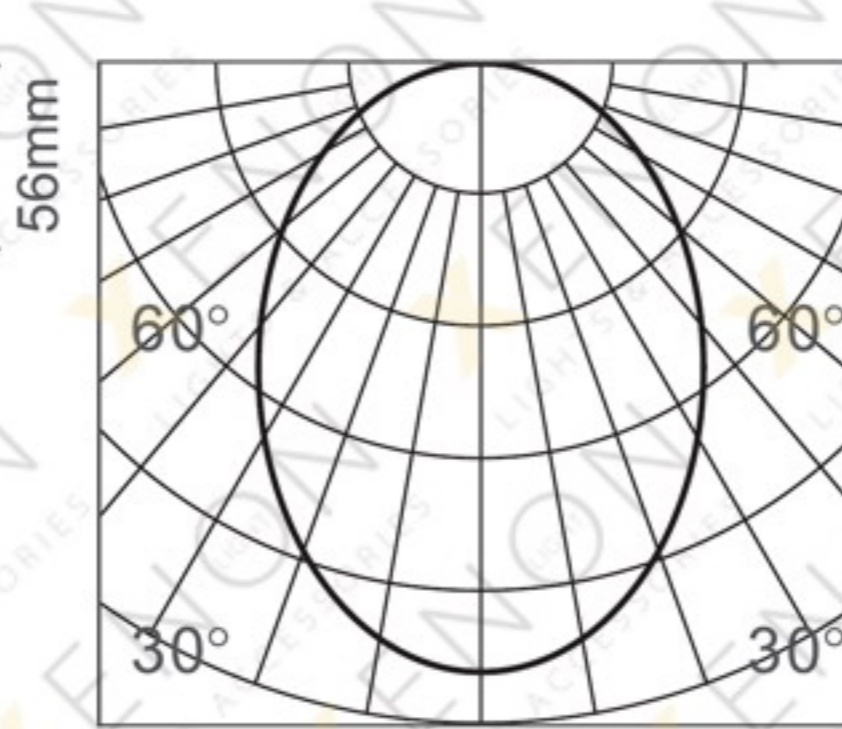
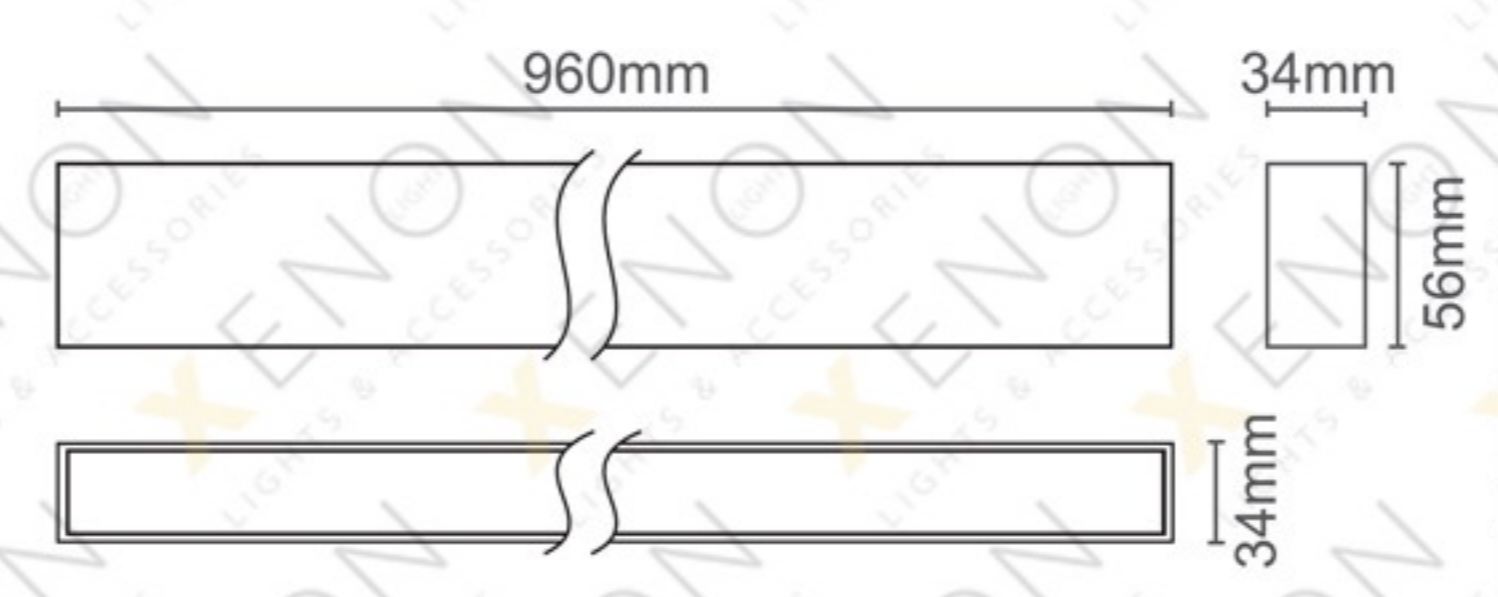
LSD3080R 39W 24V



SNAGA	CRI	CCT	UGAO	LUMEN
39W	>90	3000K	100°	2550Lm

■ Crna □ Bela

DISTRIBUCIJA SVETLA



h(m)	E(lx)	Φ(m)
1	889	Φ2.23
2	222	Φ4.46
3	98	Φ6.69
4	55	Φ8.92
5	35	Φ11.15

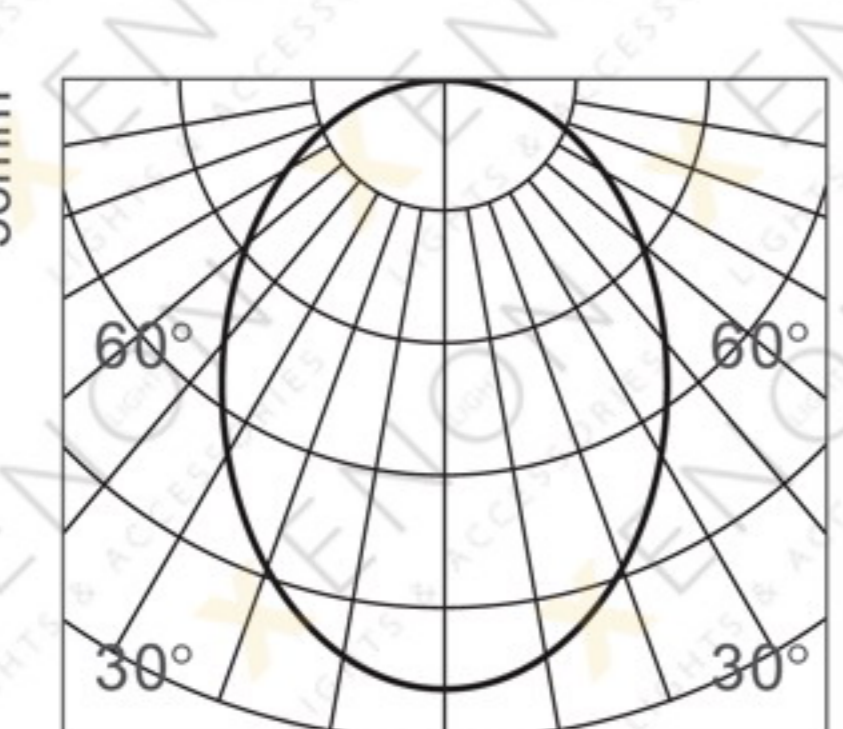
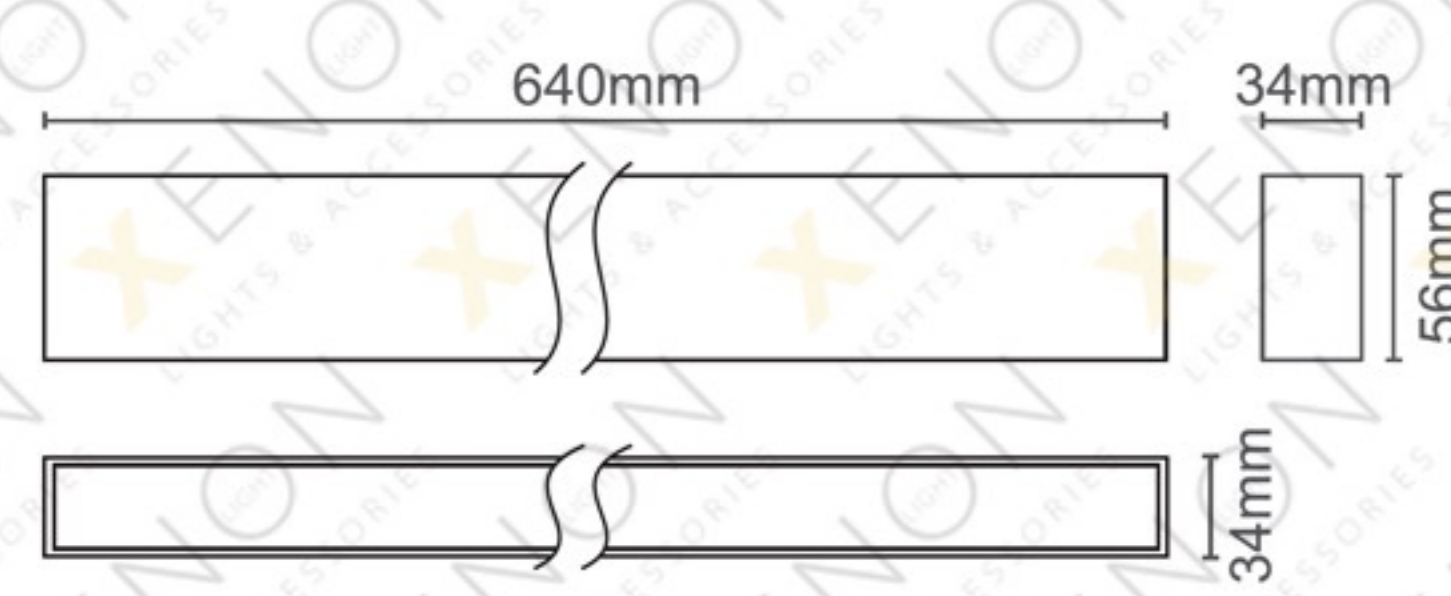
LLB2292S 26W 24V



SNAGA	CRI	CCT	UGAO	LUMEN
26W	>90	3000K	100°	1720Lm

■ Crna □ Bela

DISTRIBUCIJA SVETLA



h(m)	E(lx)	Φ(m)
1	479	Φ2.65
2	119	Φ5.30
3	53	Φ7.95
4	29	Φ10.60
5	19	Φ13.25





MAGNETNE 24V | FOLD serija



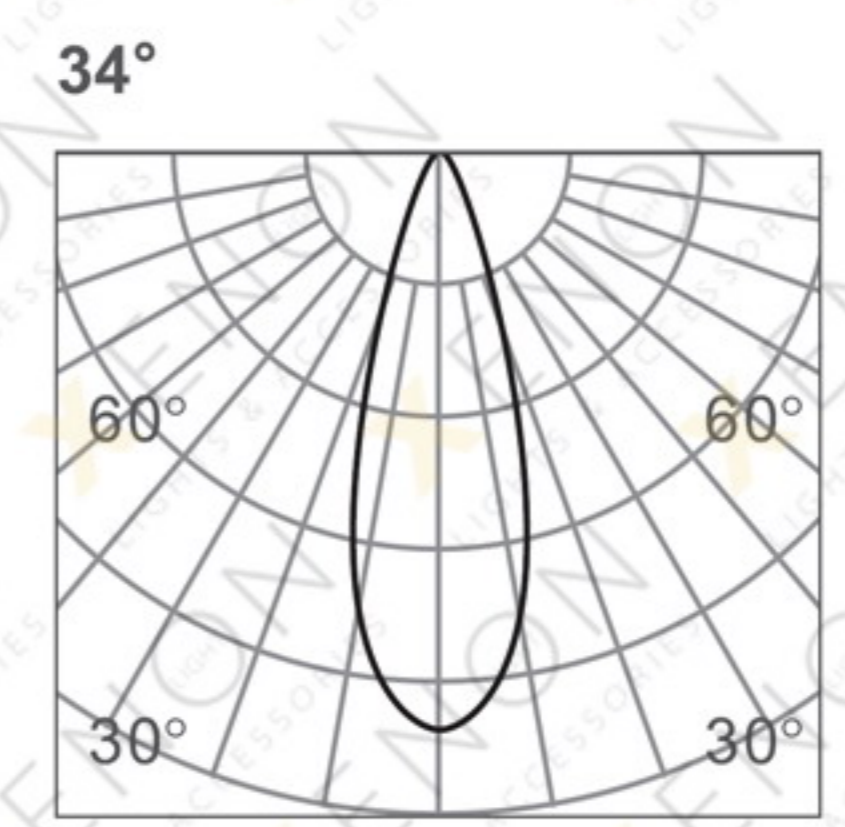
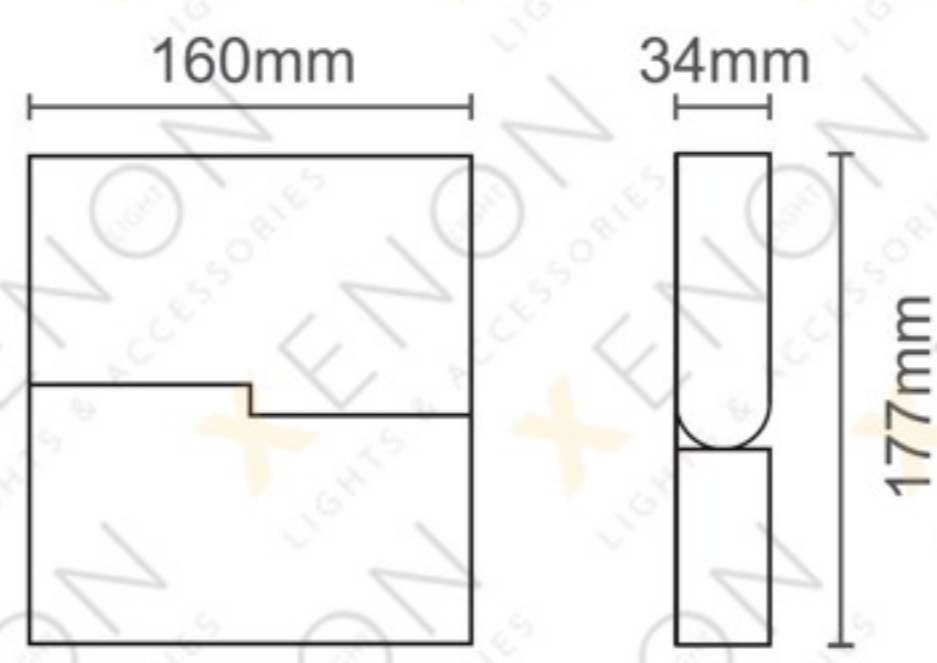
LSA7080R 8W 24V



SNAGA	CRI	CCT	UGAO	LUMEN
8W	>90	3000K	34°	733Lm

■ Crna □ Bela

DISTRIBUCIJA SVETLA



h(m)	E(lx)	Φ(m)
1	2660	Φ0.57
2	664	Φ1.14
3	295	Φ1.72
4	166	Φ2.29
5	106	Φ2.86

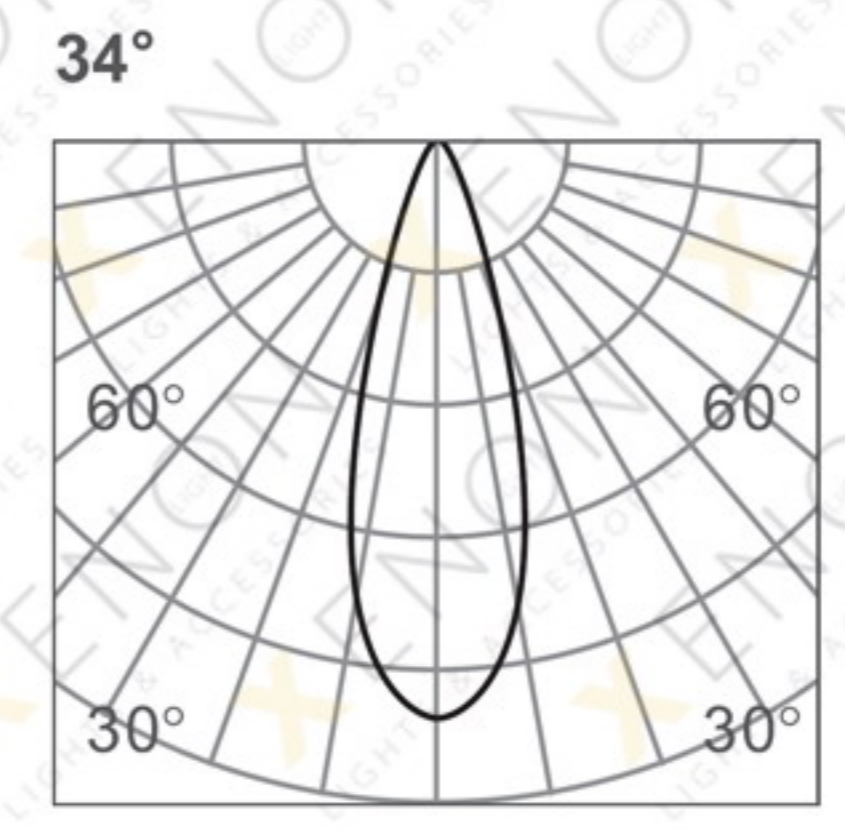
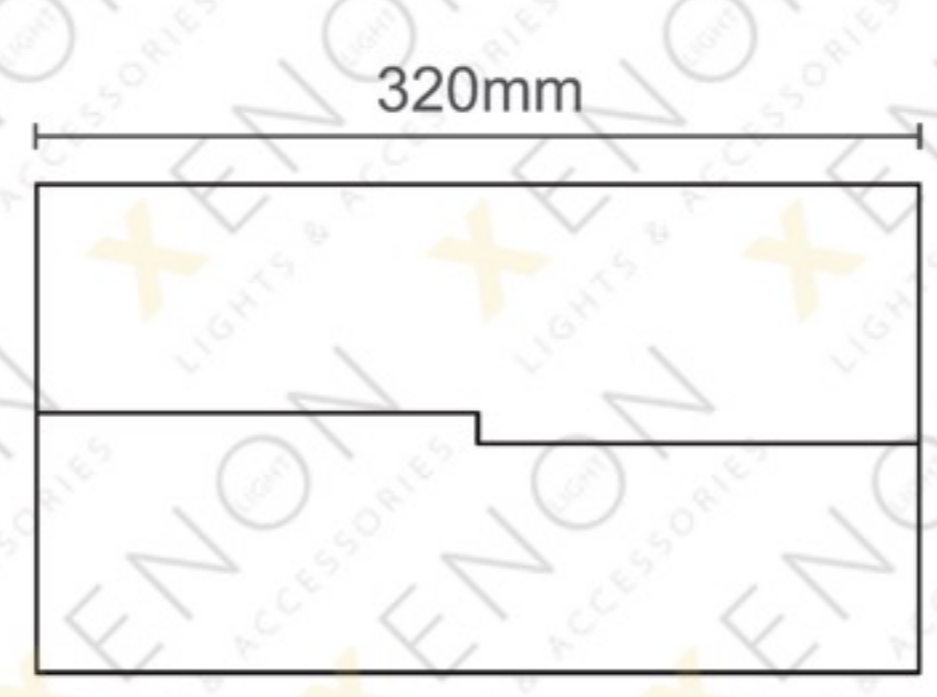
LSA7060R 16W 24V



SNAGA	CRI	CCT	UGAO	LUMEN
16W	>90	3000K	34°	1440Lm

■ Crna □ Bela

DISTRIBUCIJA SVETLA



h(m)	E(lx)	Φ(m)
1	5127	Φ0.55
2	1282	Φ1.11
3	569	Φ1.67
4	320	Φ2.23
5	205	Φ2.78

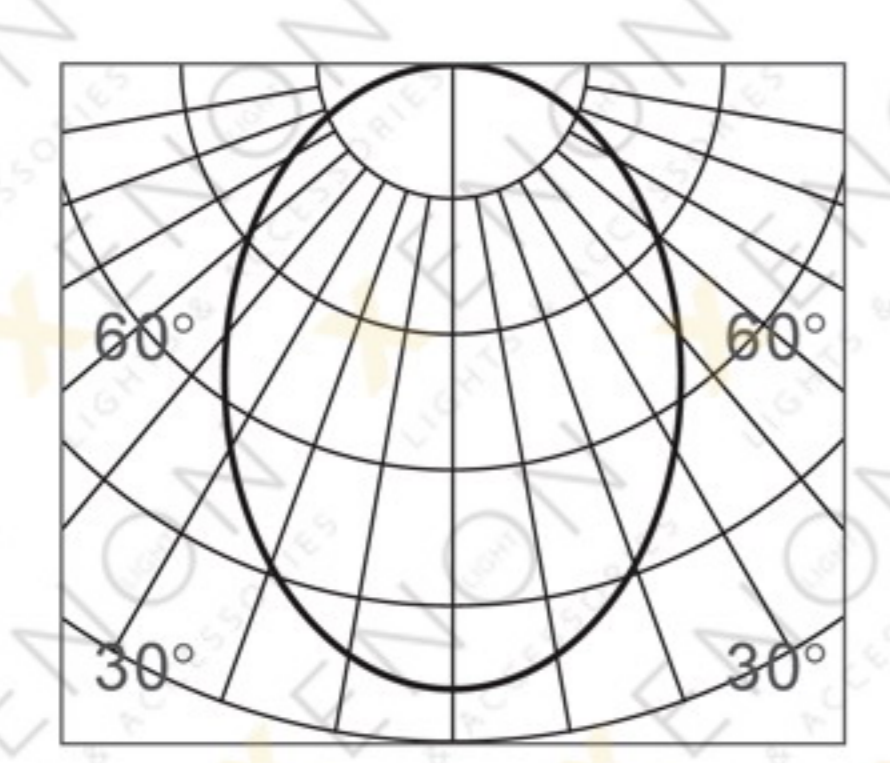
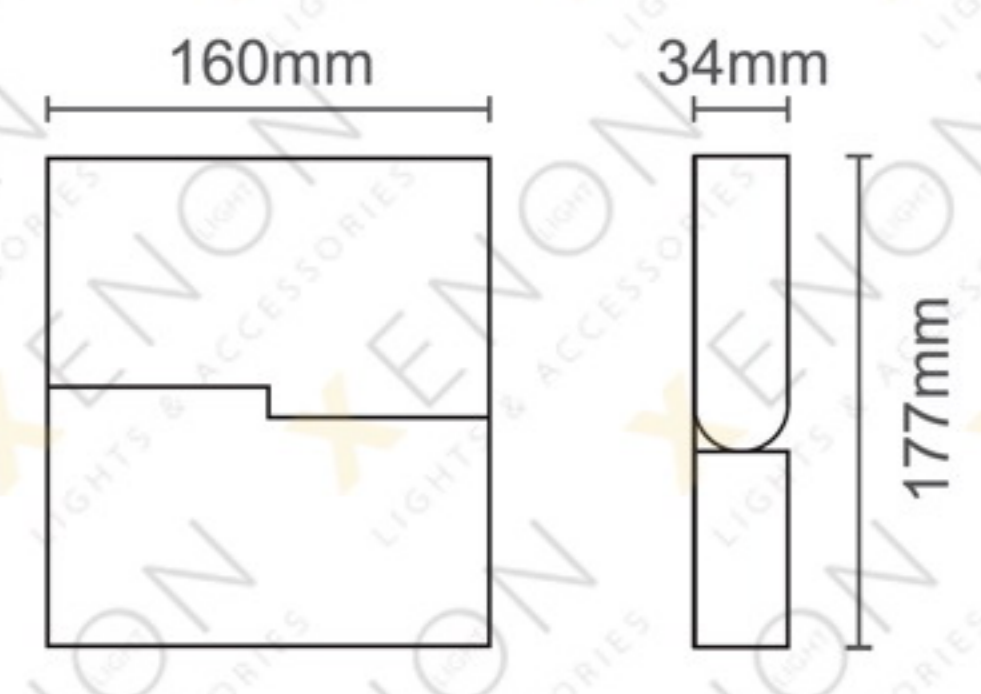
LSB2223S 8W 24V



SNAGA	CRI	CCT	UGAO	LUMEN
8W	>90	3000K	100°	488Lm

■ Crna □ Bela

DISTRIBUCIJA SVETLA



h(m)	E(lx)	Φ(m)
1	236	Φ2.59
2	59	Φ5.19
3	26	Φ7.79
4	14	Φ10.39
5	9	Φ12.99



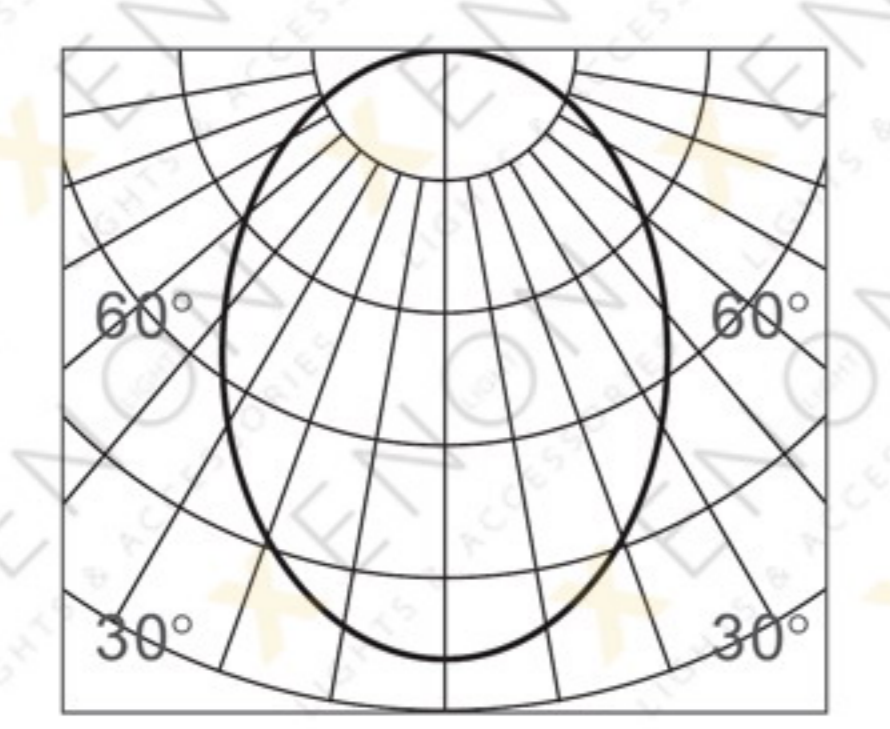
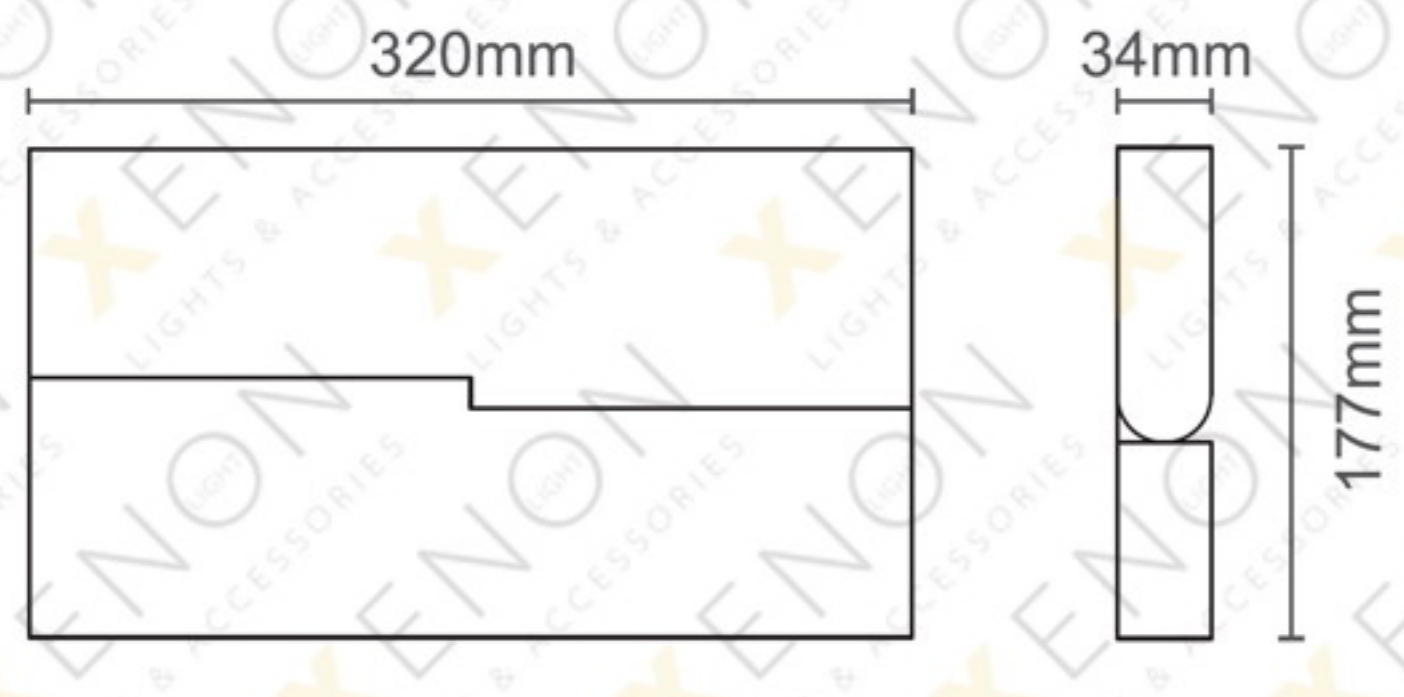
LSB2246S 16W 24V



SNAGA	CRI	CCT	UGAO	LUMEN
16W	>90	3000K	100°	1270Lm

■ Crna □ Bela

DISTRIBUCIJA SVETLA



h(m)	E(lx)	Φ(m)
1	234	Φ2.47
2	58	Φ4.95
3	26	Φ7.43
4	14	Φ9.90
5	9	Φ12.38

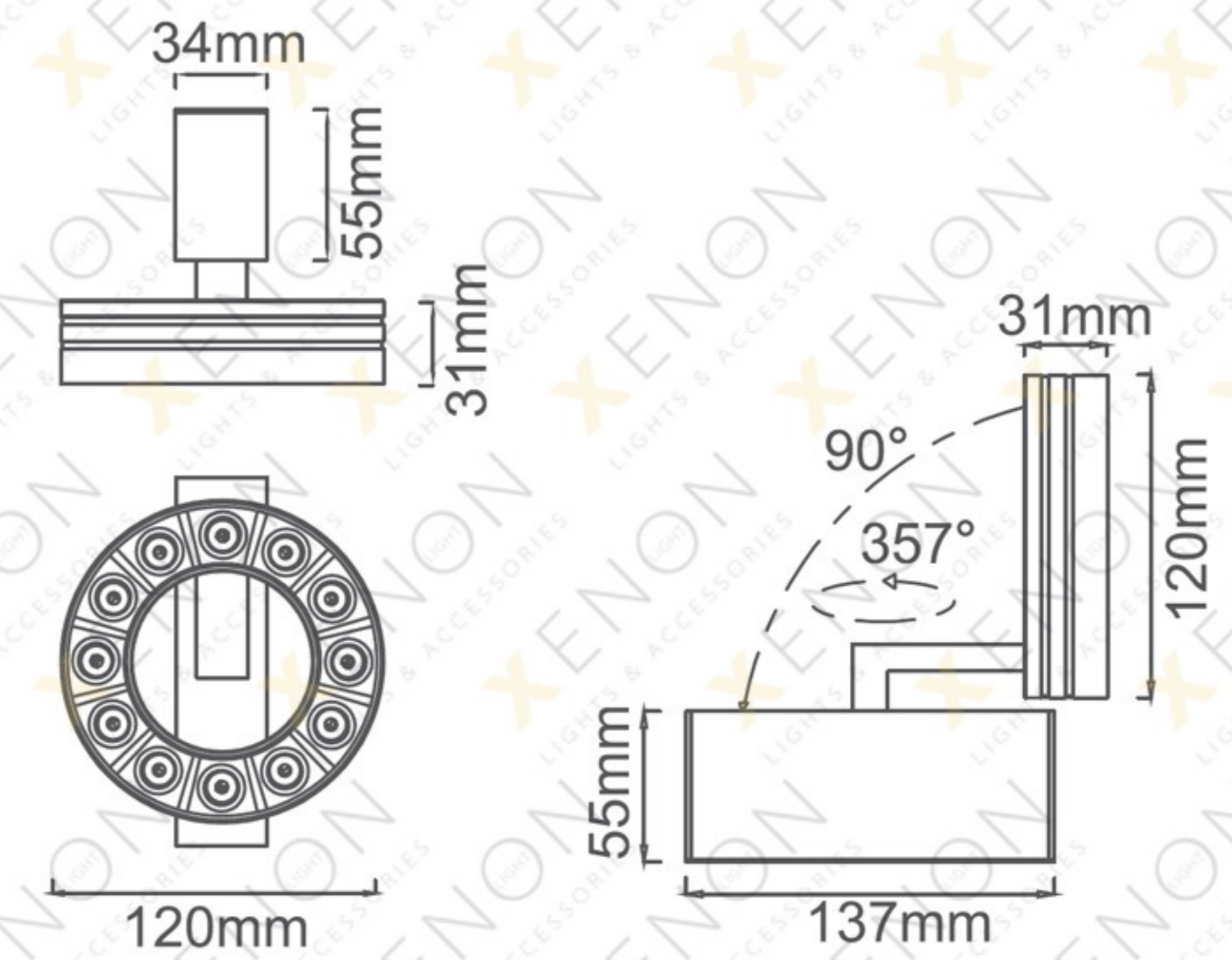


LSA9080R 12W 24V



SNAGA	CRI	CCT	UGAO	LUMEN
12W	>90	3000K	34°	950Lm

■ Crna □ Bela



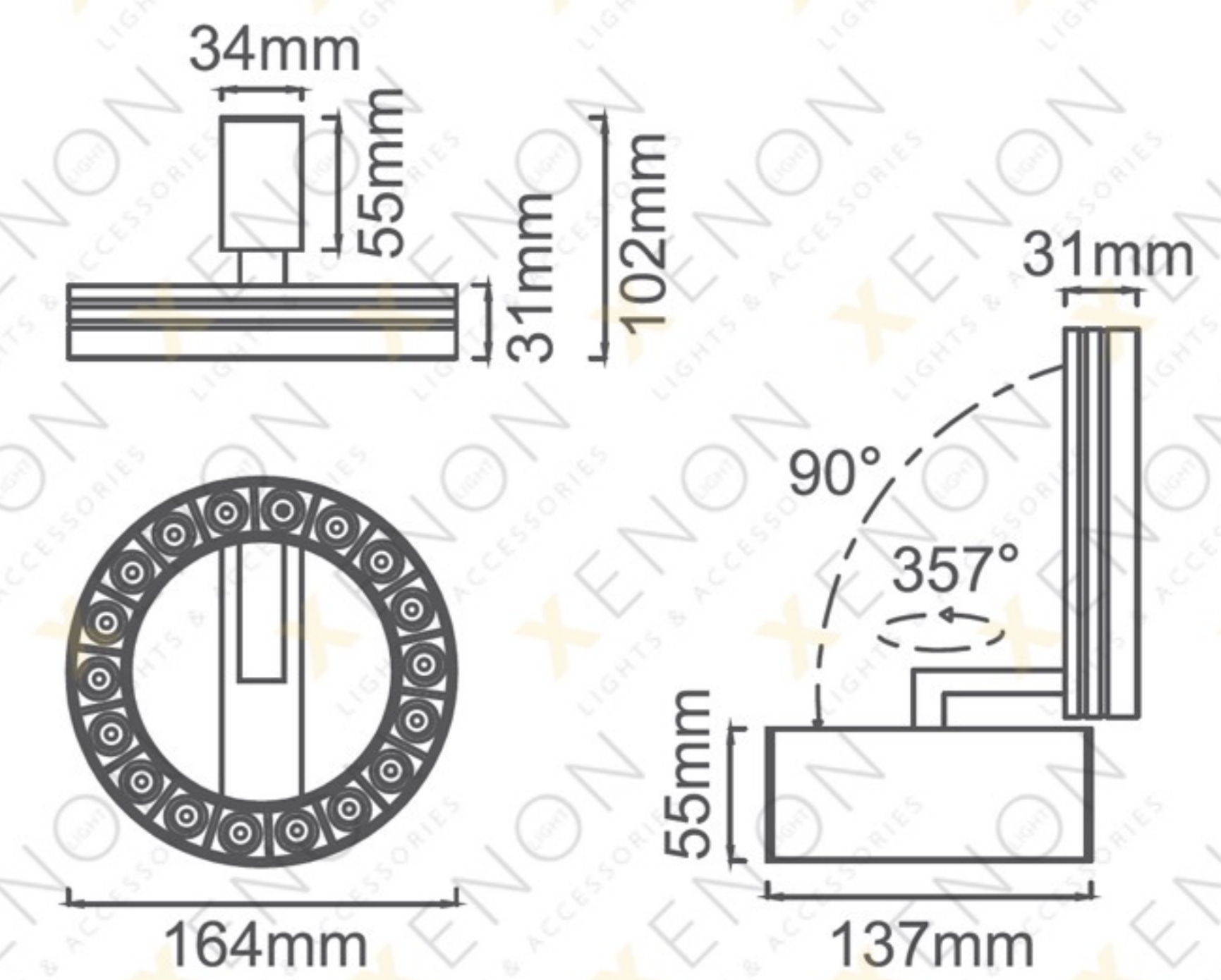
LSA9100R 18W 24V

MAGNETNE 24V | ROUND serija



SNAGA	CRI	CCT	UGAO	LUMEN
18W	>90	3000K	34°	1562Lm

■ Crna □ Bela

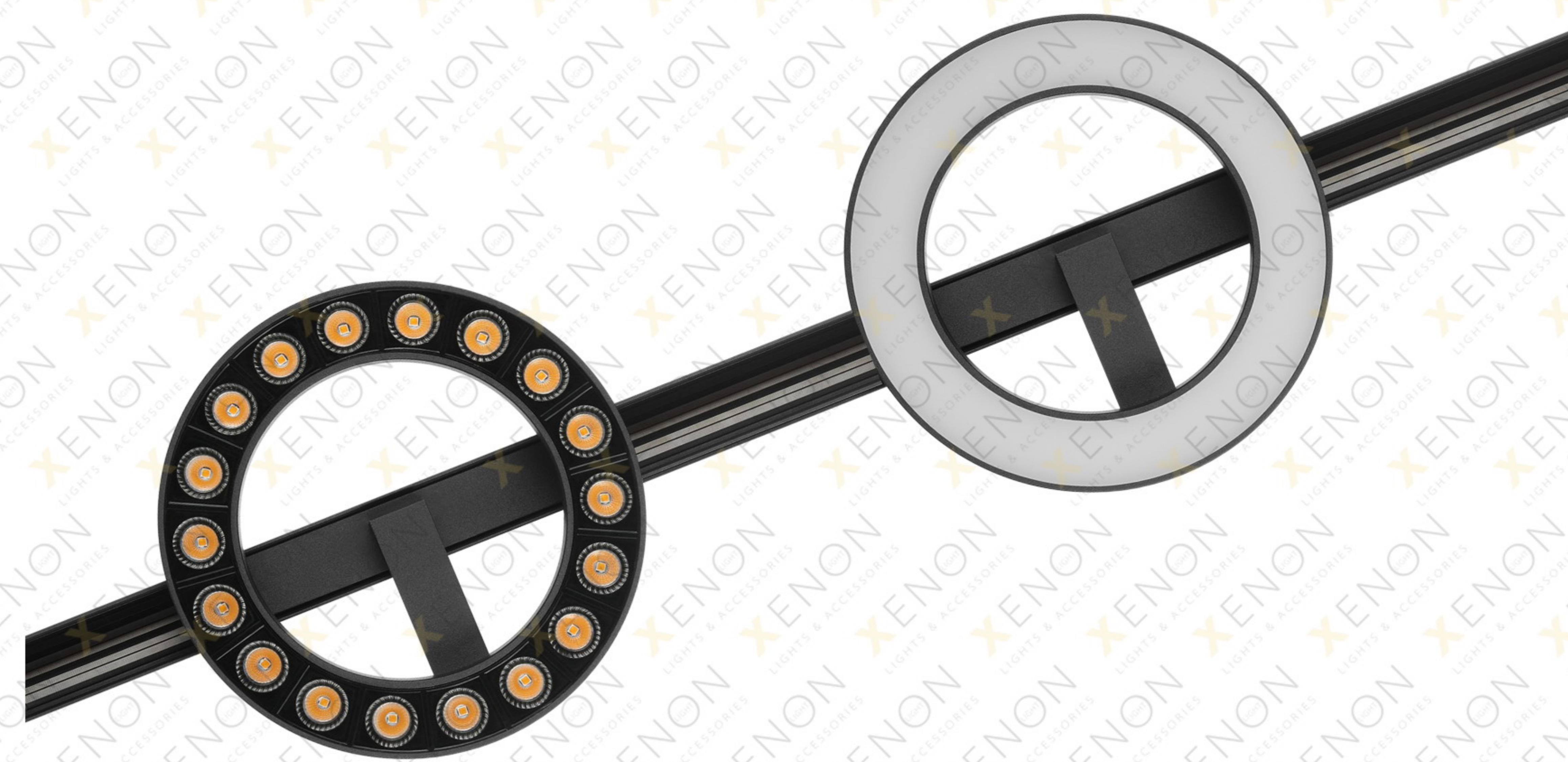
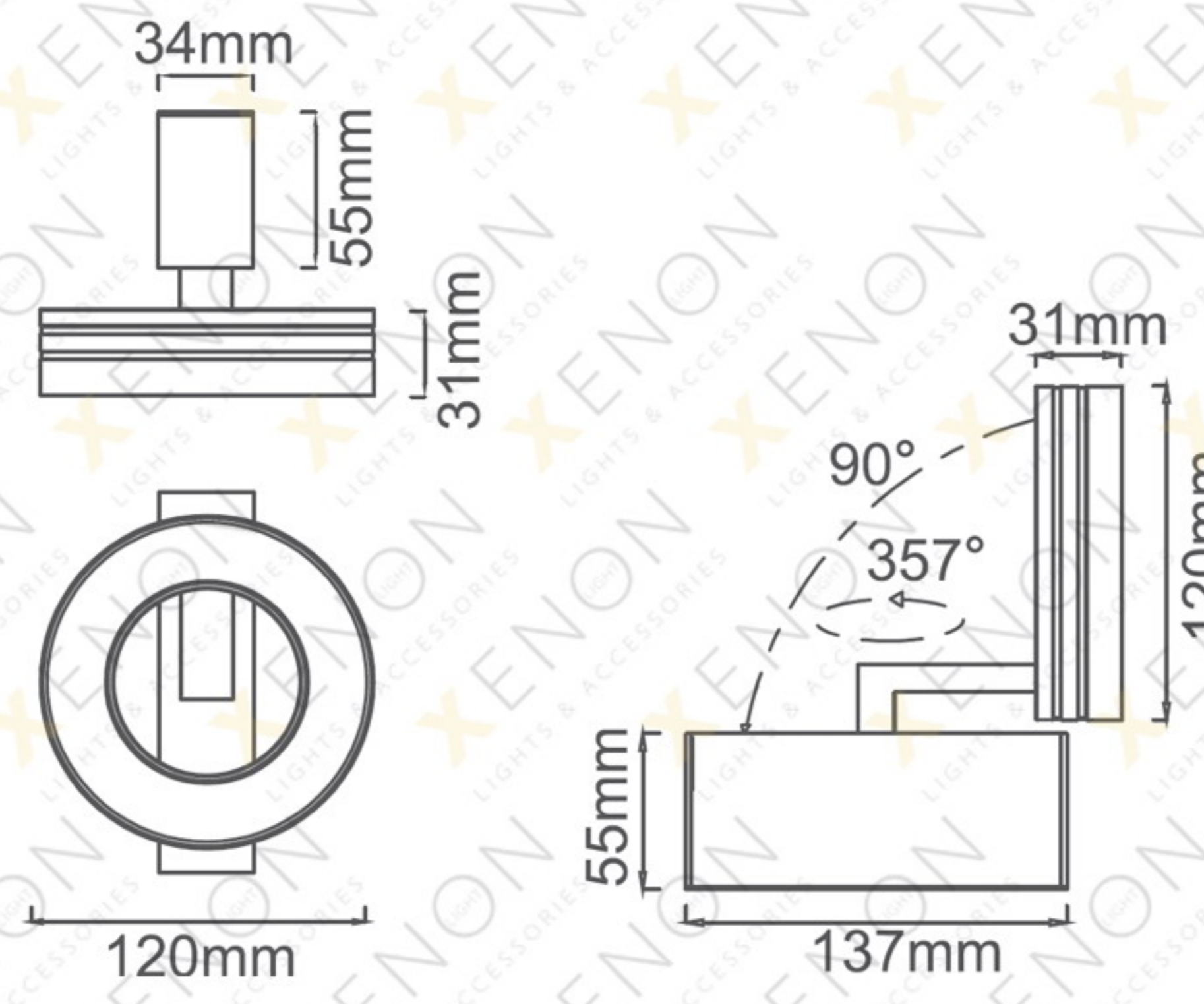


LSA5080R 12W 24V



SNAGA	CRI	CCT	UGAO	LUMEN
12W	>90	3000K	100°	470Lm

■ Crna □ Bela

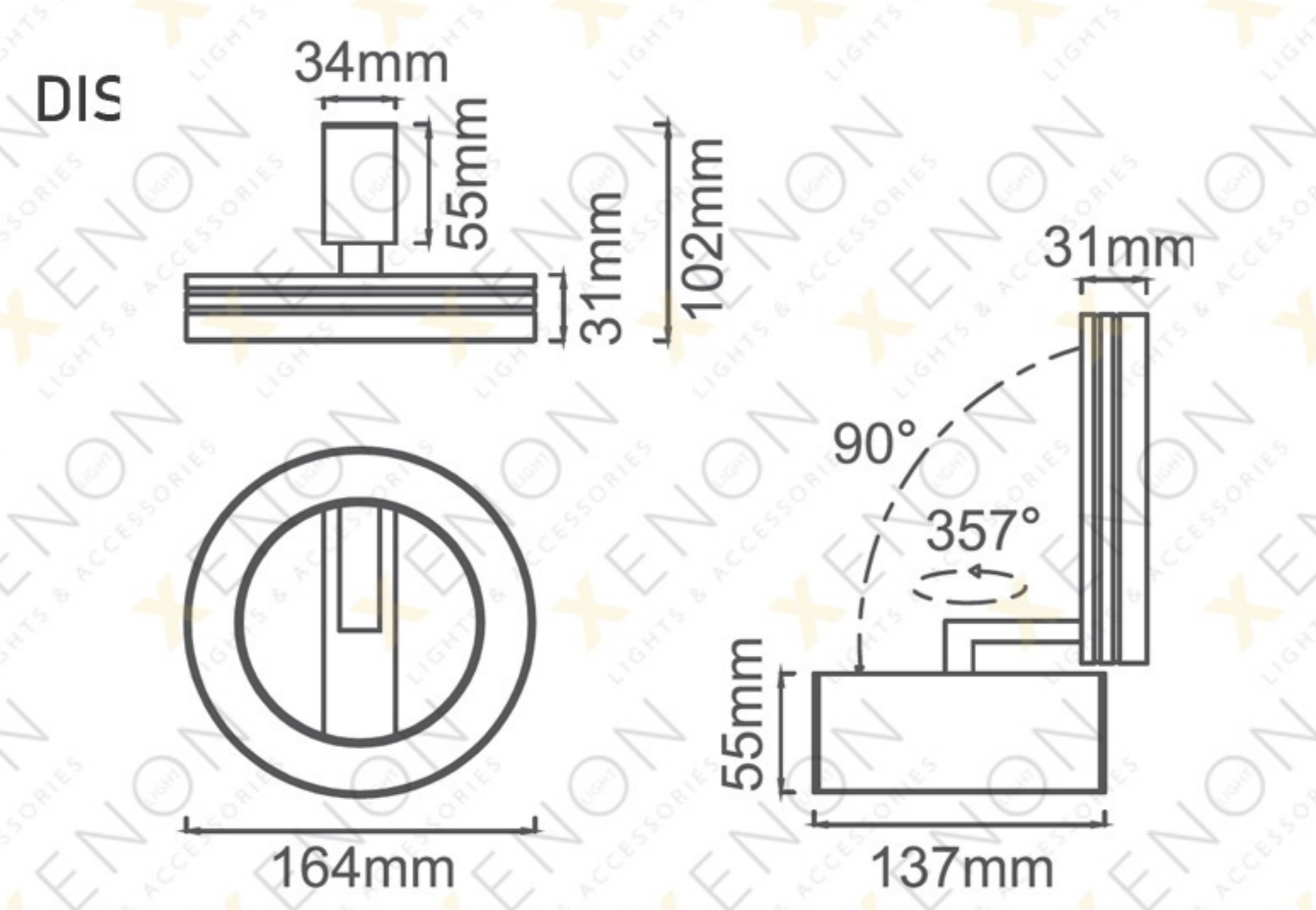


LSA6120R 18W 24V



SNAGA	CRI	CCT	UGAO	LUMEN
18W	>90	3000K	100°	686Lm

■ Crna □ Bela



MAGNETNE 24V | SPOT serija

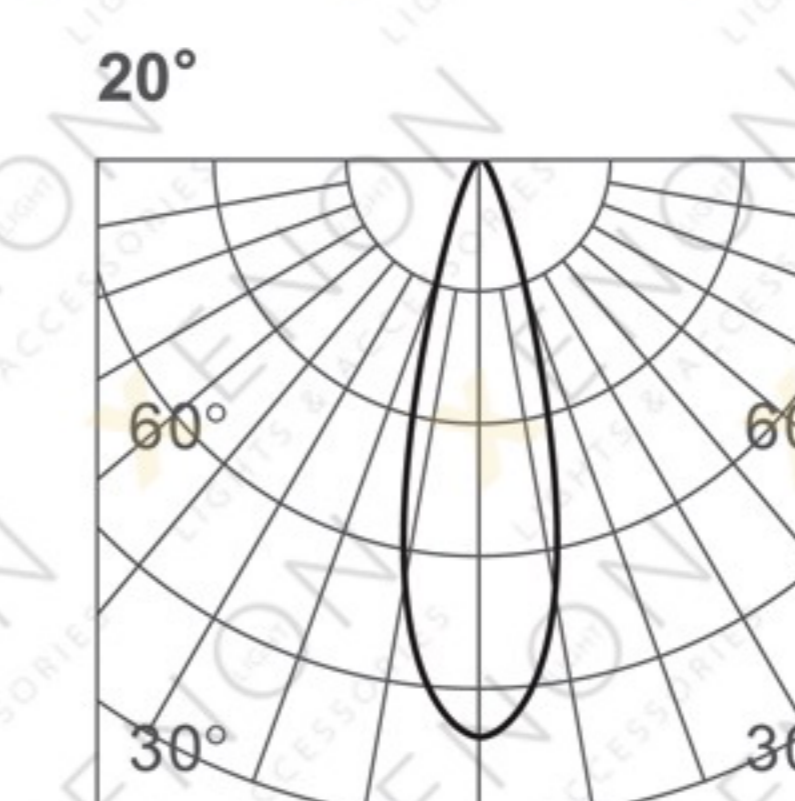
LSB8513R 8W 24V



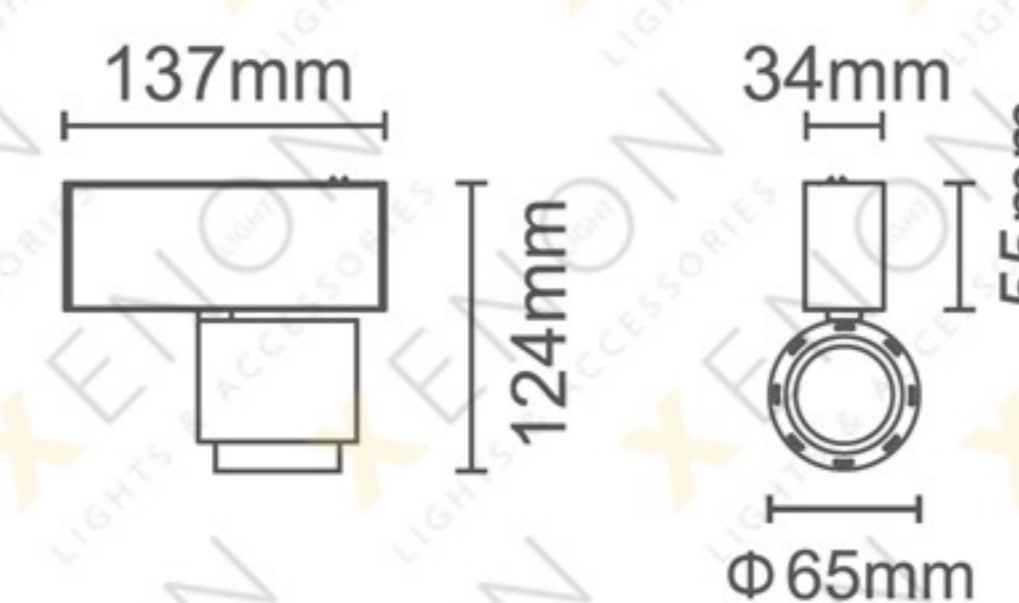
SNAGA	CRI	CCT	UGAO	LUMEN
8W	>90	3000K	20°	251Lm

■ Crna □ Bela

DISTRIBUCIJA SVETLA



h(m)	E(lx)	Φ(m)
1	2675	Φ0.26
2	668	Φ0.53
3	297	Φ0.80
4	167	Φ1.06
5	107	Φ1.33



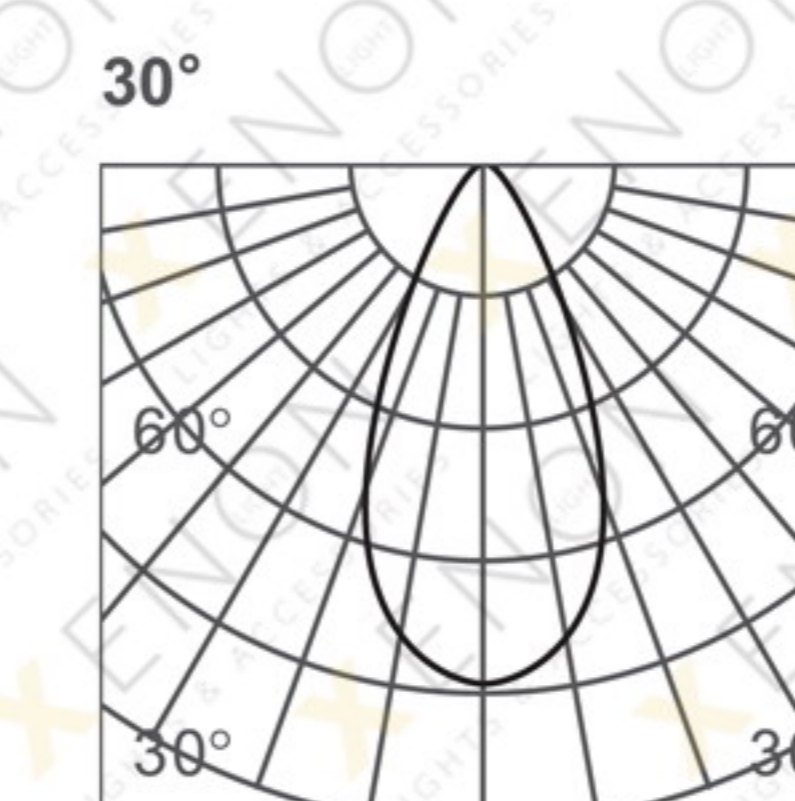
LSB8514R 15W 24V



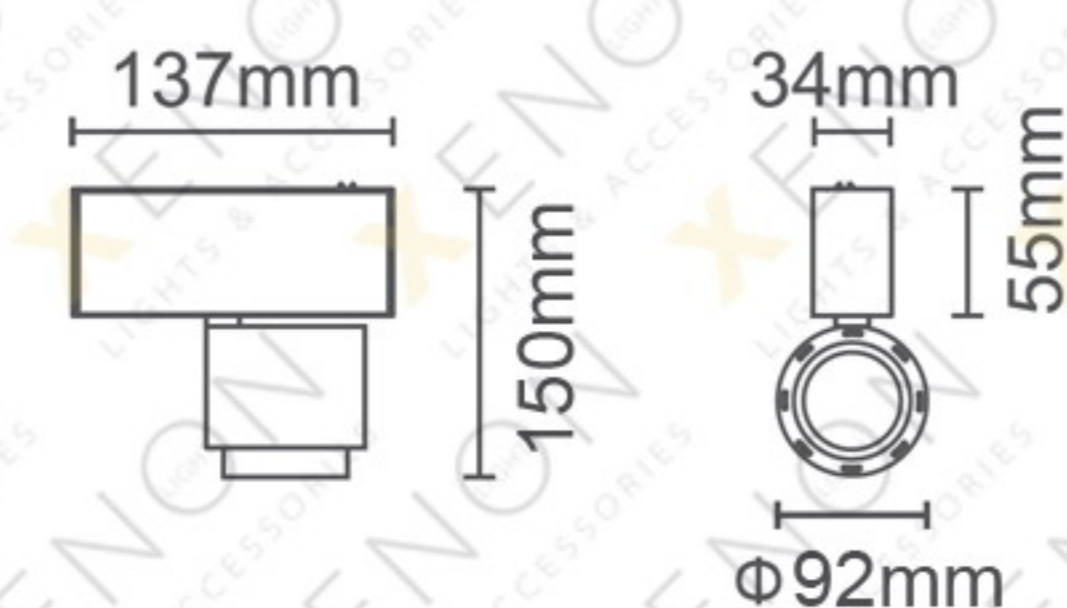
SNAGA	CRI	CCT	UGAO	LUMEN
15W	>90	3000K	30°	481Lm

■ Crna □ Bela

DISTRIBUCIJA SVETLA



h(m)	E(lx)	Φ(m)
1	2371	Φ0.46
2	592	Φ0.92
3	263	Φ1.38
4	148	Φ1.84
5	94	Φ2.30



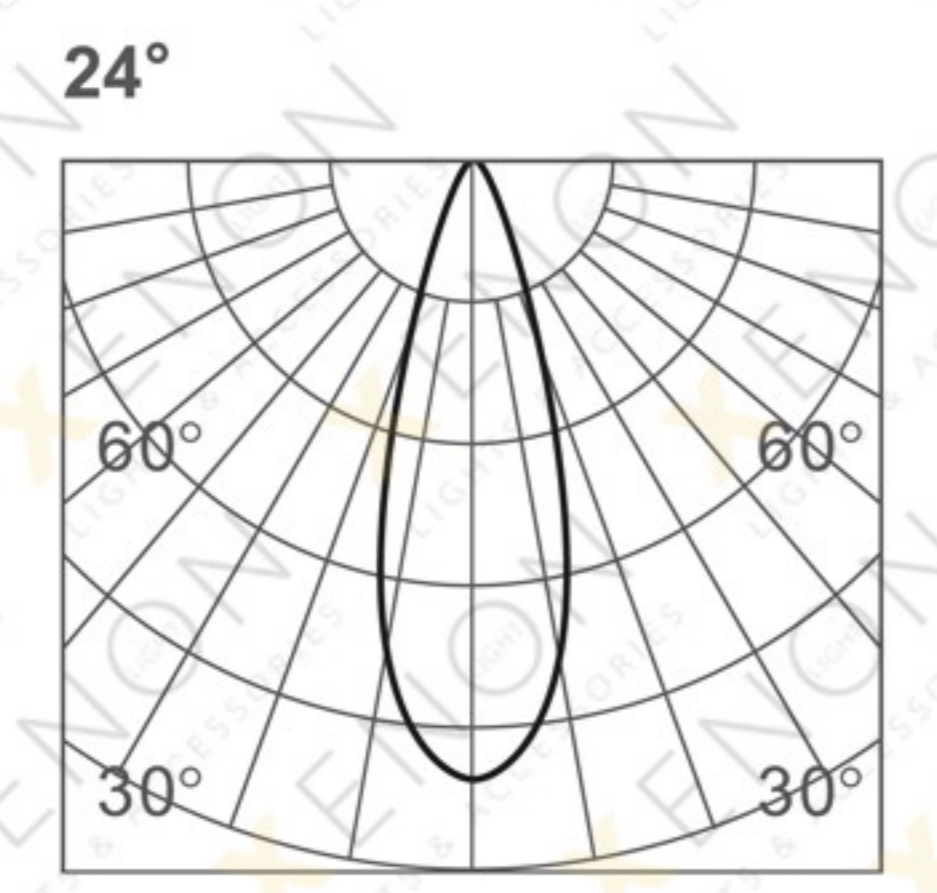
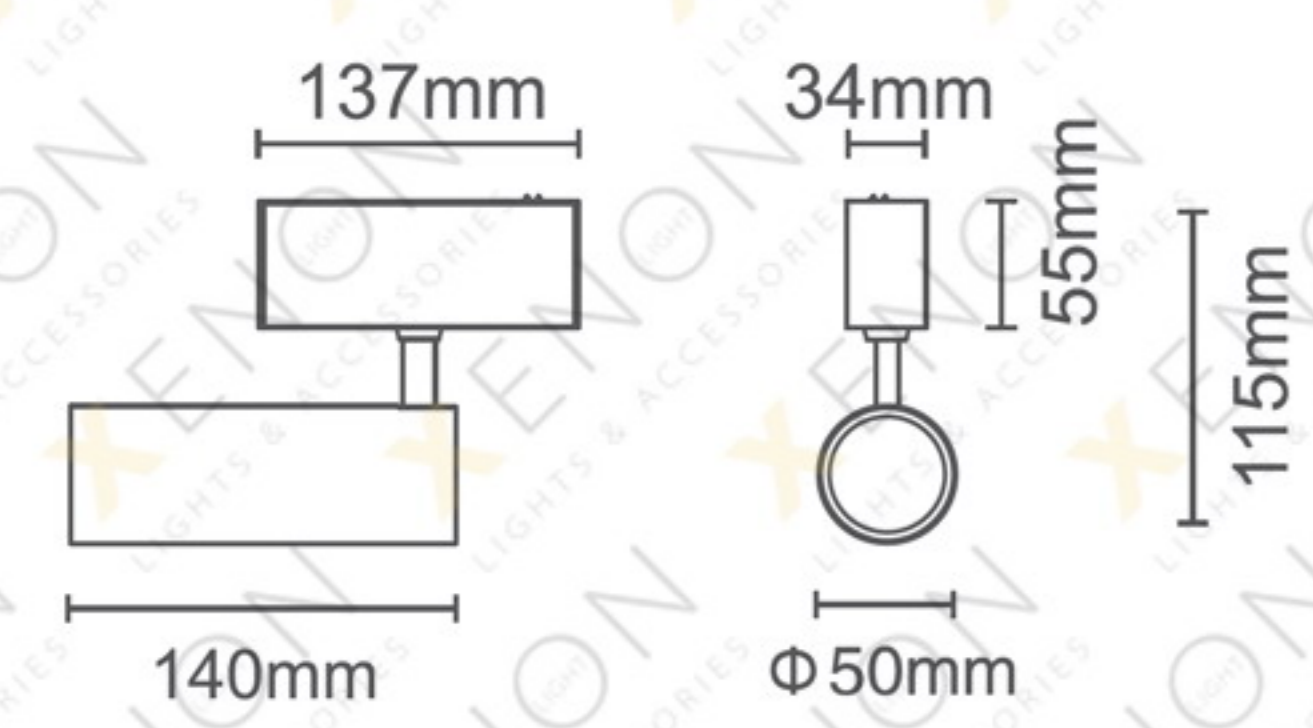
LSA3060DR 10W 24V



SNAGA	CRI	CCT	UGAO	LUMEN
10W	>90	3000K	24°	682Lm

Crna
 Bela
 Zlatna

DISTRIBUCIJA SVETLA



h(m)	E(lx)	Φ(m)
1	3857	Φ0.40
2	964	Φ0.81
3	428	Φ1.22
4	241	Φ1.62
5	154	Φ2.03

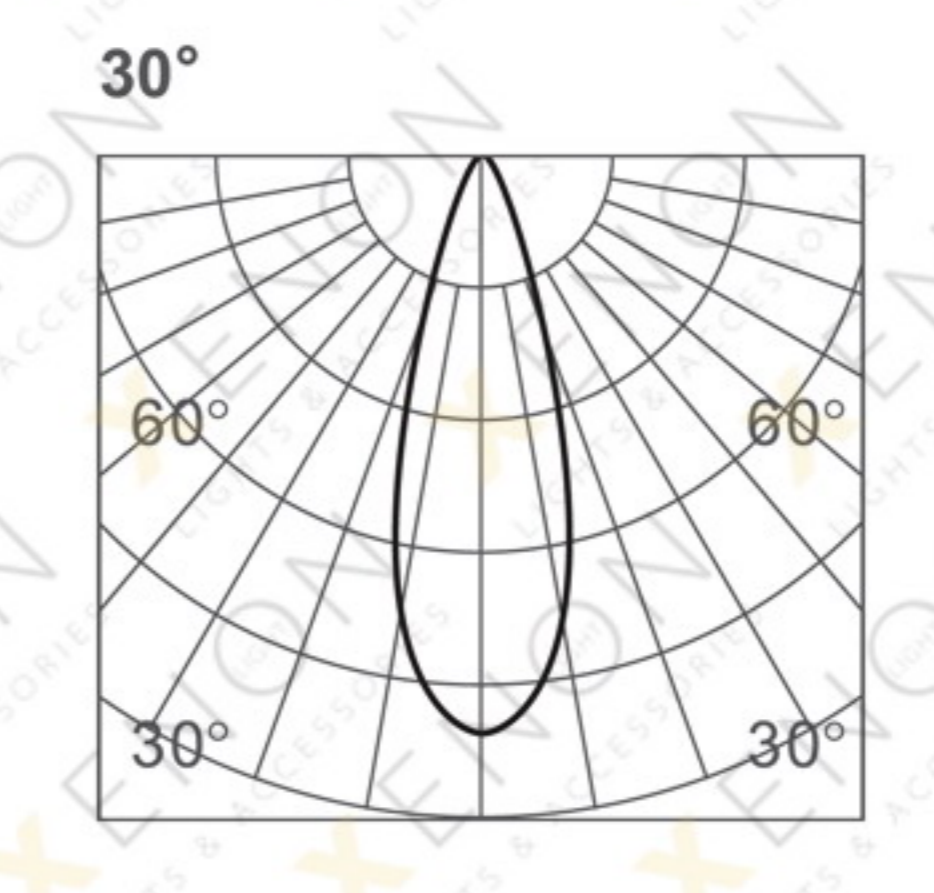
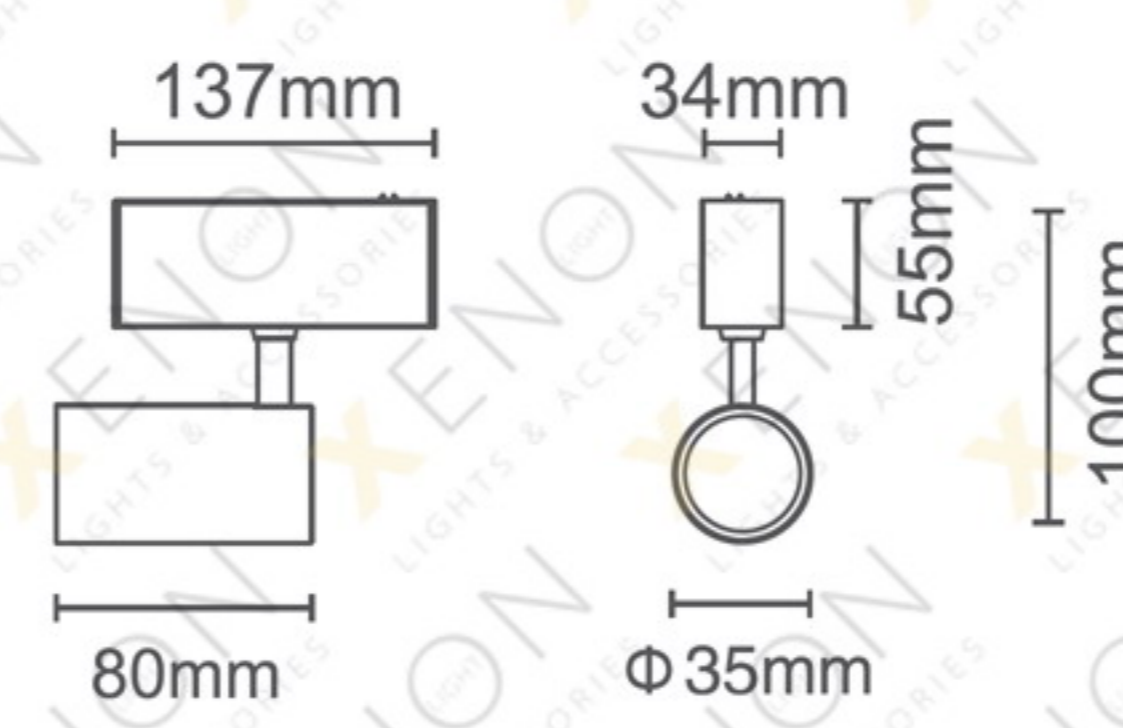
LSA3040DR 1x5W 24V



SNAGA	CRI	CCT	UGAO	LUMEN
5W	>90	3000K	30°	526Lm

Crna
 Bela
 Zlatna

DISTRIBUCIJA SVETLA



h(m)	E(lx)	Φ(m)
1	2519	Φ0.32
2	629	Φ0.65
3	279	Φ0.98
4	157	Φ1.31
5	100	Φ1.64

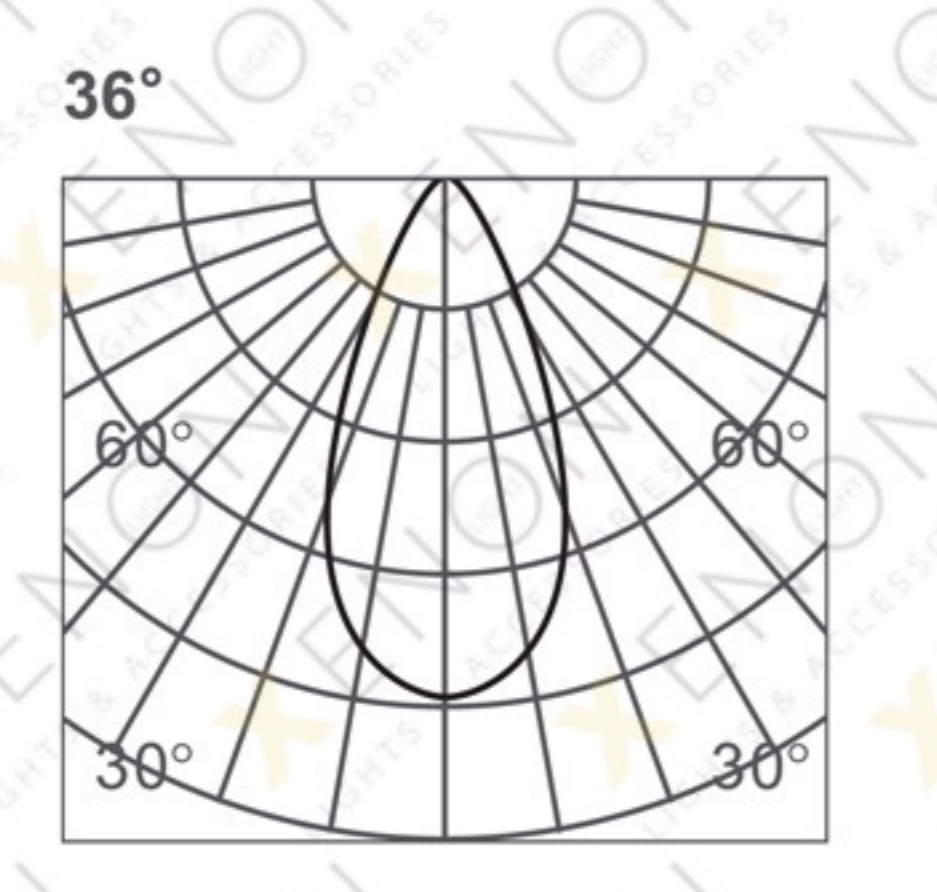
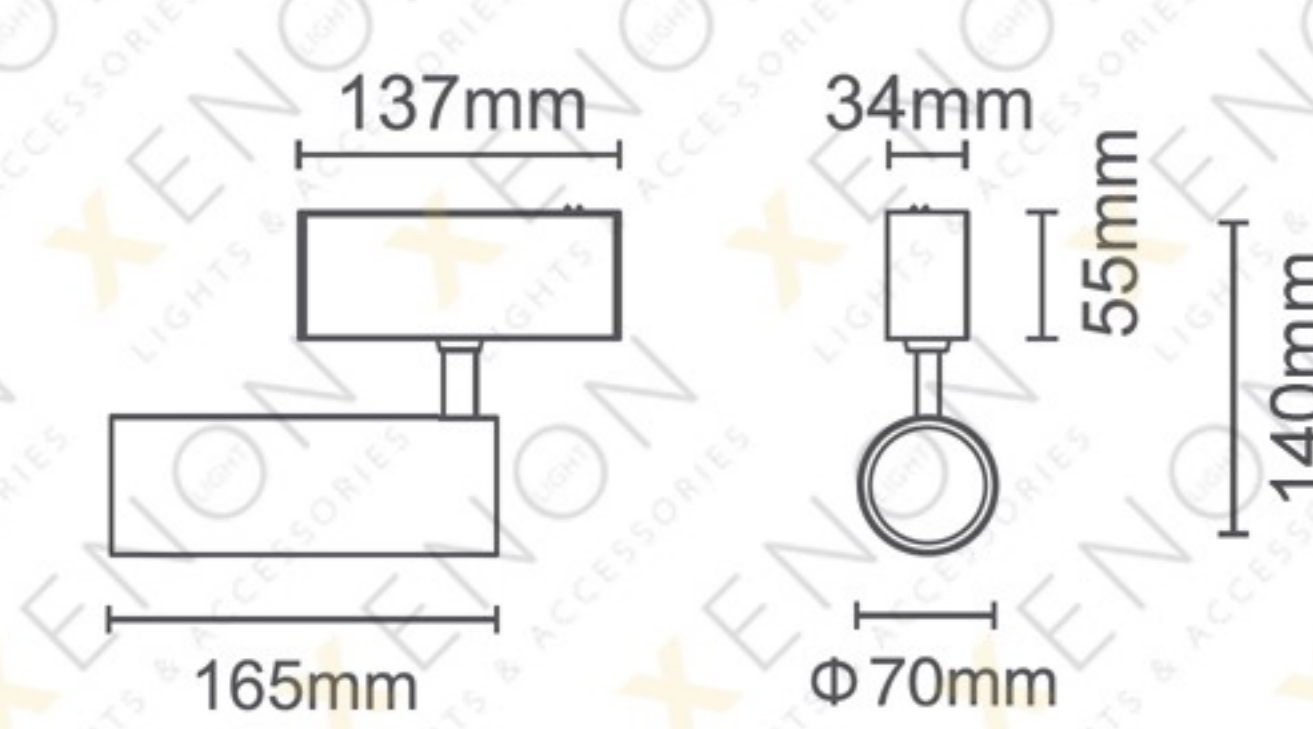
LSA3080DR 20W 24V



SNAGA	CRI	CCT	UGAO	LUMEN
20W	>90	3000K	36°	1343Lm

Crna
 Bela
 Zlatna

DISTRIBUCIJA SVETLA



h(m)	E(lx)	Φ(m)
1	3344	Φ0.72
2	836	Φ1.44
3	371	Φ2.17
4	209	Φ2.89
5	133	Φ3.61

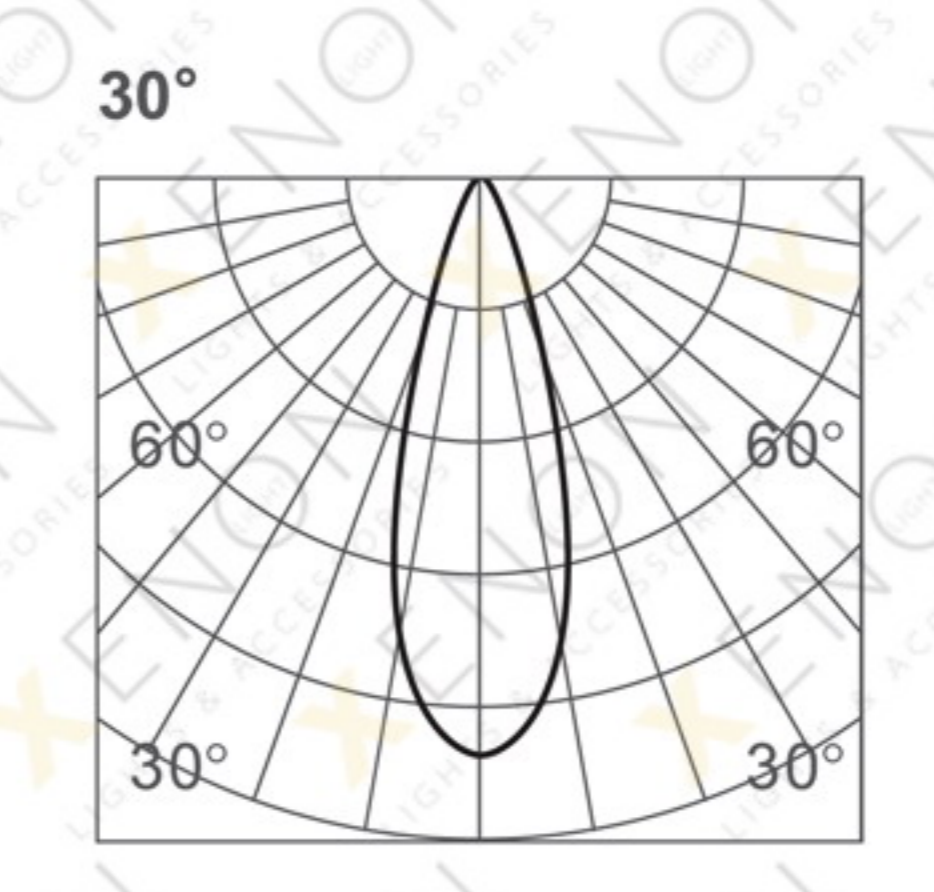
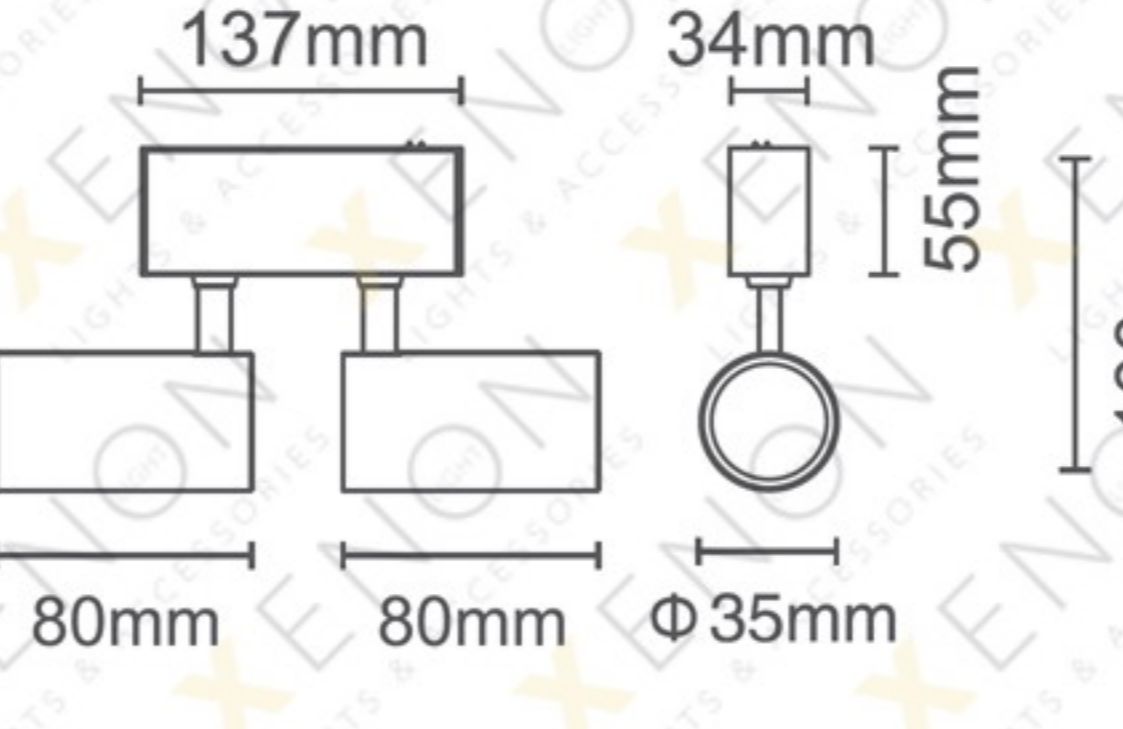
LSA3042DR 2x5W 24V



SNAGA	CRI	CCT	UGAO	LUMEN
10W	>90	3000K	30°	526Lm x2

Crna
 Bela
 Zlatna

DISTRIBUCIJA SVETLA



h(m)	E(lx)	Φ(m)
1	2519	Φ0.32
2	629	Φ0.65
3	279	Φ0.98
4	157	Φ1.31
5	100	Φ1.64



MAGNETNE 24V | VISILICE serija

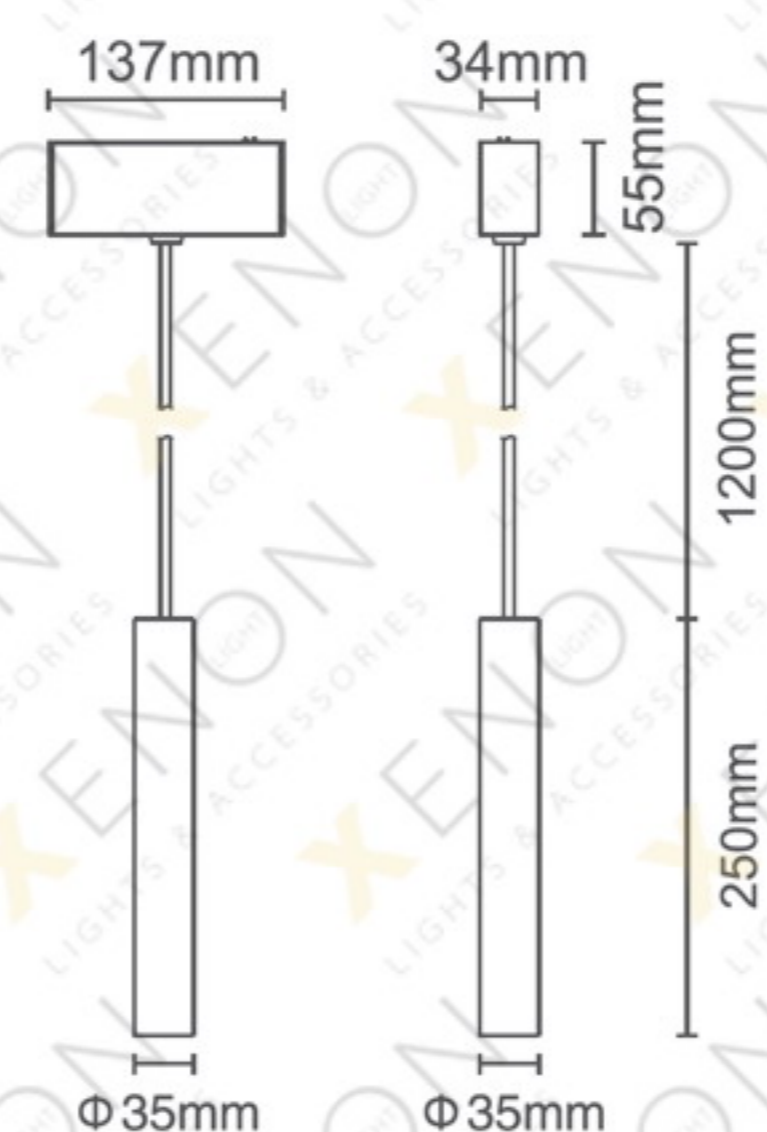
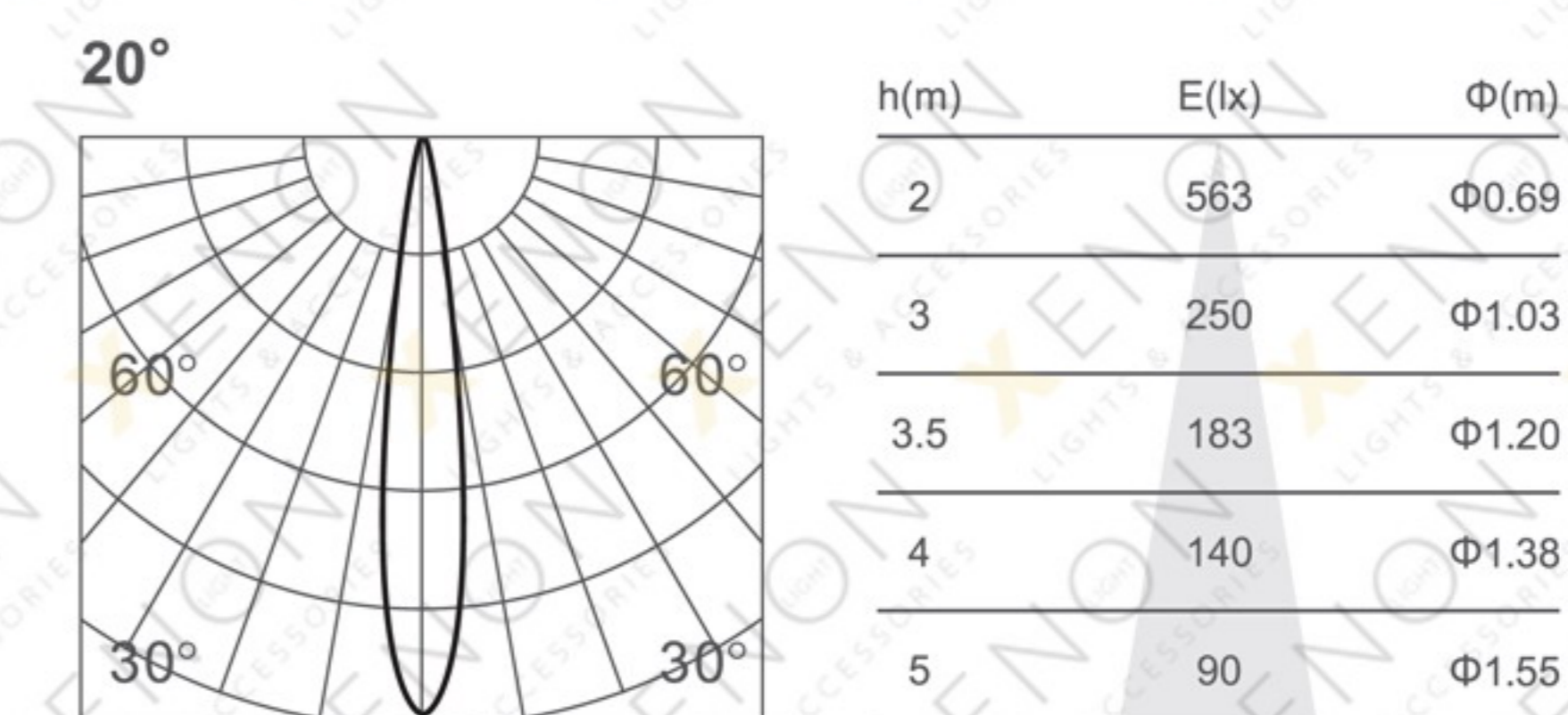
LPA5020NR 10W 24V



SNAGA	CRI	CCT	UGAO	LUMEN
10W	>90	3000K	20°	526Lm

■ Crna □ Bela

DISTRIBUCIJA SVETLA



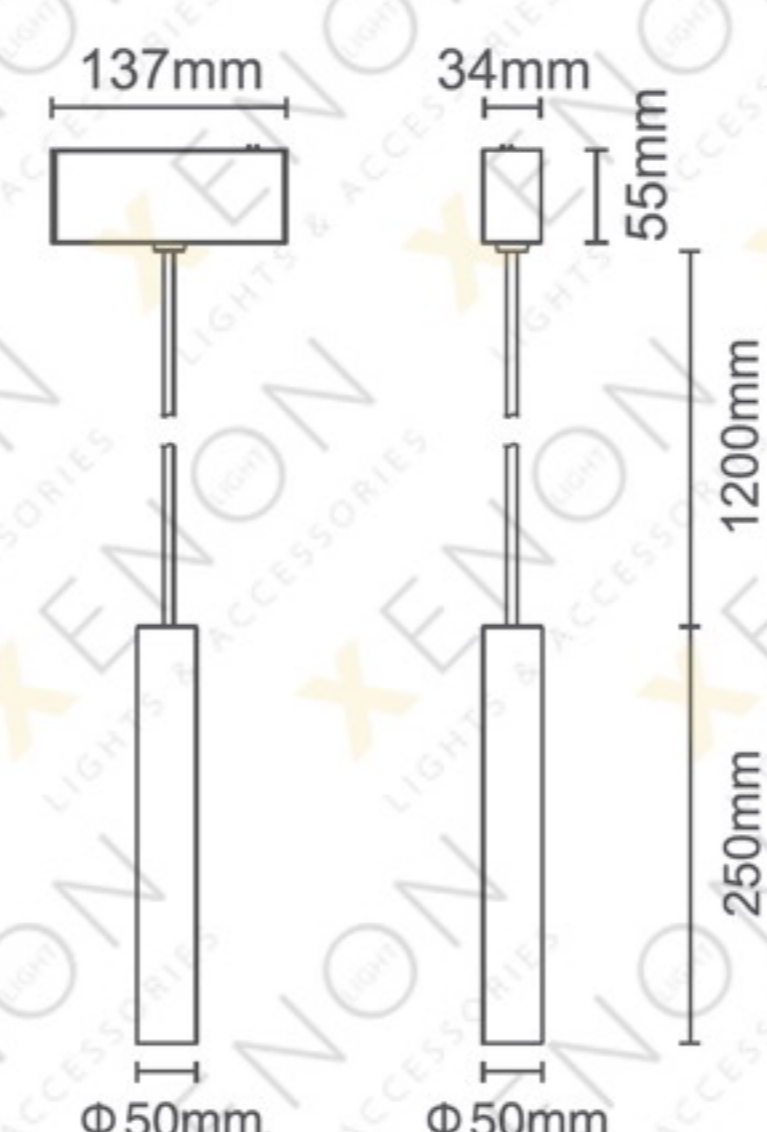
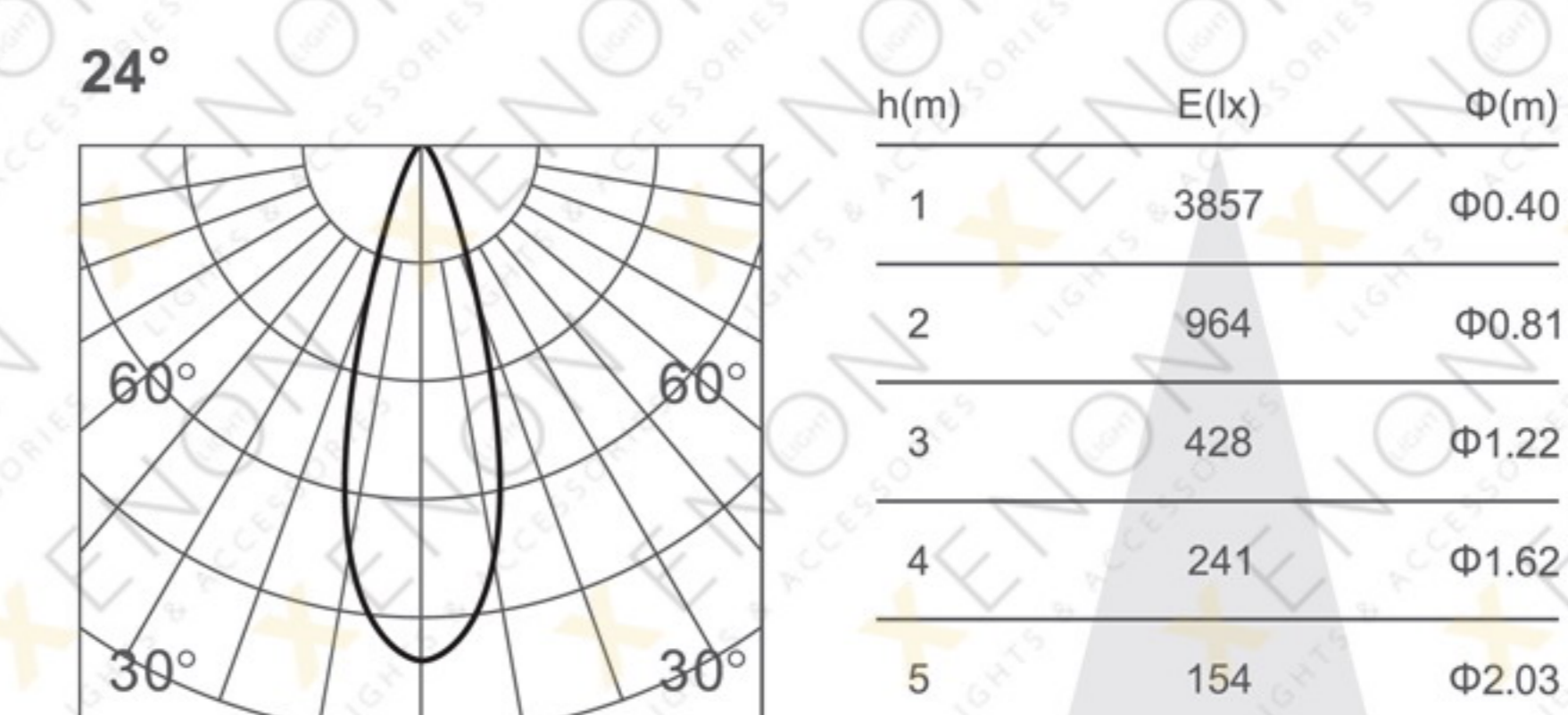
LPA5030NR 10W 24V



SNAGA	CRI	CCT	UGAO	LUMEN
10W	>90	3000K	24°	682Lm

■ Crna □ Bela ■ Zlatna ■ Crna-bronzana

DISTRIBUCIJA SVETLA



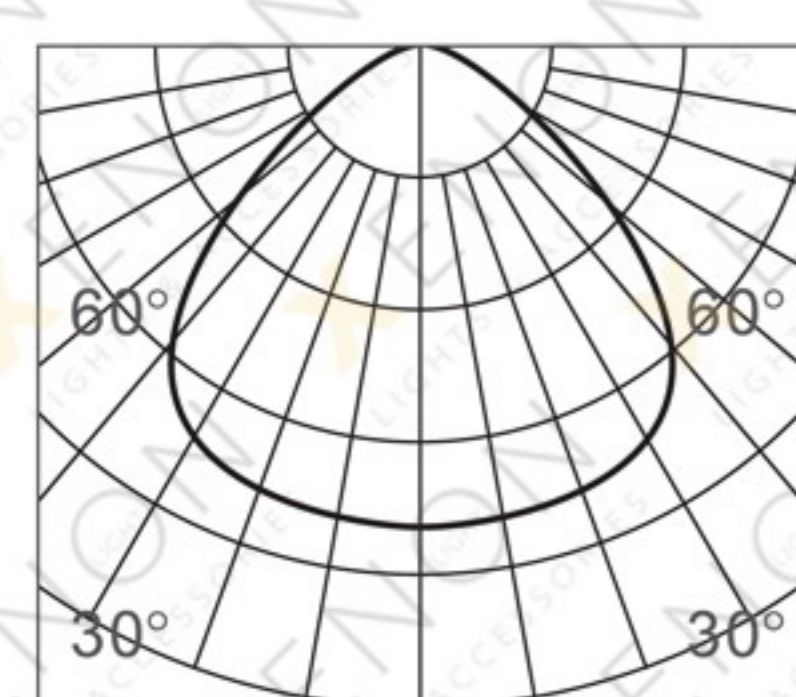
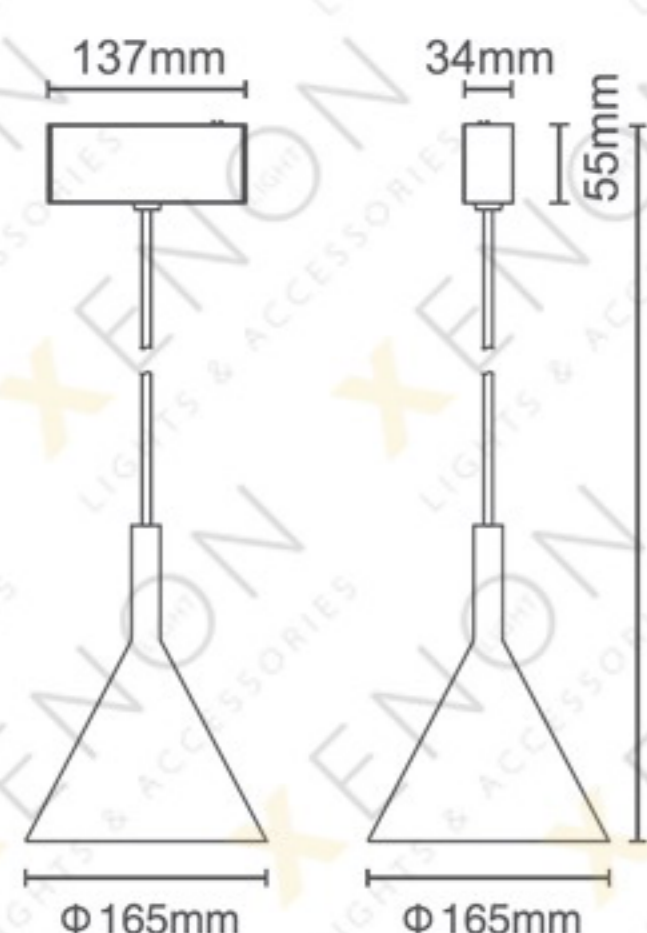
LPA9100NR 10W 24V



SNAGA	CRI	CCT	UGAO	LUMEN
10W	>90	3000K	200°	264Lm

■ Crna □ Bela

DISTRIBUCIJA SVETLA



h(m)	E(lx)	Φ(m)
1	500	Φ1.20
2	125	Φ2.40
3	55.6	Φ3.60
4	31.2	Φ4.80
5	20	Φ6.00

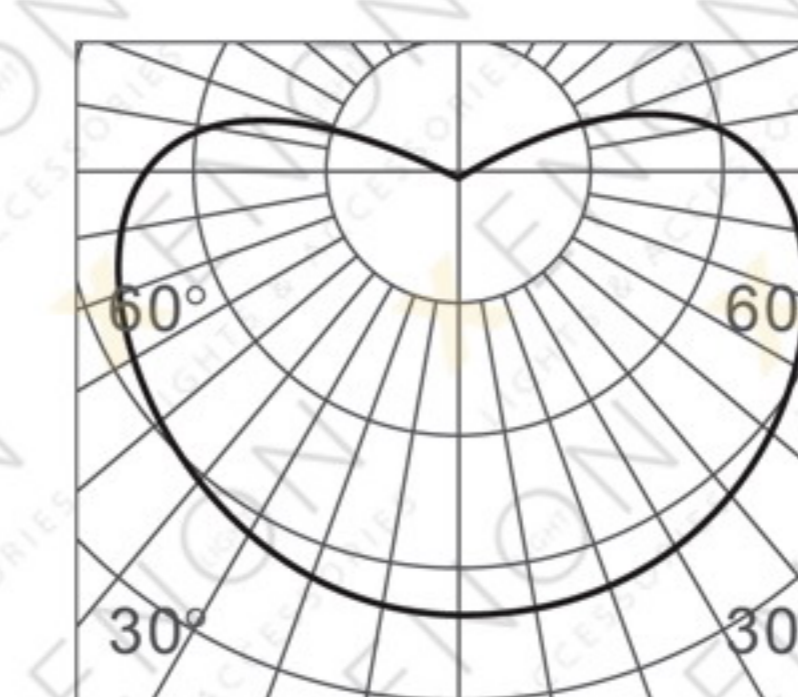
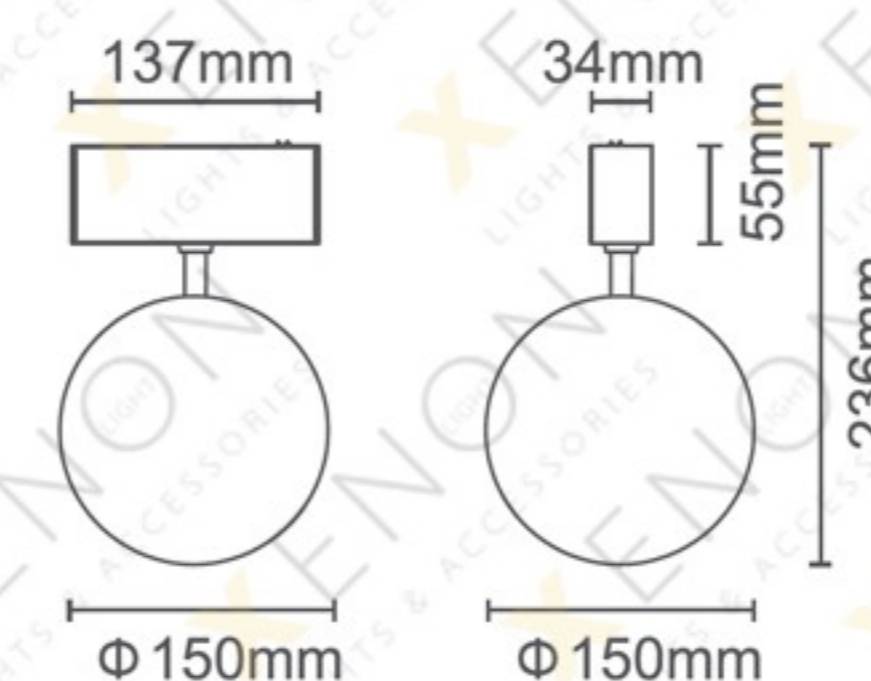
LPB6080NR 5W 24V



SNAGA	CRI	CCT	UGAO	LUMEN
5W	>90	3000K	360°	346Lm

■ Crna □ Bela

DISTRIBUCIJA SVETLA



h(m)	E(lx)	Φ(m)
1	24	Φ2
2	6	Φ4
3	2	Φ6
4	1	Φ8
5	0.9	Φ10

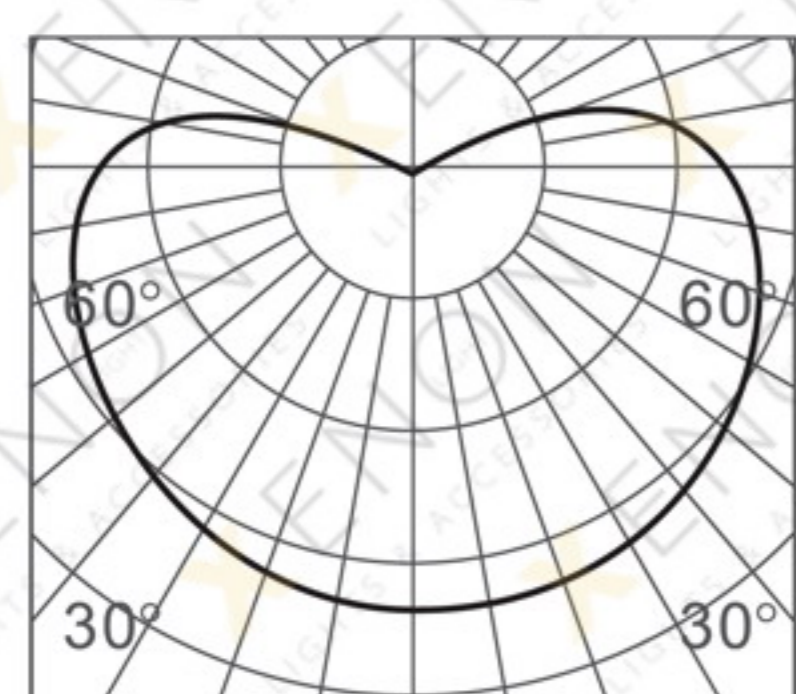
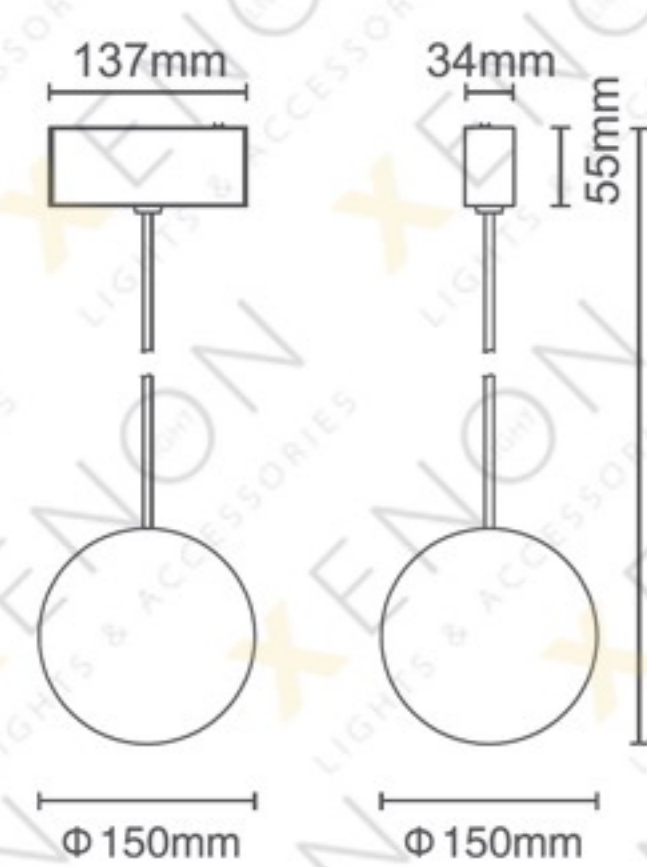
LPB6100NR 5W 24V



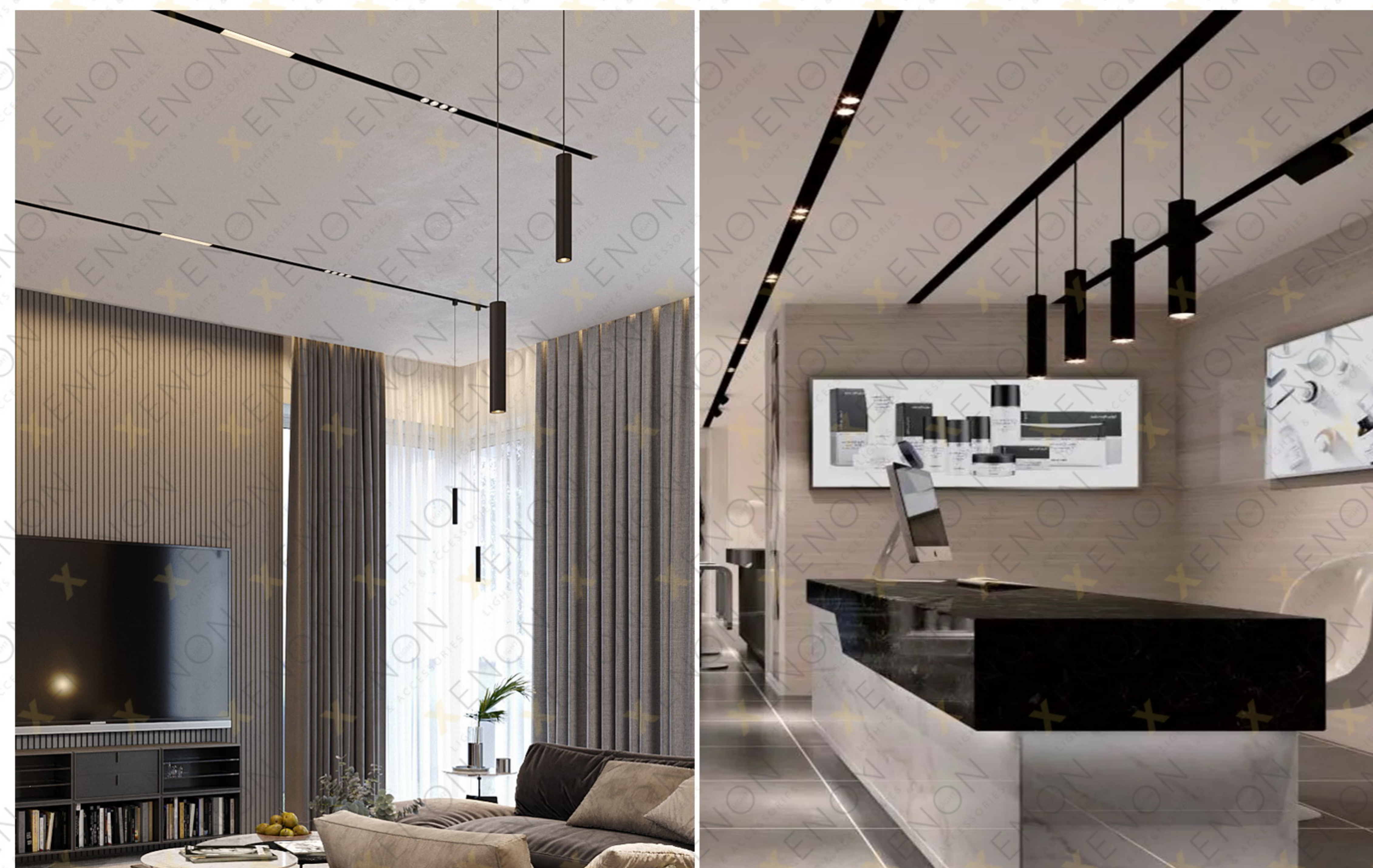
SNAGA	CRI	CCT	UGAO	LUMEN
5W	>90	3000K	360°	346Lm

■ Crna

DISTRIBUCIJA SVETLA



h(m)	E(lx)	Φ(m)
1	24	Φ2
2	6	Φ4
3	2	Φ6
4	1	Φ8
5	0.9	Φ10





- Nadgradne
- Viseće
- Ugradne

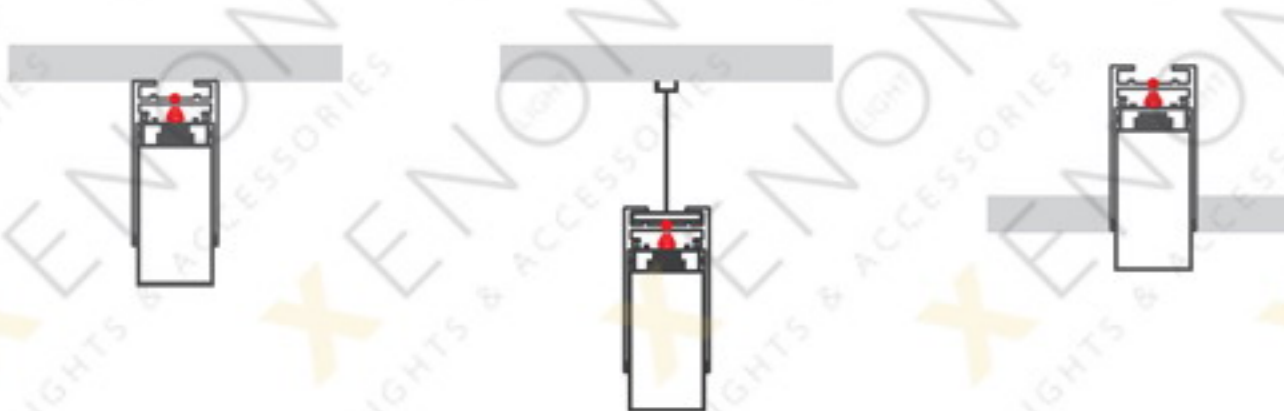
MAGNETNE 24V | ŠINE CURVY



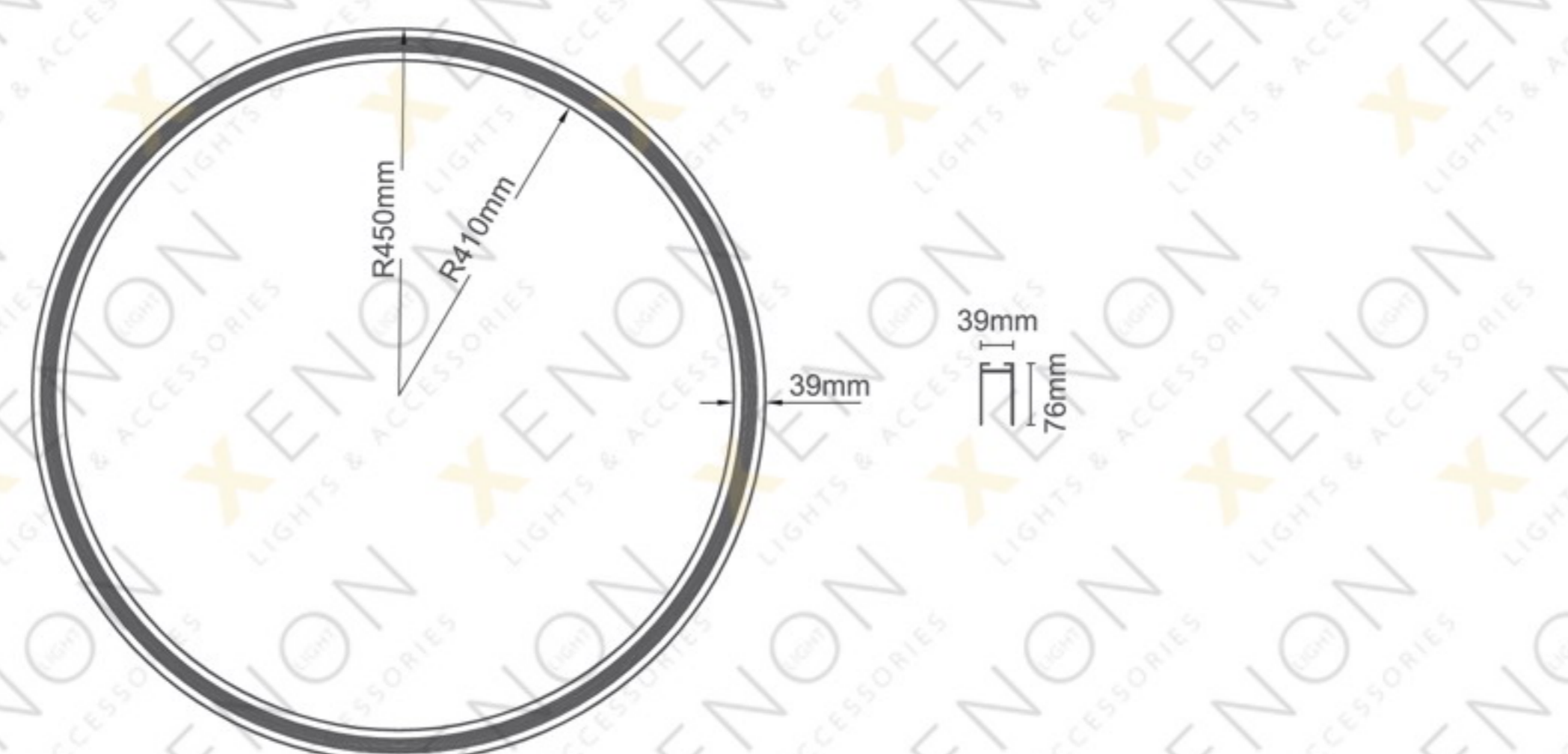
LST CURVY 24V



MODEL SNAGA
LST CURVY 200W max



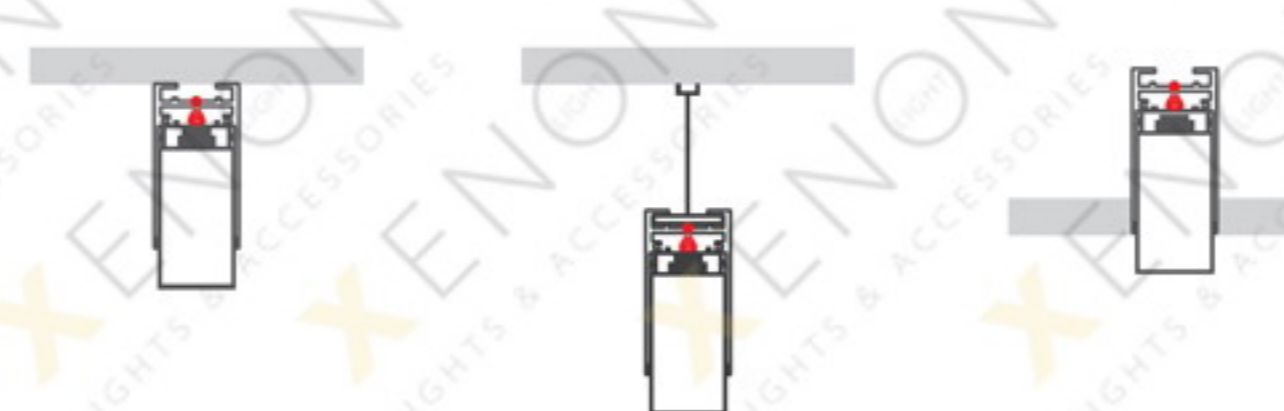
Crna



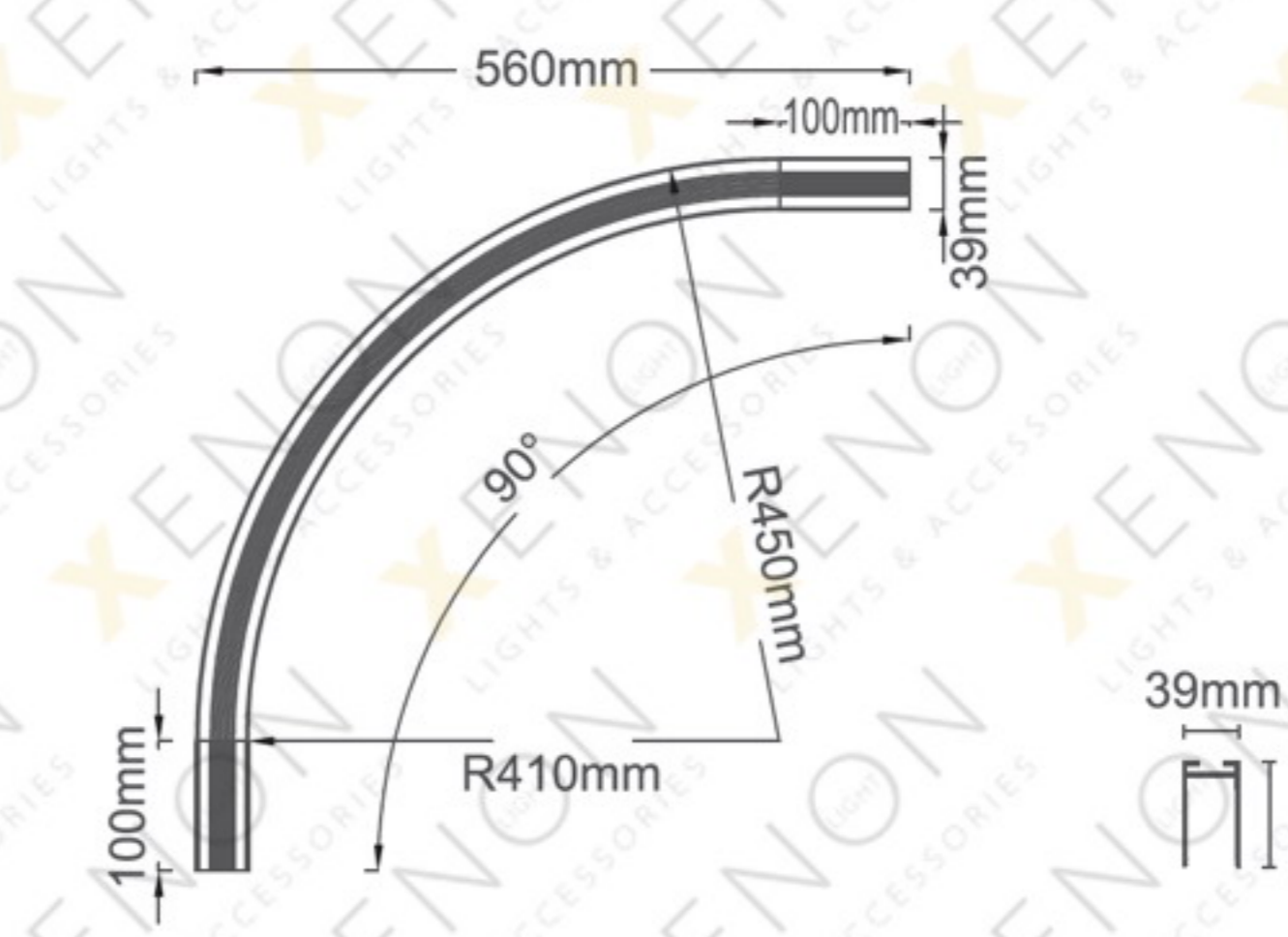
LST CURVY 1/4 24V



SNAGA CRI CCT
LST CURVY 1/4 200W max



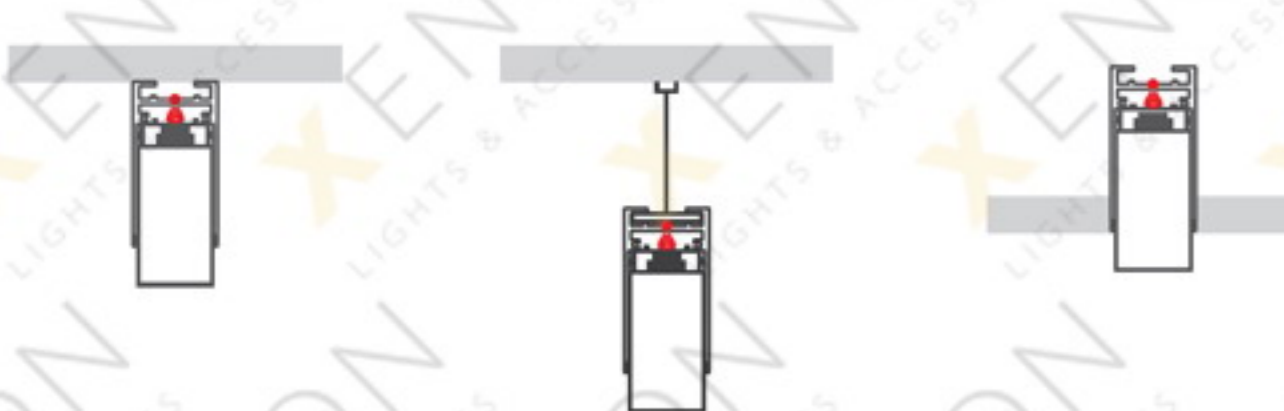
Crna



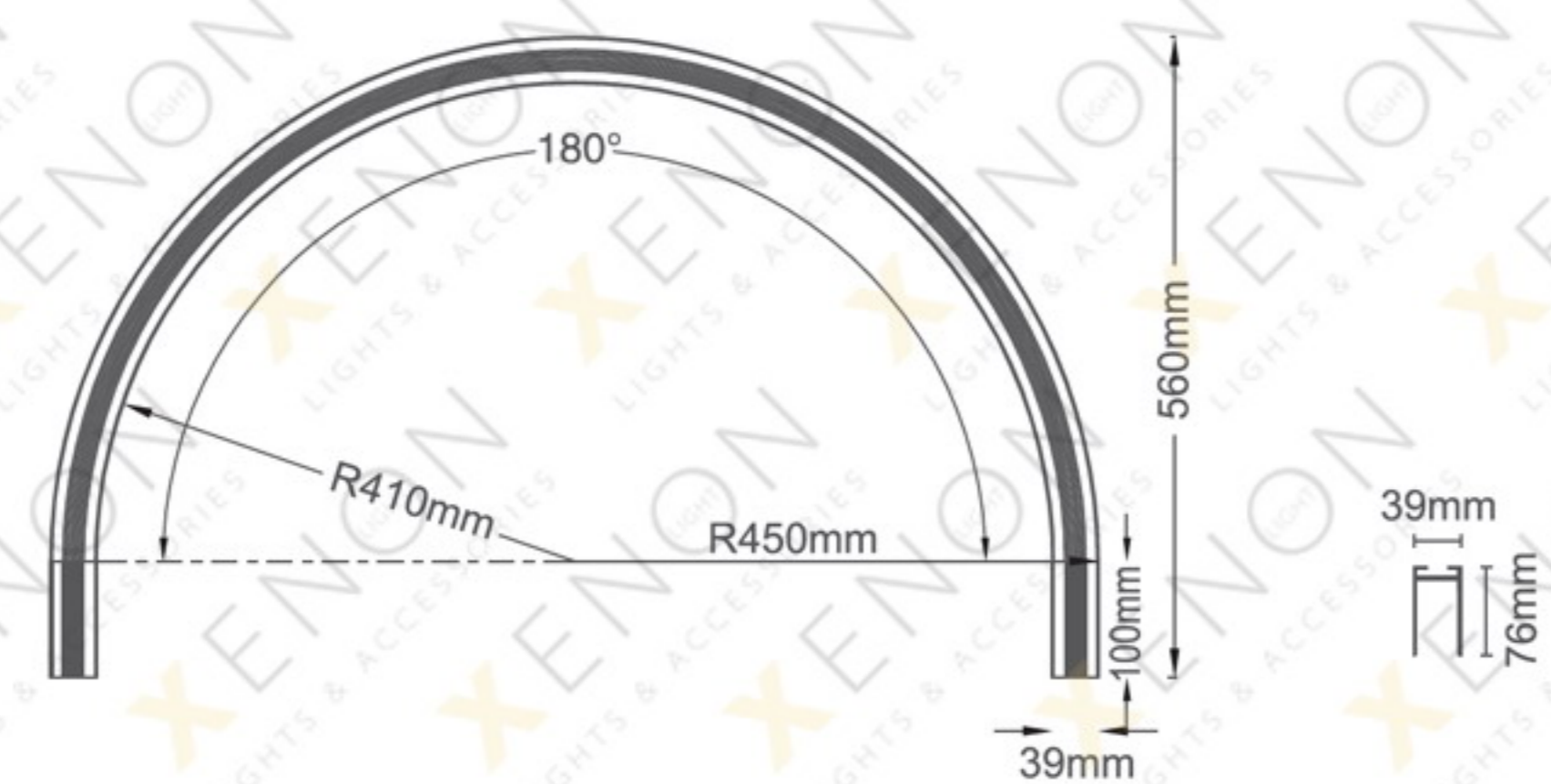
LST CURVY 1/2 24V



MODEL SNAGA
LST CURVY 1/2 200W max



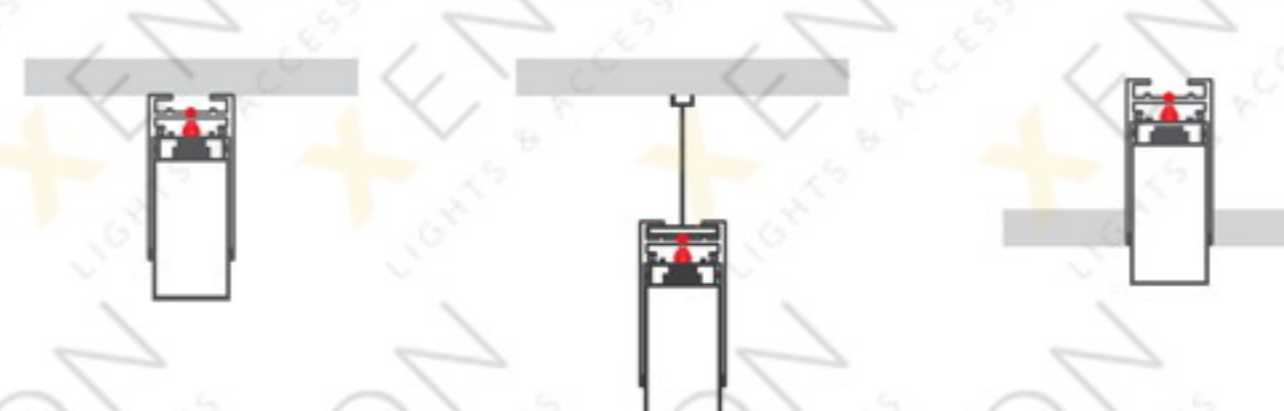
Crna



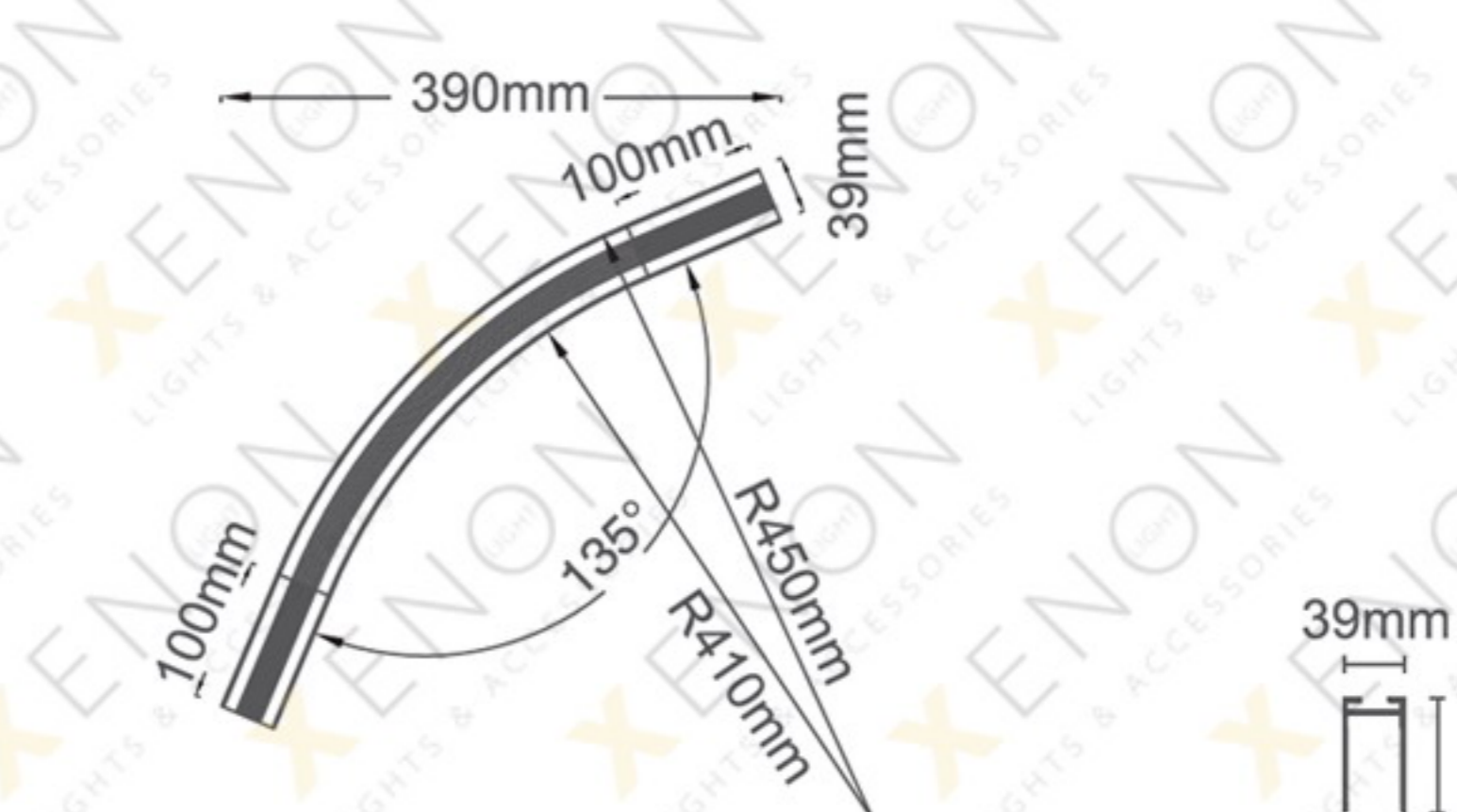
LST CURVY 1/8 24V



SNAGA CRI CCT
LST CURVY 1/8 200W max

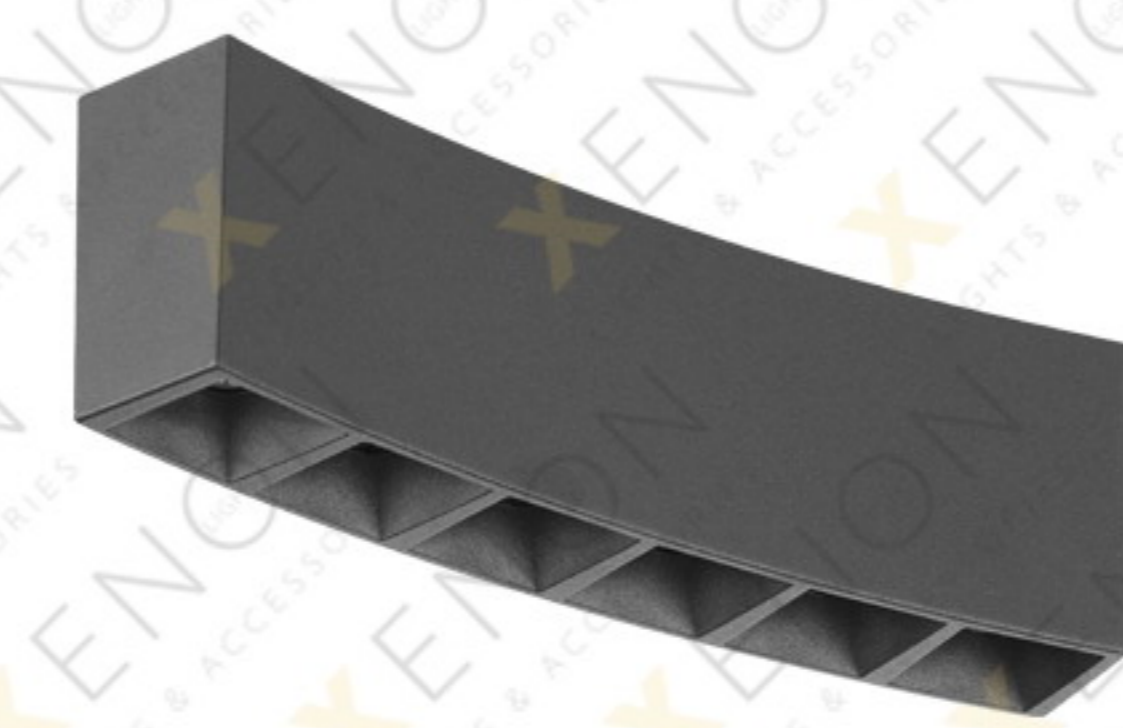


Crna





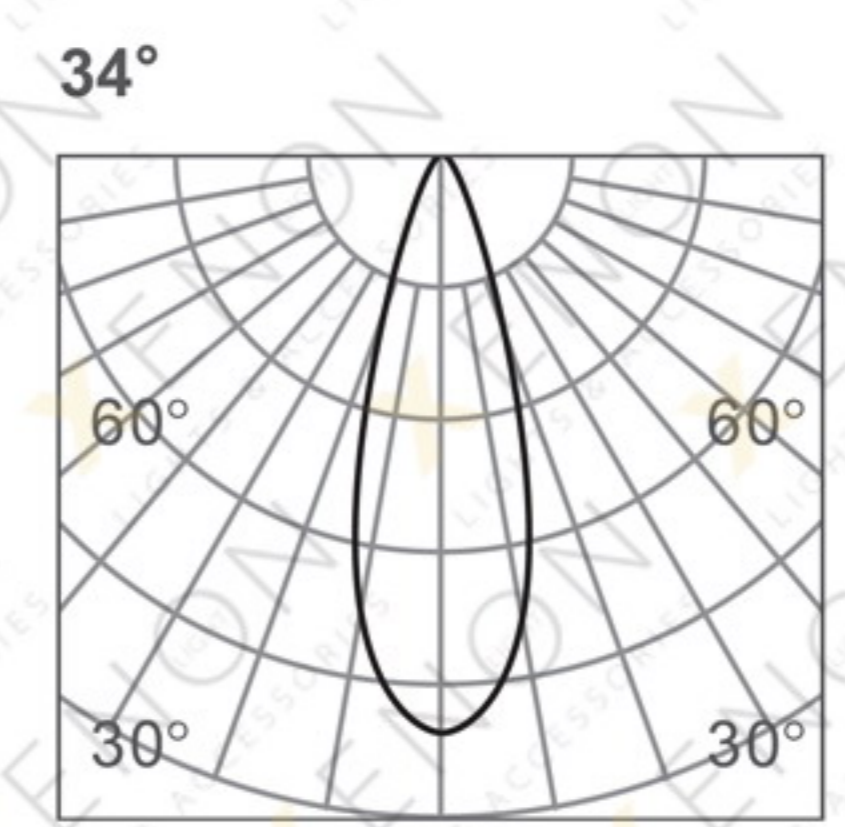
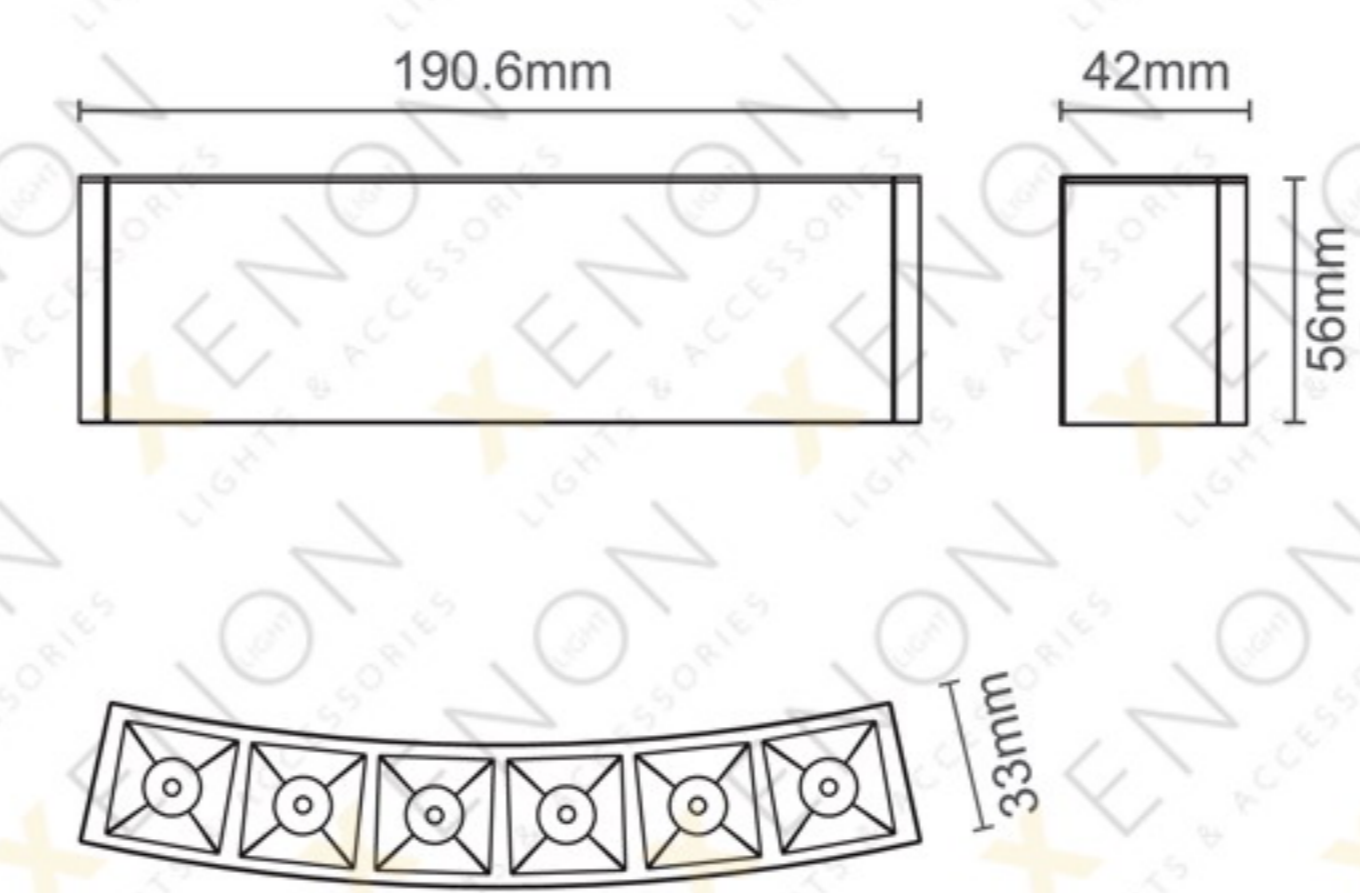
LSA8102S CURVY 8W 24V



SNAGA	CRI	CCT	UGAO	LUMEN
8W	>90	3000K	34°	644Lm

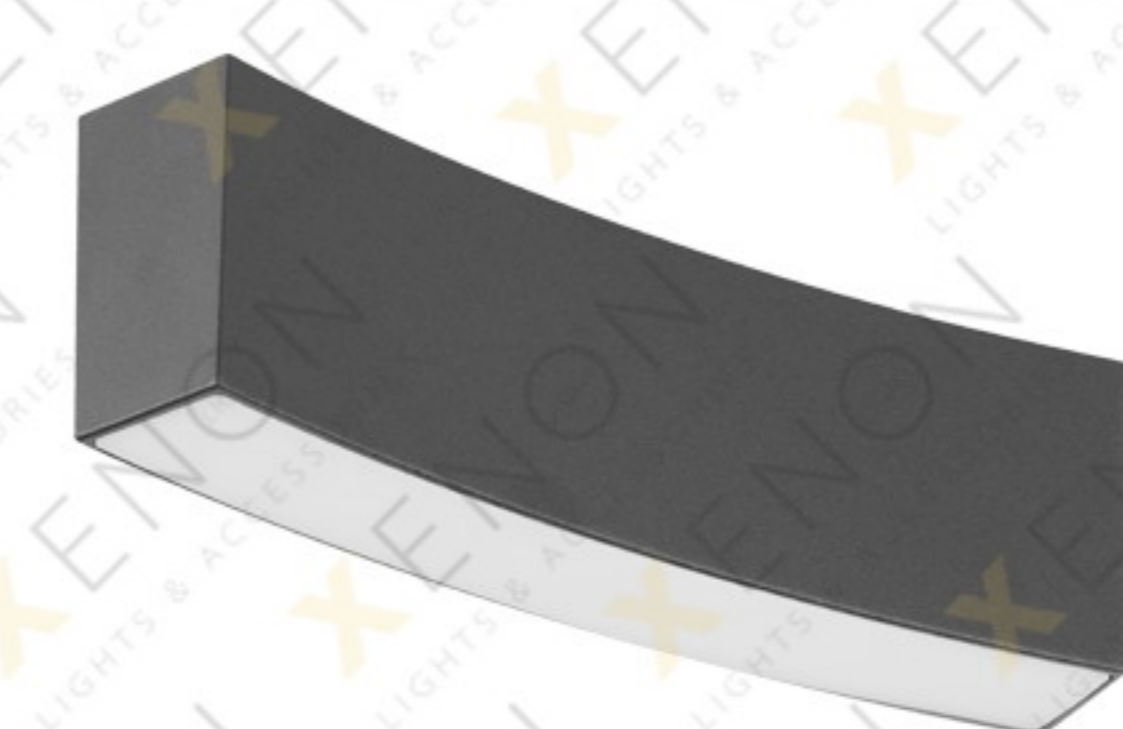
■ Crna

DISTRIBUCIJA SVETLA



h(m)	E(lx)	Φ(m)
1	2800	Φ0.53
2	700	Φ1.07
3	311	Φ1.60
4	175	Φ2.14
5	112	Φ2.67

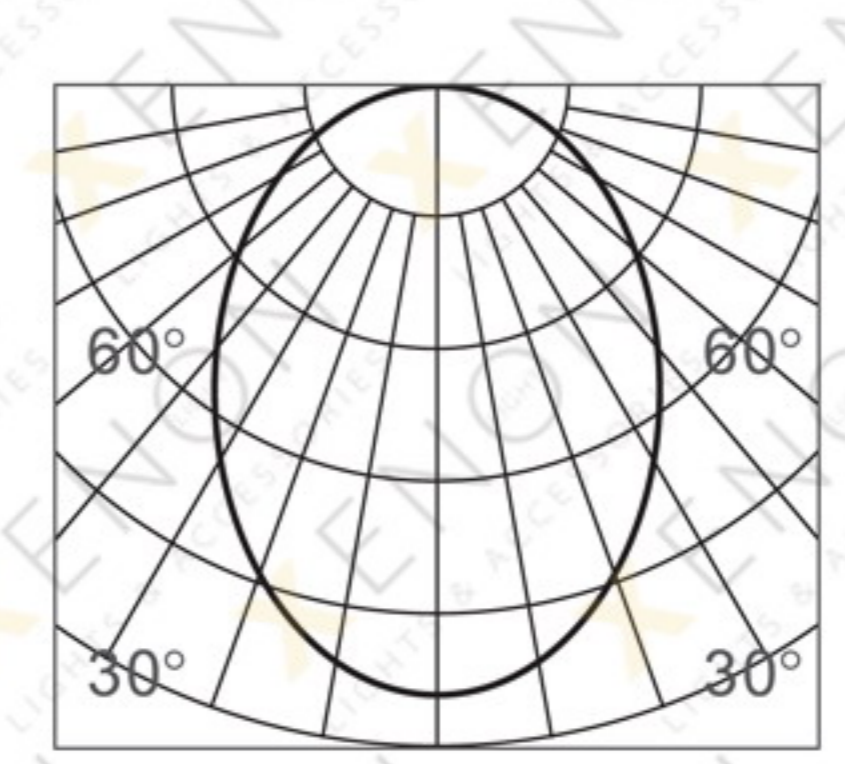
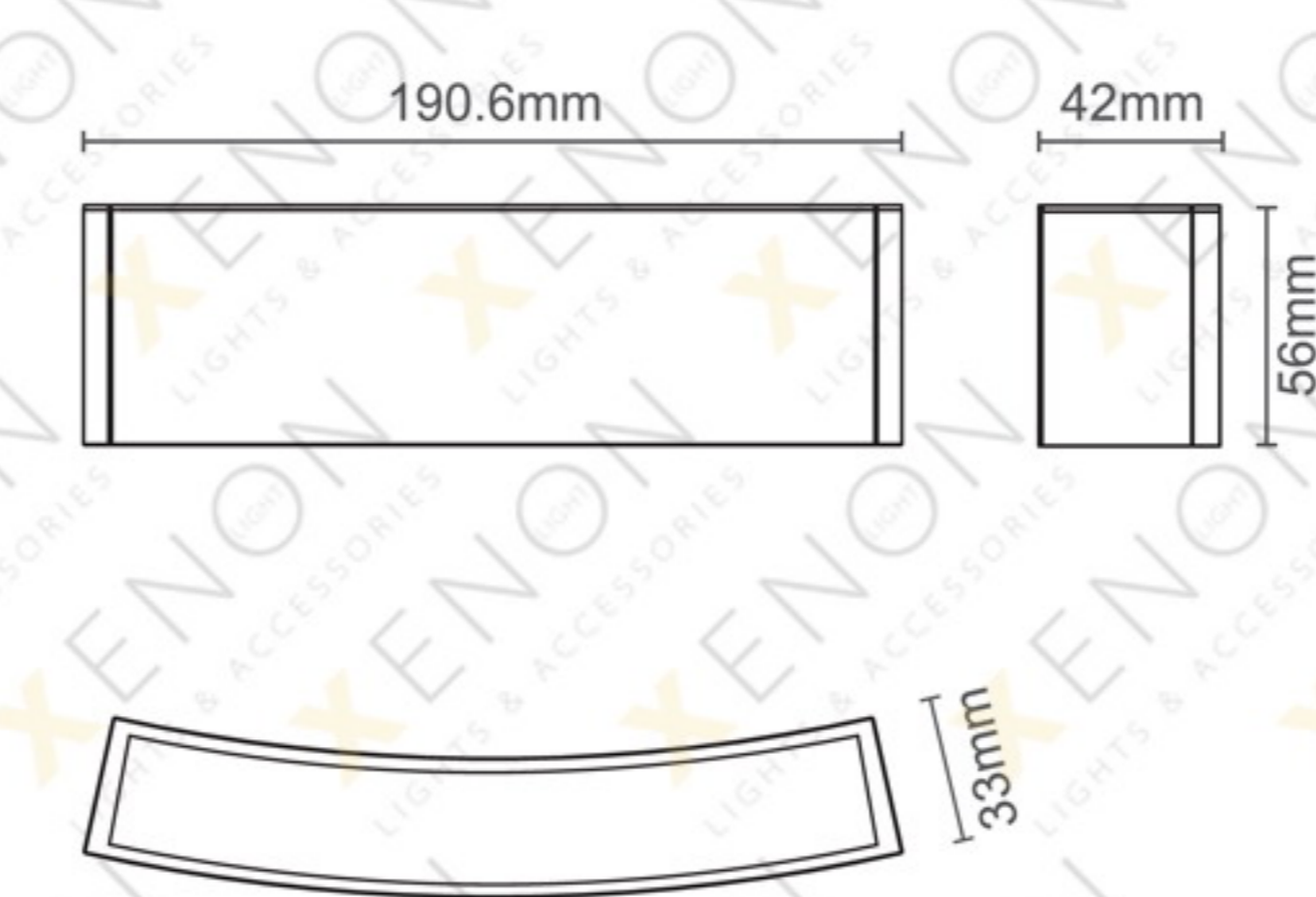
LSD3060R CURVY 7W 24V



SNAGA	CRI	CCT	UGAO	LUMEN
7W	>90	3000K	100°	485Lm

■ Crna

DISTRIBUCIJA SVETLA



h(m)	E(lx)	Φ(m)
1	119	Φ2.56
2	29	Φ5.12
3	13	Φ7.68
4	7	Φ10.24
5	4	Φ12.81

MAGNETNE 24V | CURVY serija

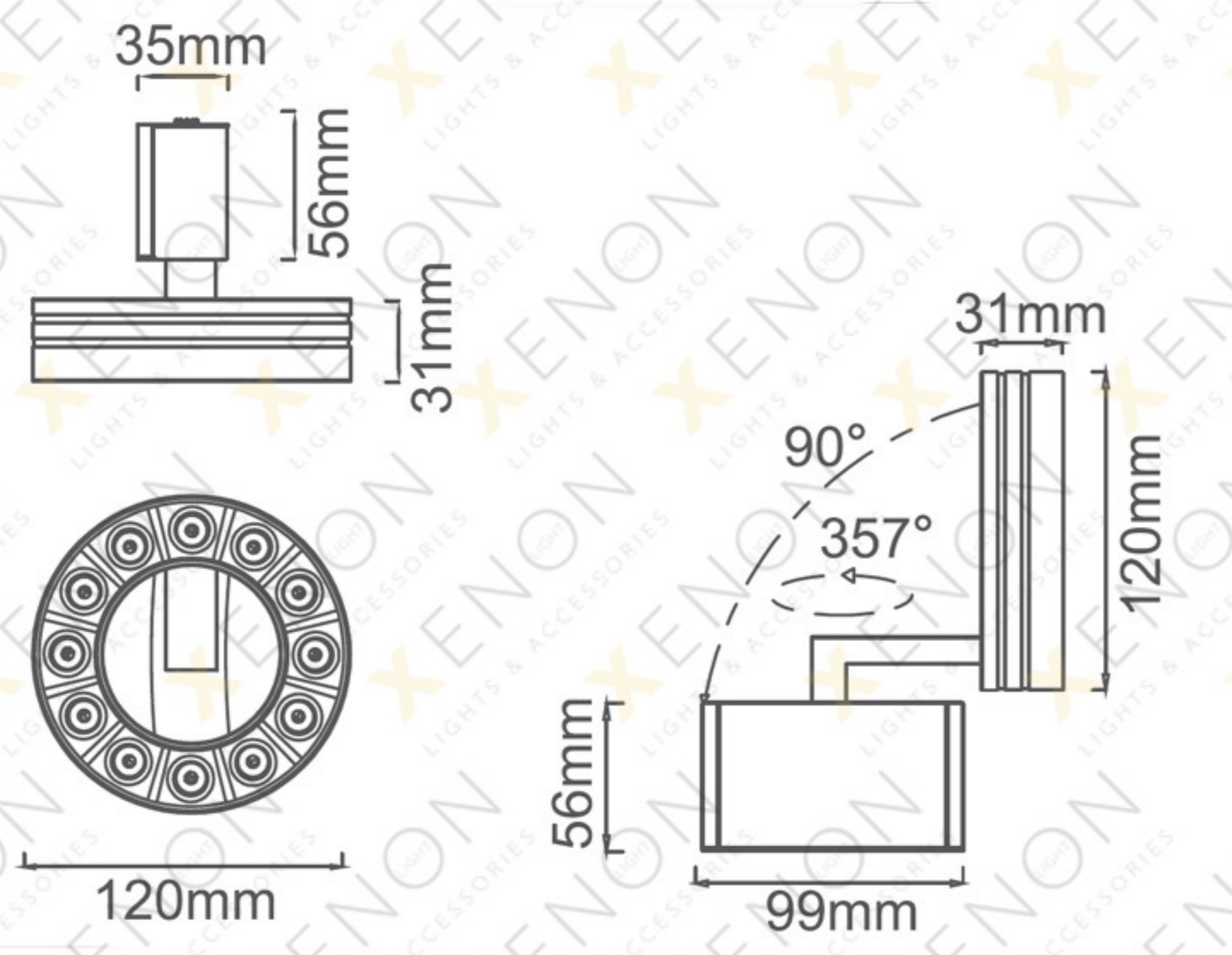


LSA9080R CURVY 12W 24V



SNAGA	CRI	CCT	UGAO	LUMEN
12W	>90	3000K	34°	950Lm

Crna



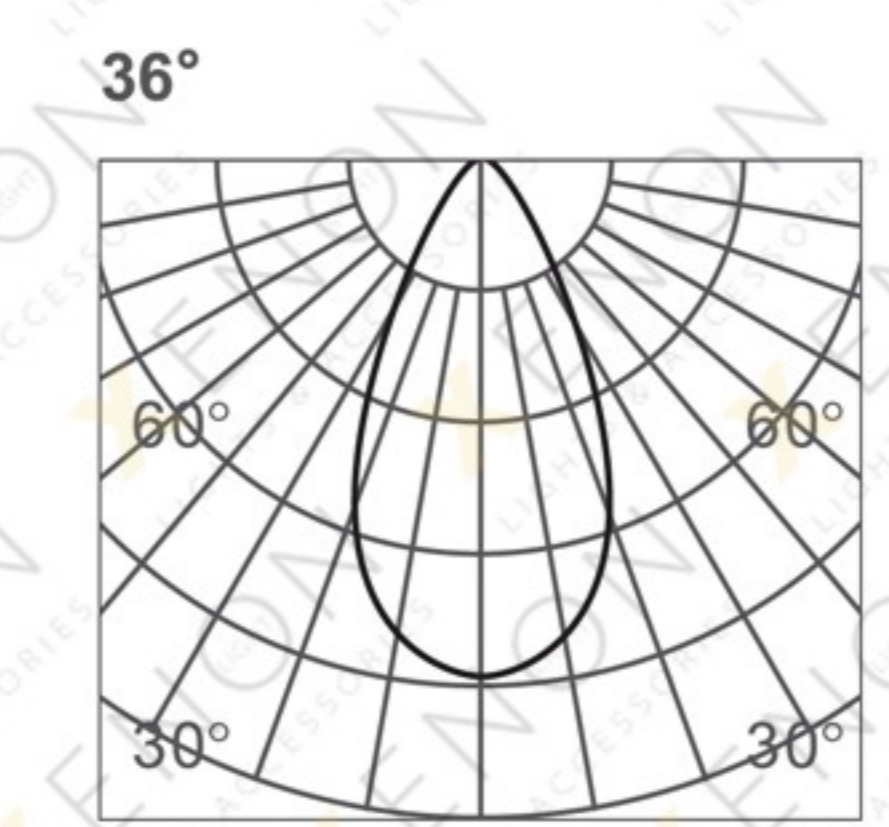
LSA3060DR CURVY 10W 24V



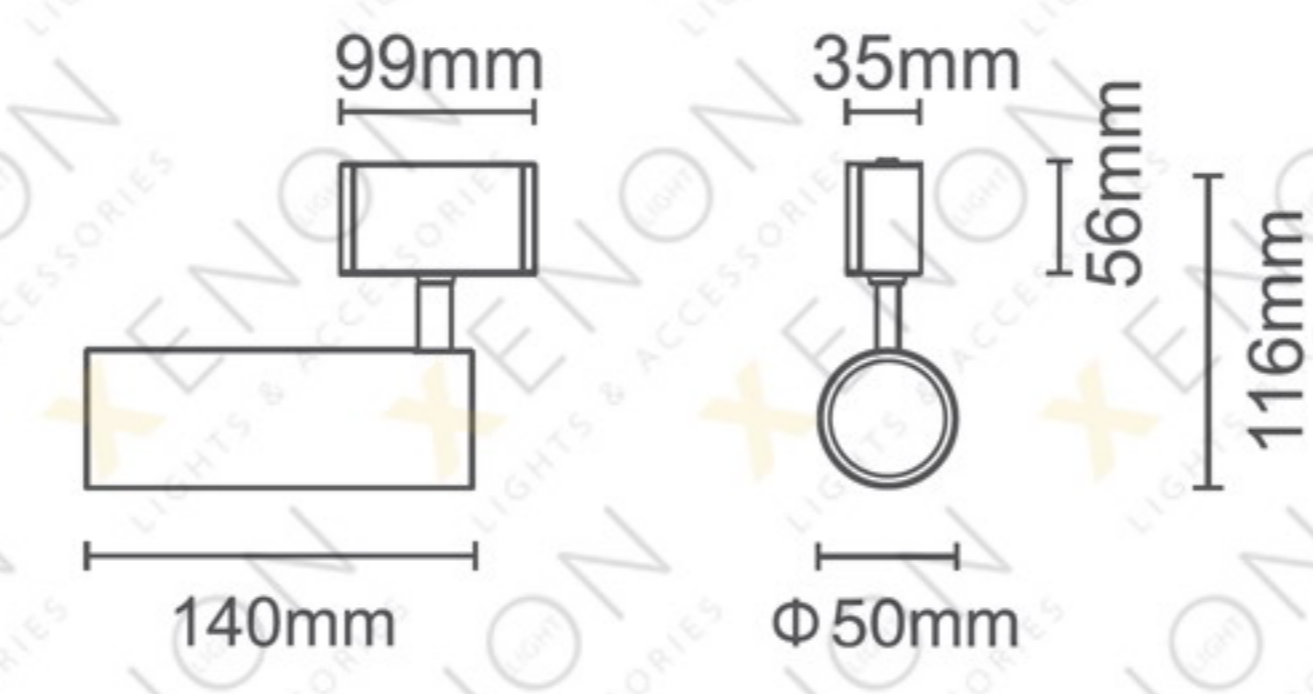
SNAGA	CRI	CCT	UGAO	LUMEN
10W	>90	3000K	36°	682Lm

Crna

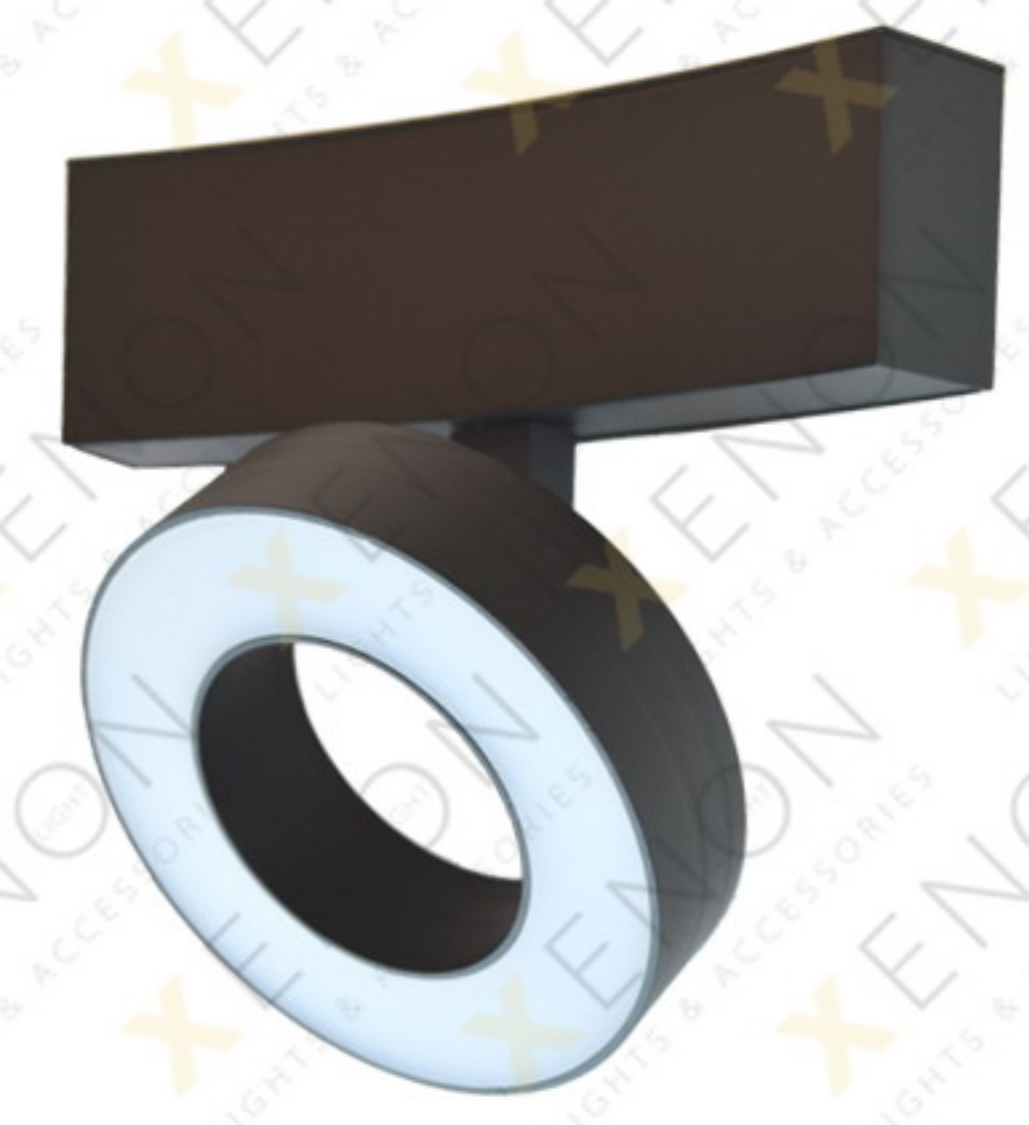
DISTRIBUCIJA SVETLA



h(m)	E(lx)	Φ(m)
1	2154	Φ0.64
2	538	Φ1.28
3	239	Φ1.92
4	134	Φ2.56
5	86	Φ3.21

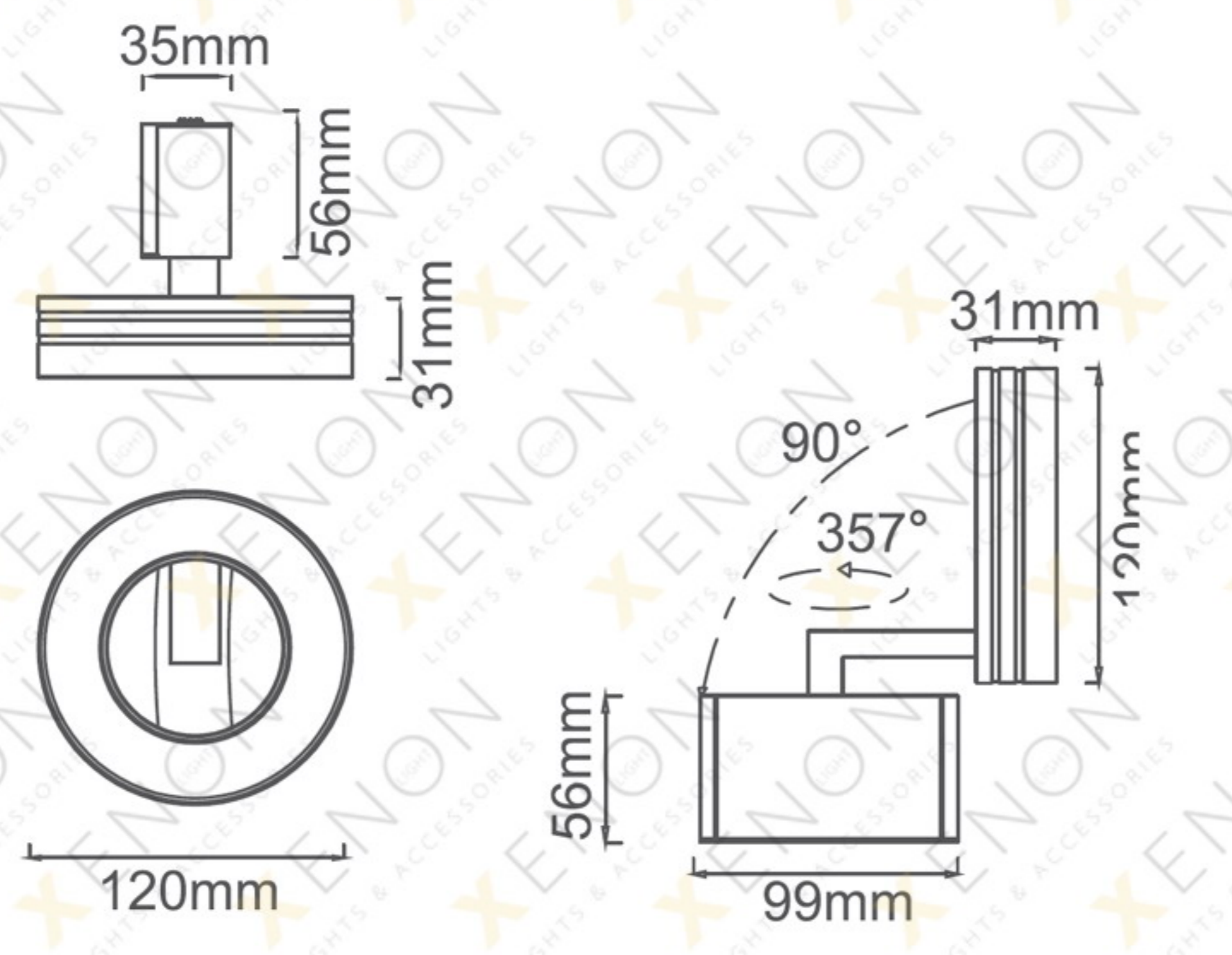


LSA5080R CURVY 12W 24V

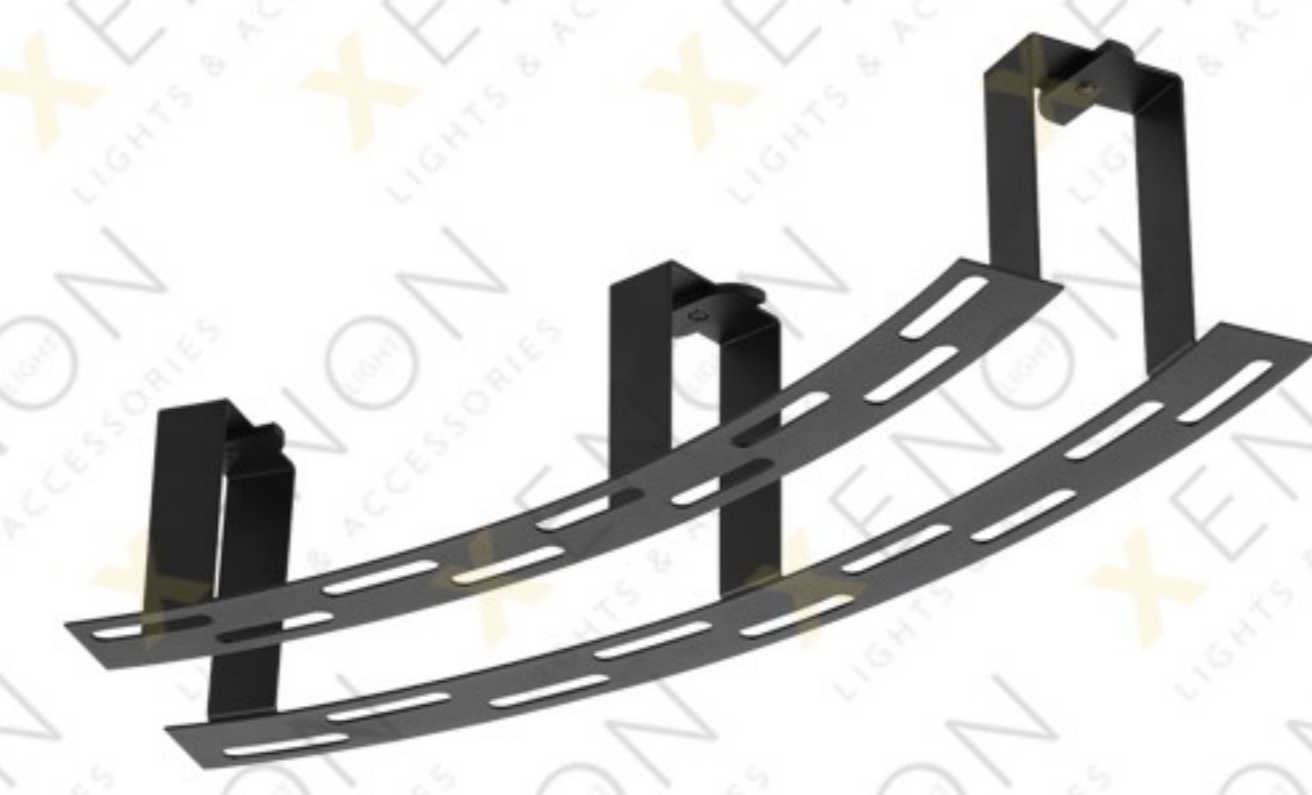


SNAGA	CRI	CCT	UGAO	LUMEN
12W	>90	3000K	100°	470Lm

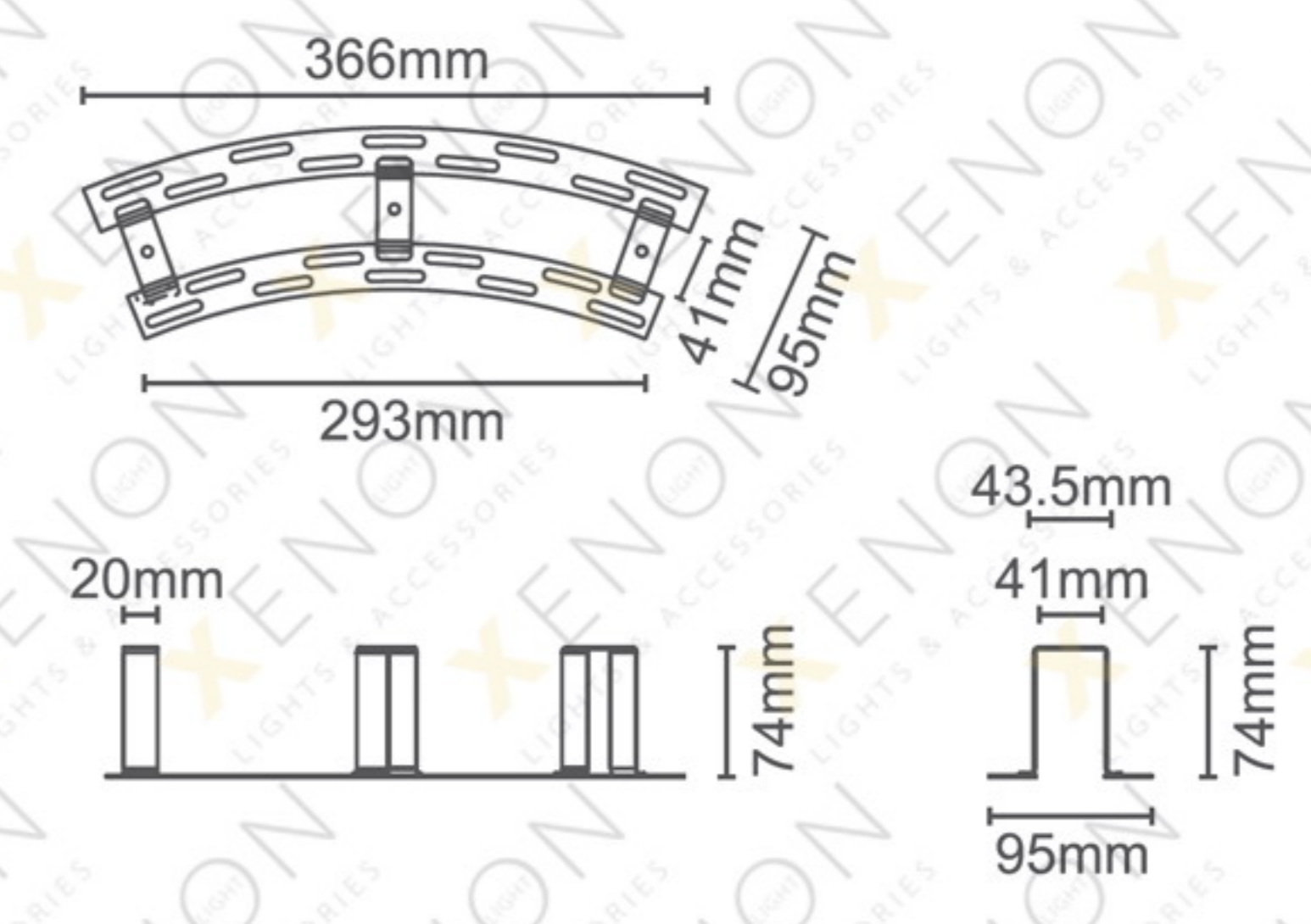
Crna



NOSAČ ZA LST CURVY



Crna



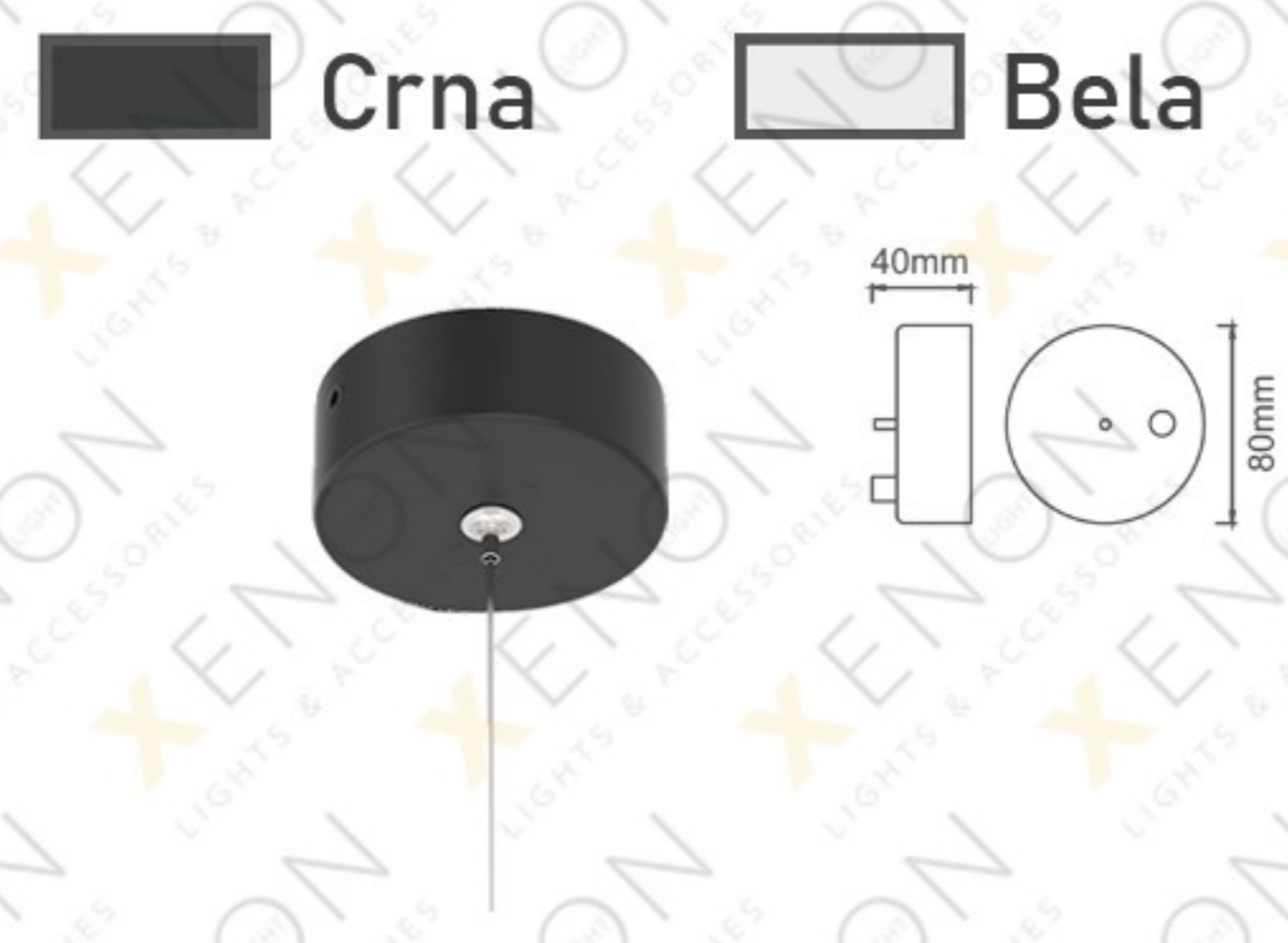
set za montažu LWT



sajla sa nosačem LST A+B



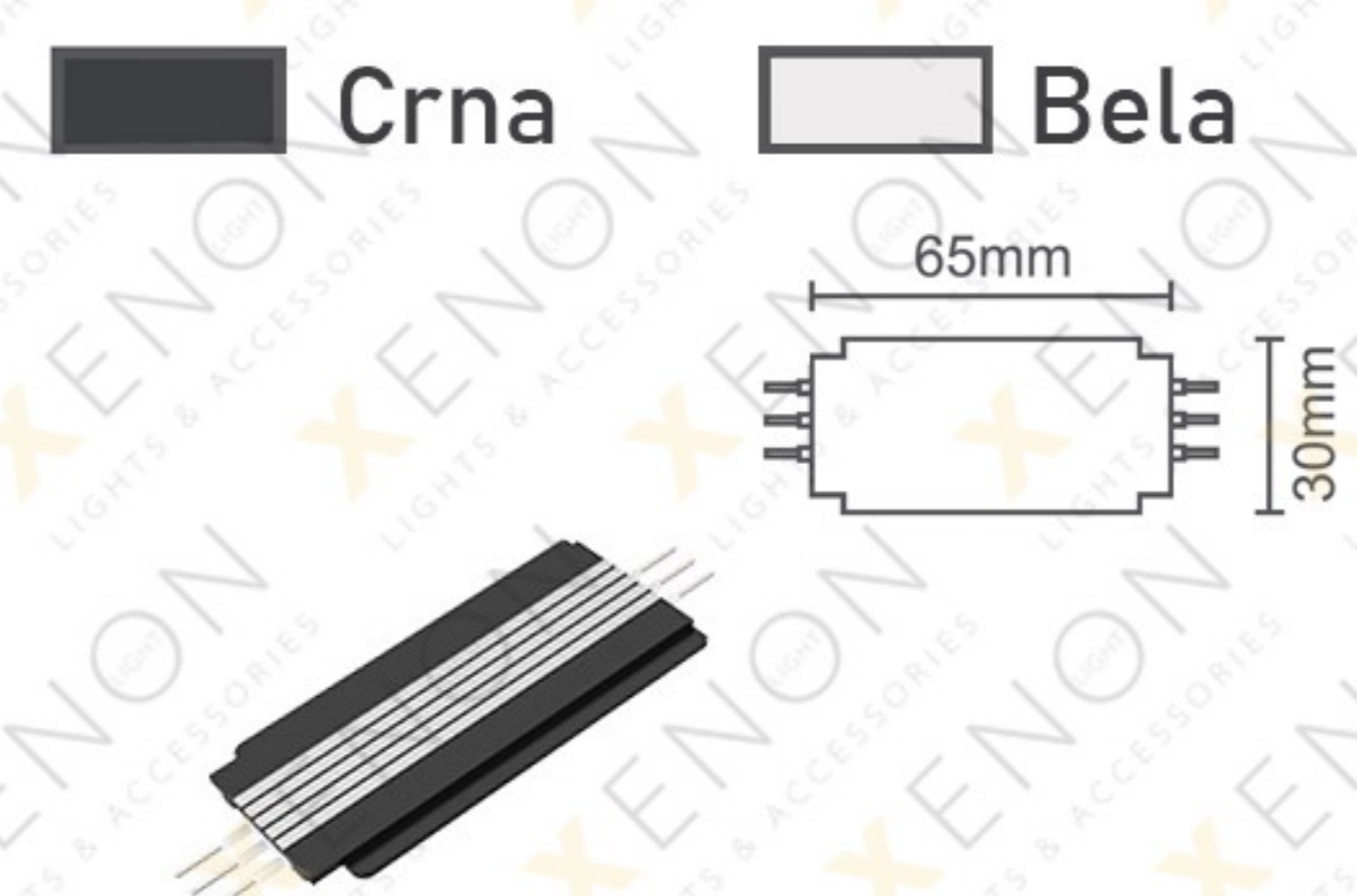
sajla sa nosačem LST B



konektor spoj za šinu



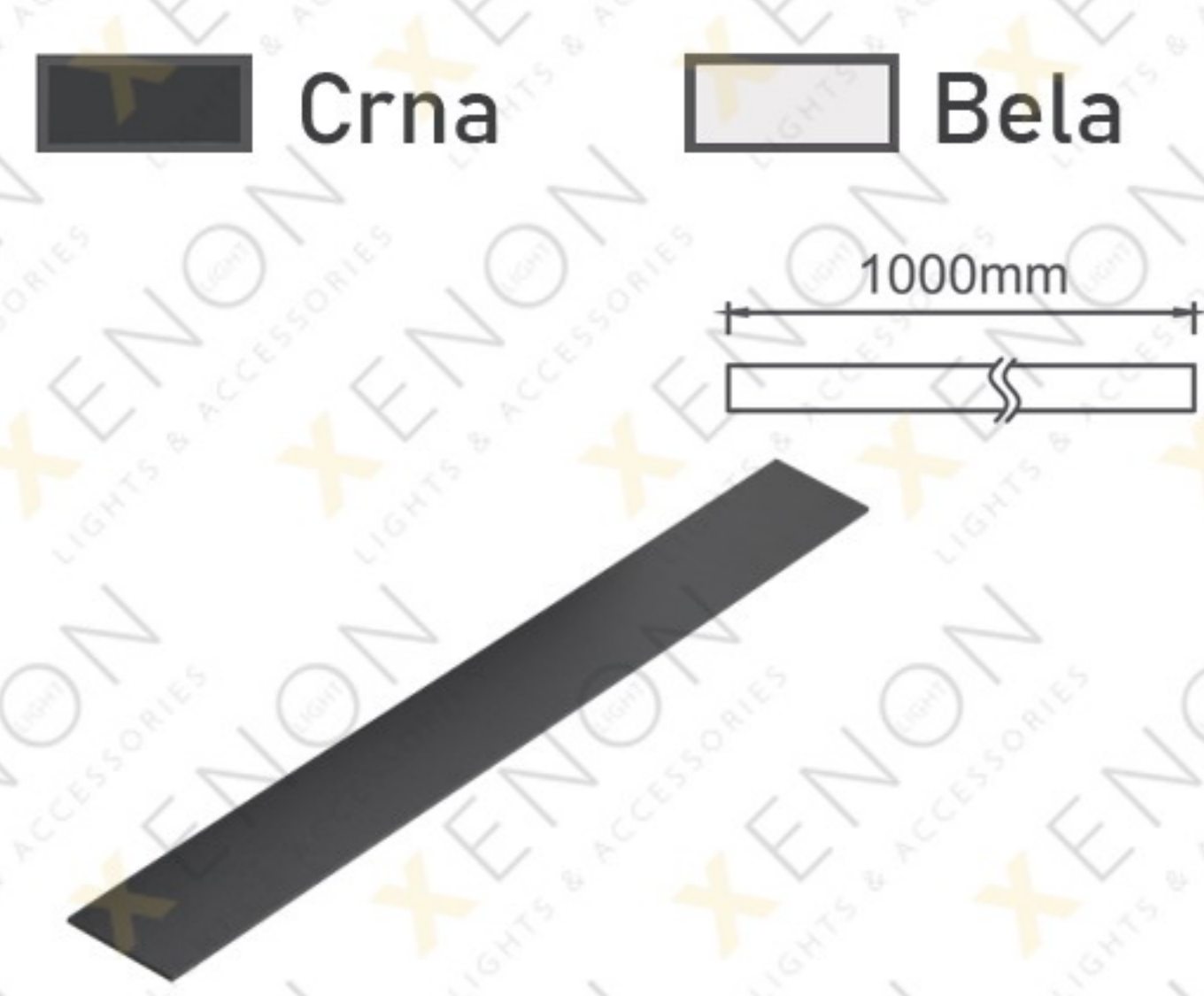
konektor spoj 65mm



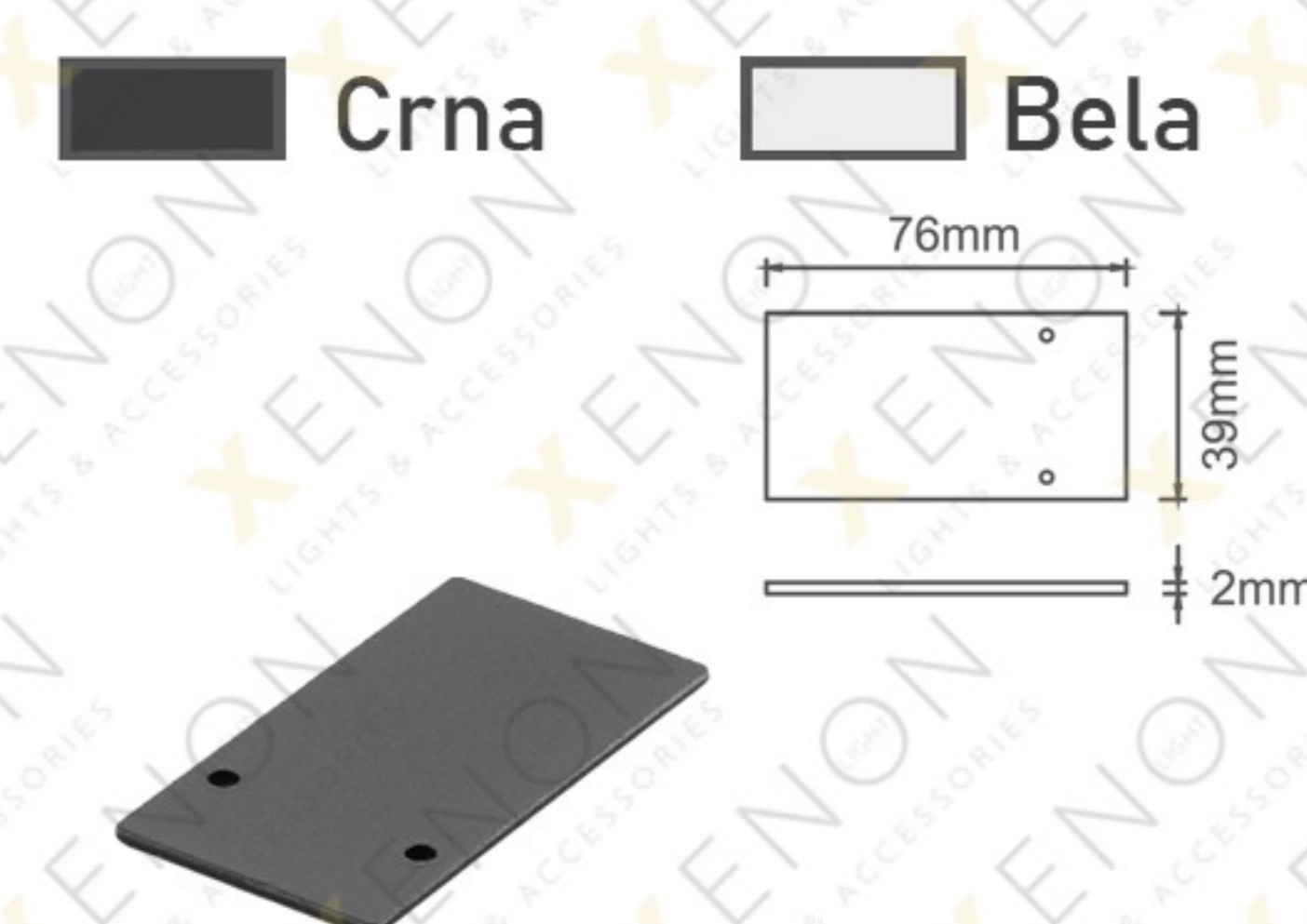
nosač za šinu LST



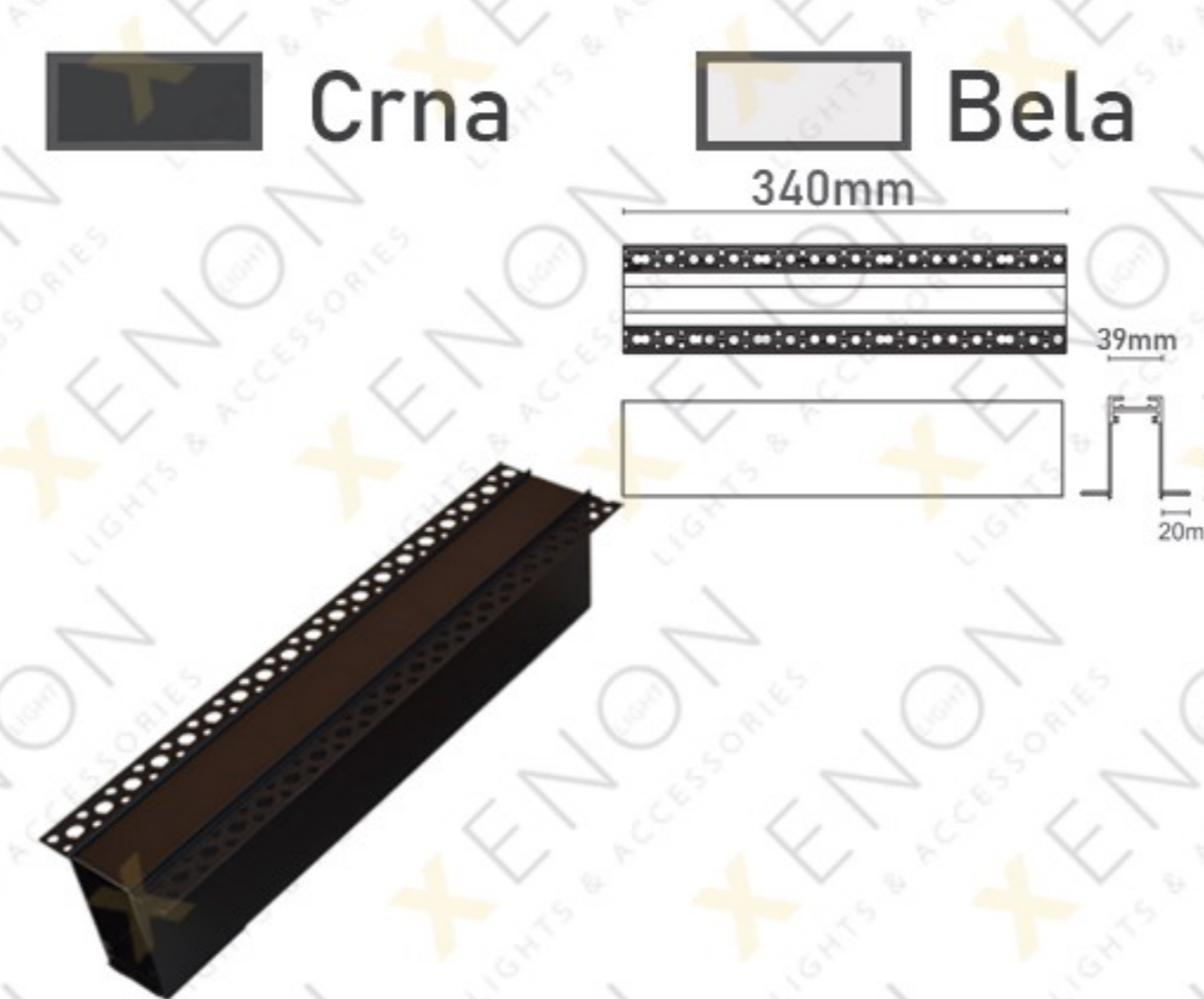
poklopac za šinu



čep za šinu



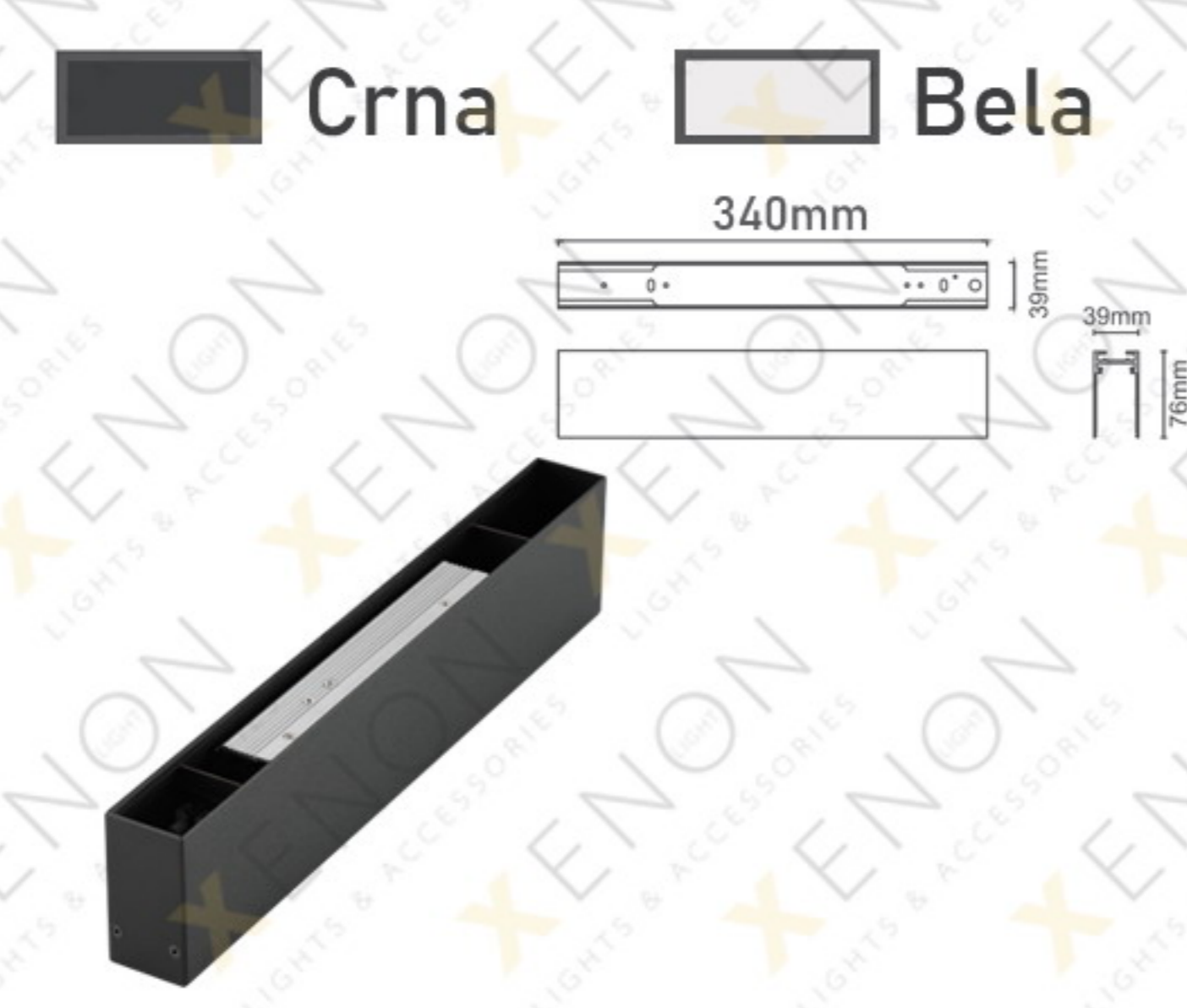
napajanje box ugradni 60W



napajanje box ugradni 200W

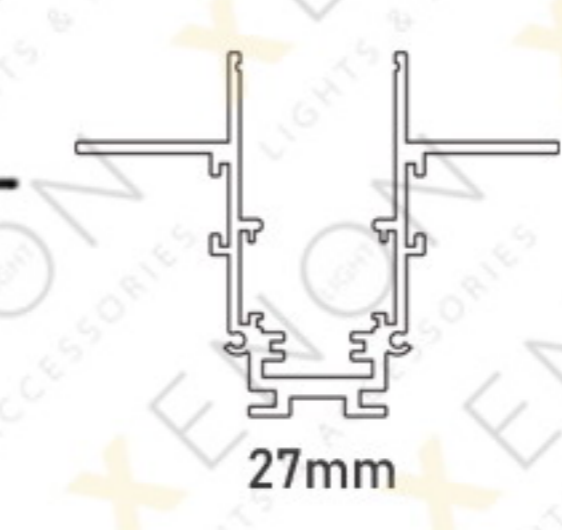


napajanje box nadgradni 60W

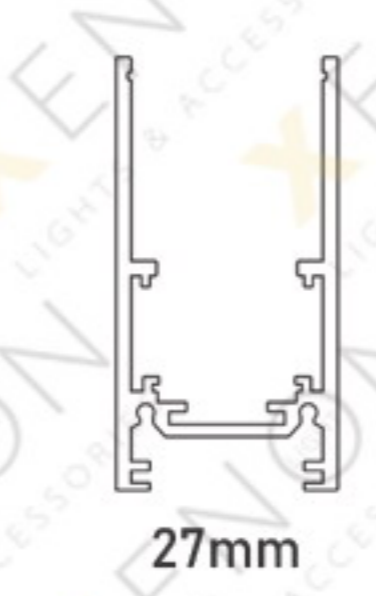


napajanje box nadgradni 200W



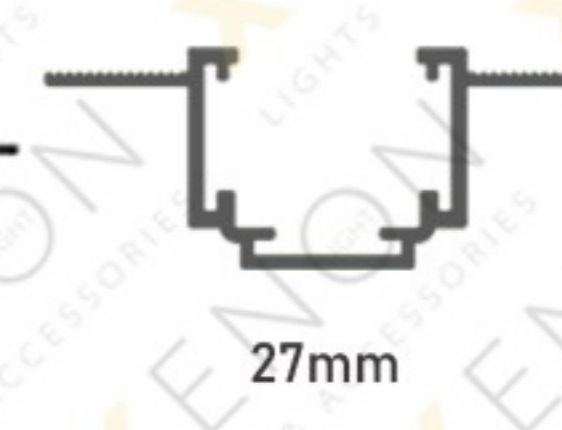


• Ugradne

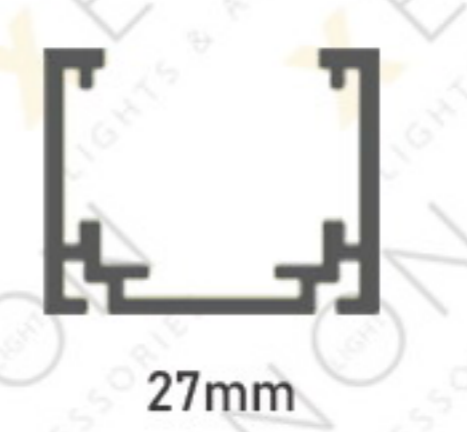


• Nadgradne
• Viseće
• Ugradne

MAGNETNE 48V | ŠINE mini 27mm



• Ugradne



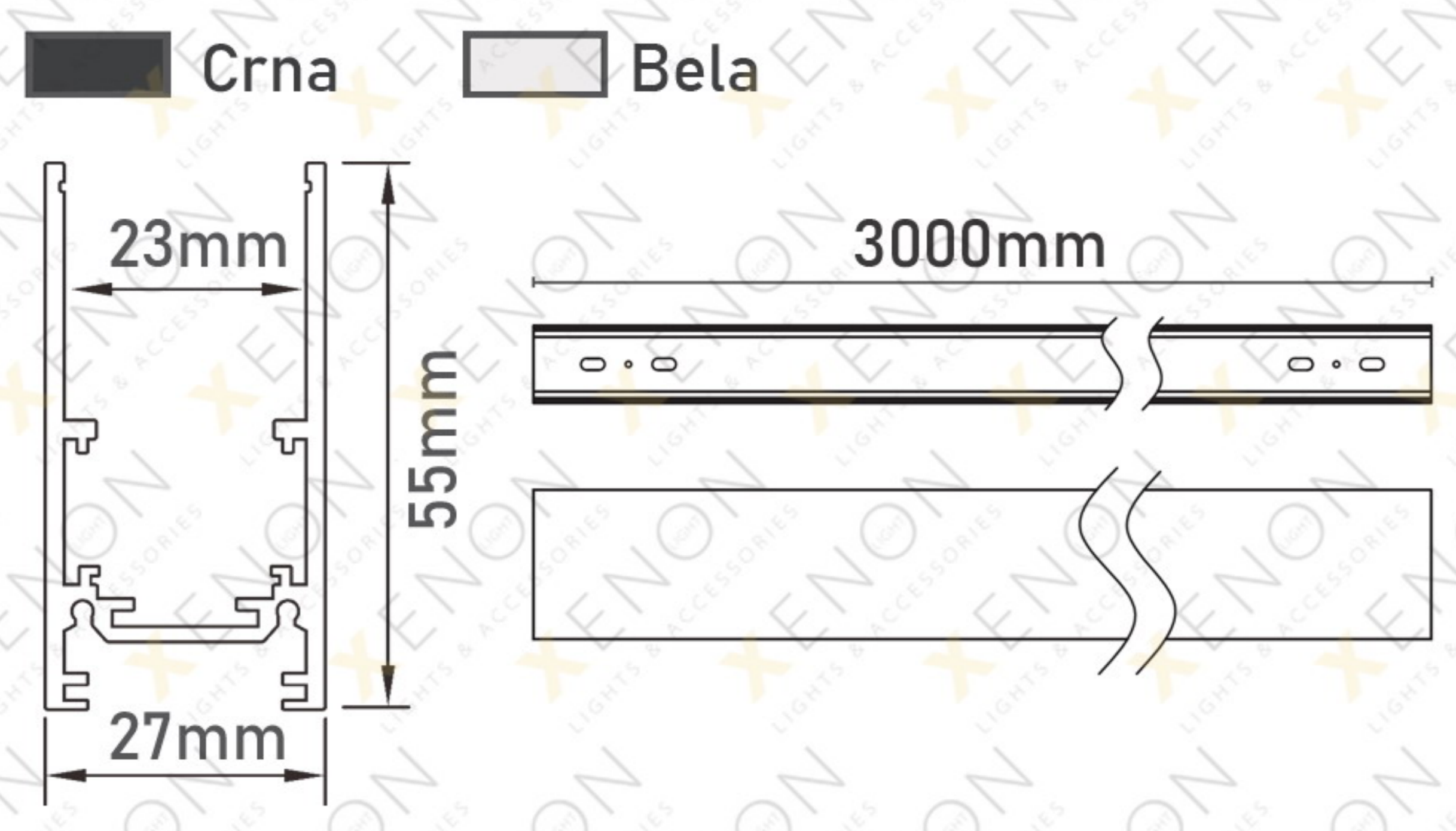
• Nadgradne
• Viseće
• Ugradne

MAGNETNE 48V | ŠINE mini II 27mm

LST mini 48V

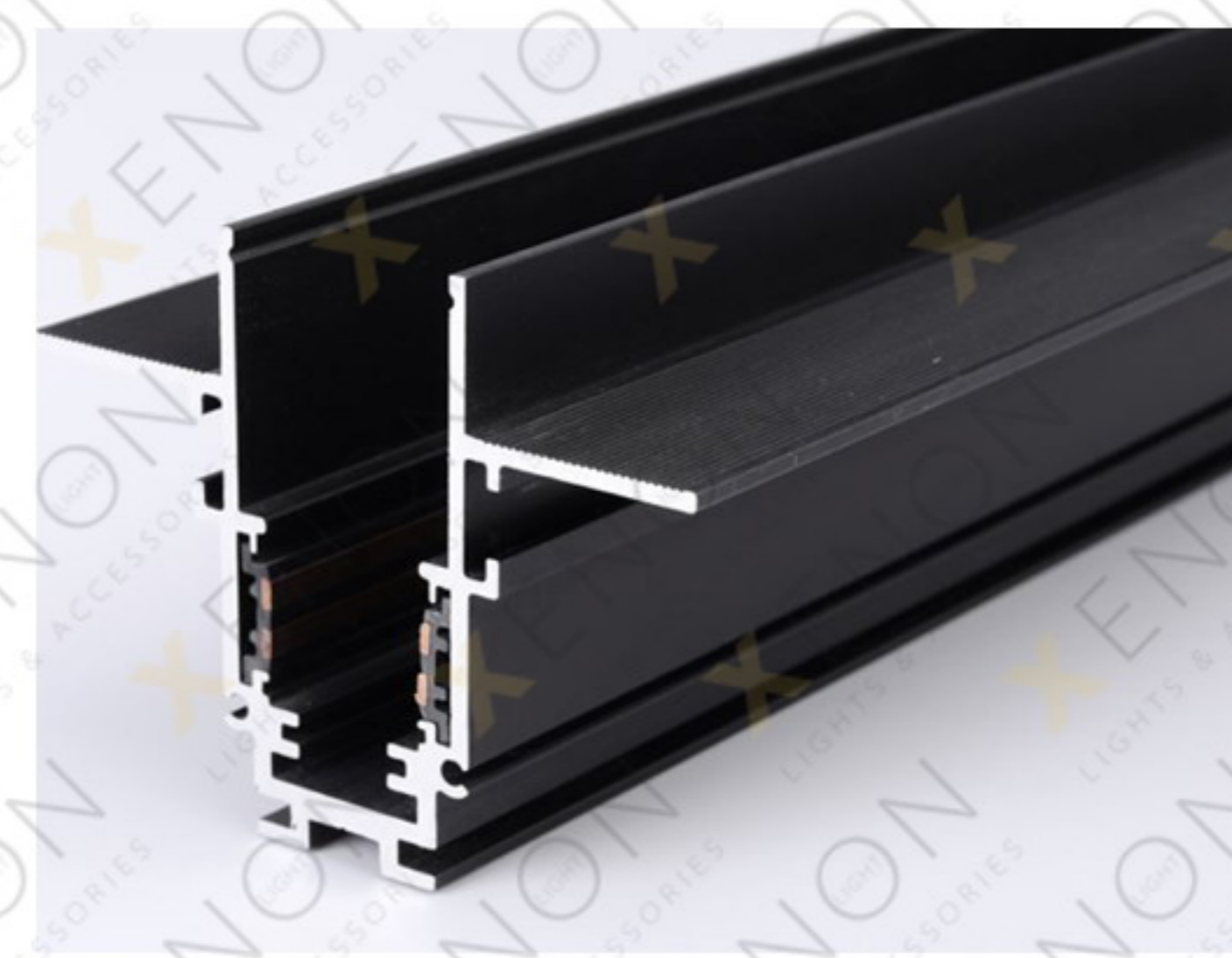


MODEL	DUŽINA
LST mini-3M	3000mm

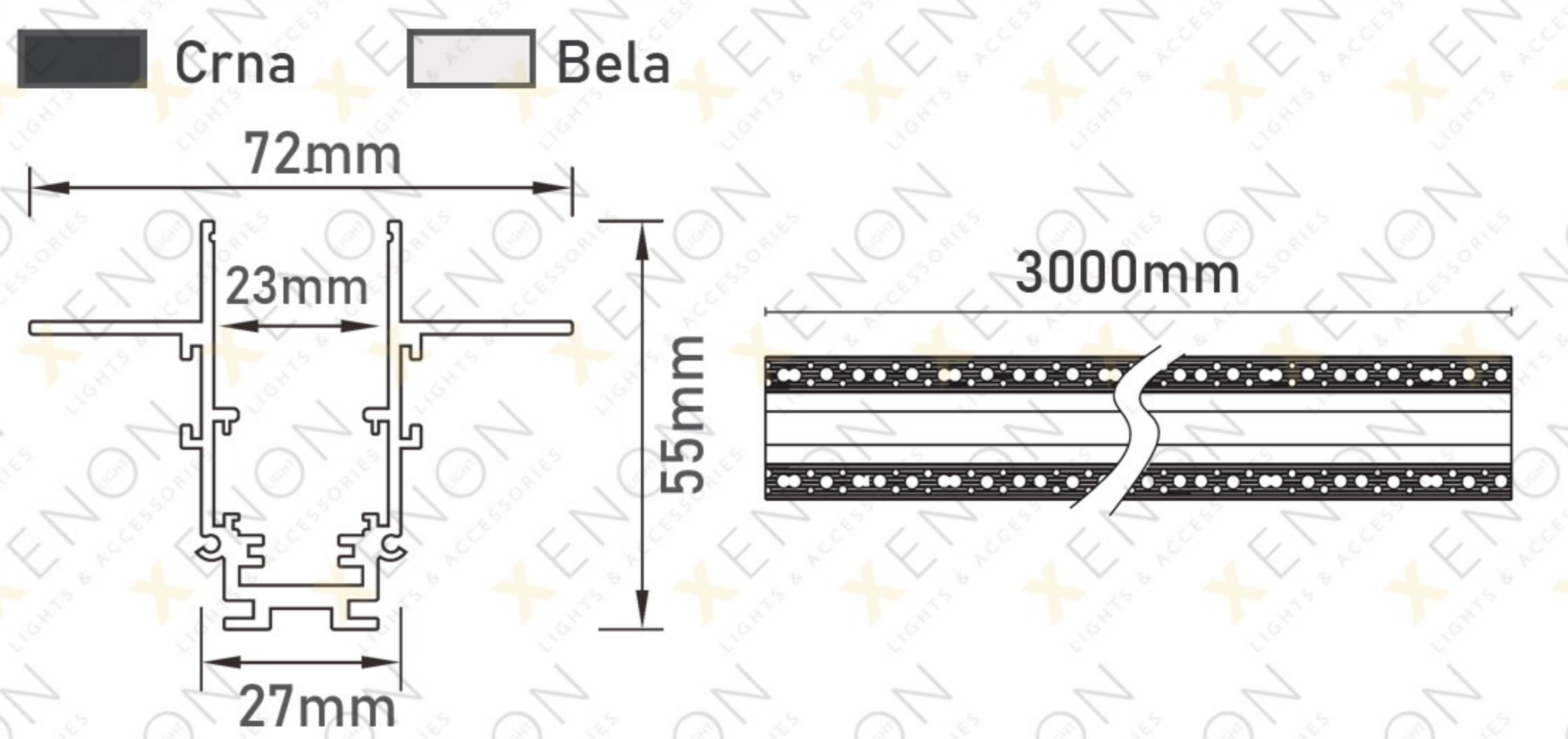


■ Crna □ Bela

LWT mini 48V



MODEL	DUŽINA
LWT mini -3M	3000mm



■ Crna □ Bela

KONEKTORI

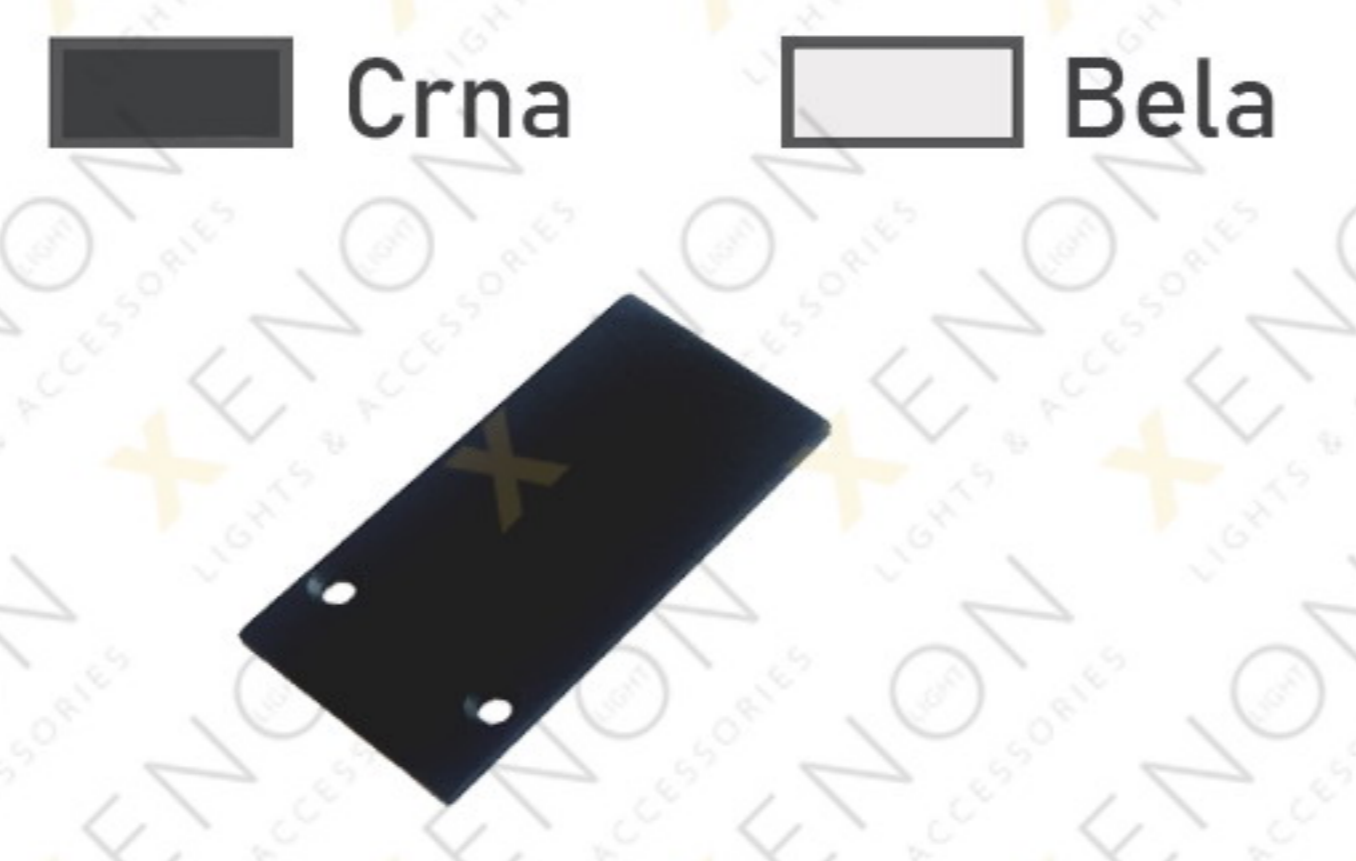
LST-L02



LST-J02 inner



čep za šinu LST mini



KONEKTORI

LWT-L02



LWT-J02 inner



čep za šinu LWT mini



DODATNA OPREMA

LDT-J02



LDT-E02



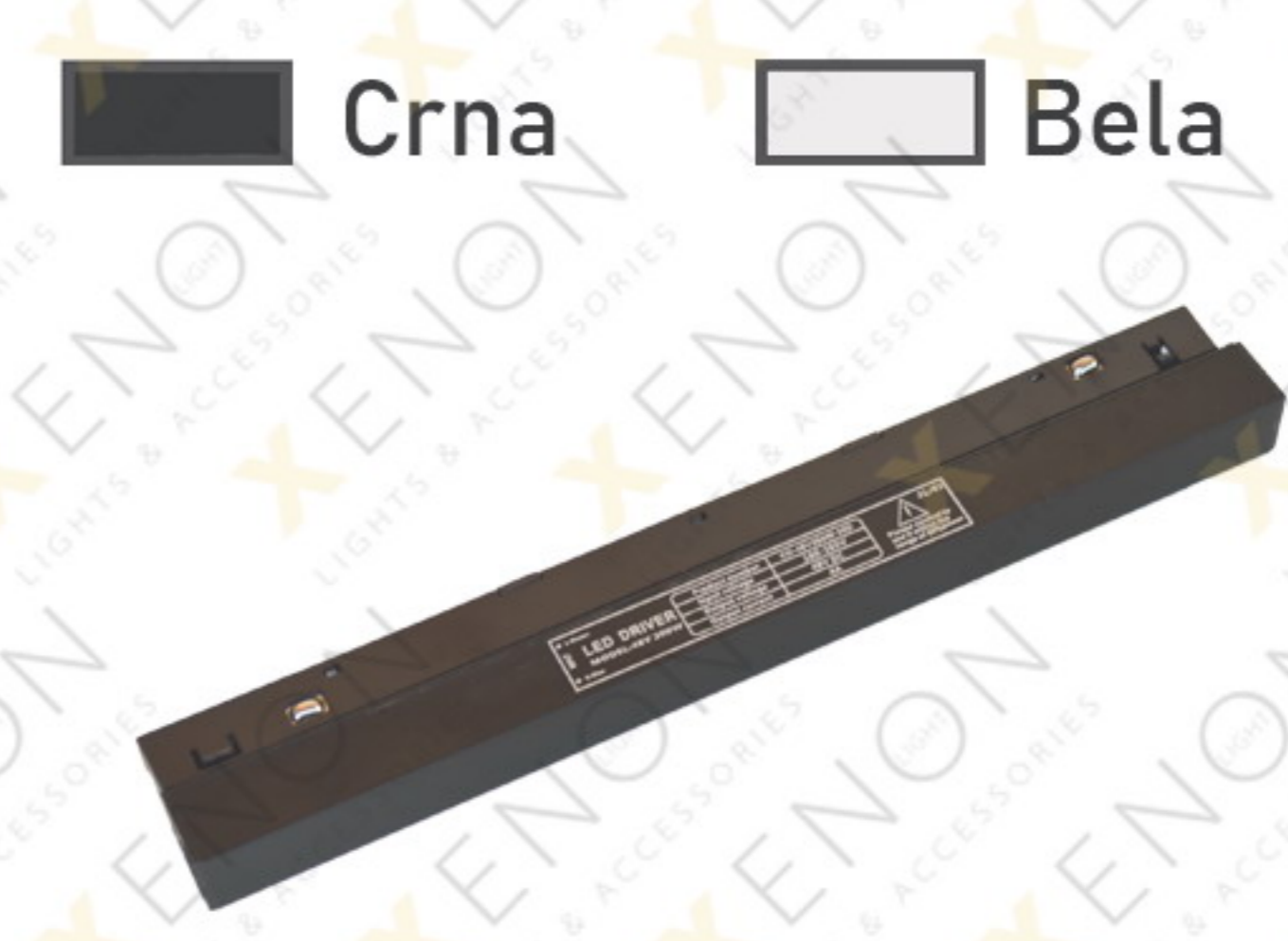
LDT-L02



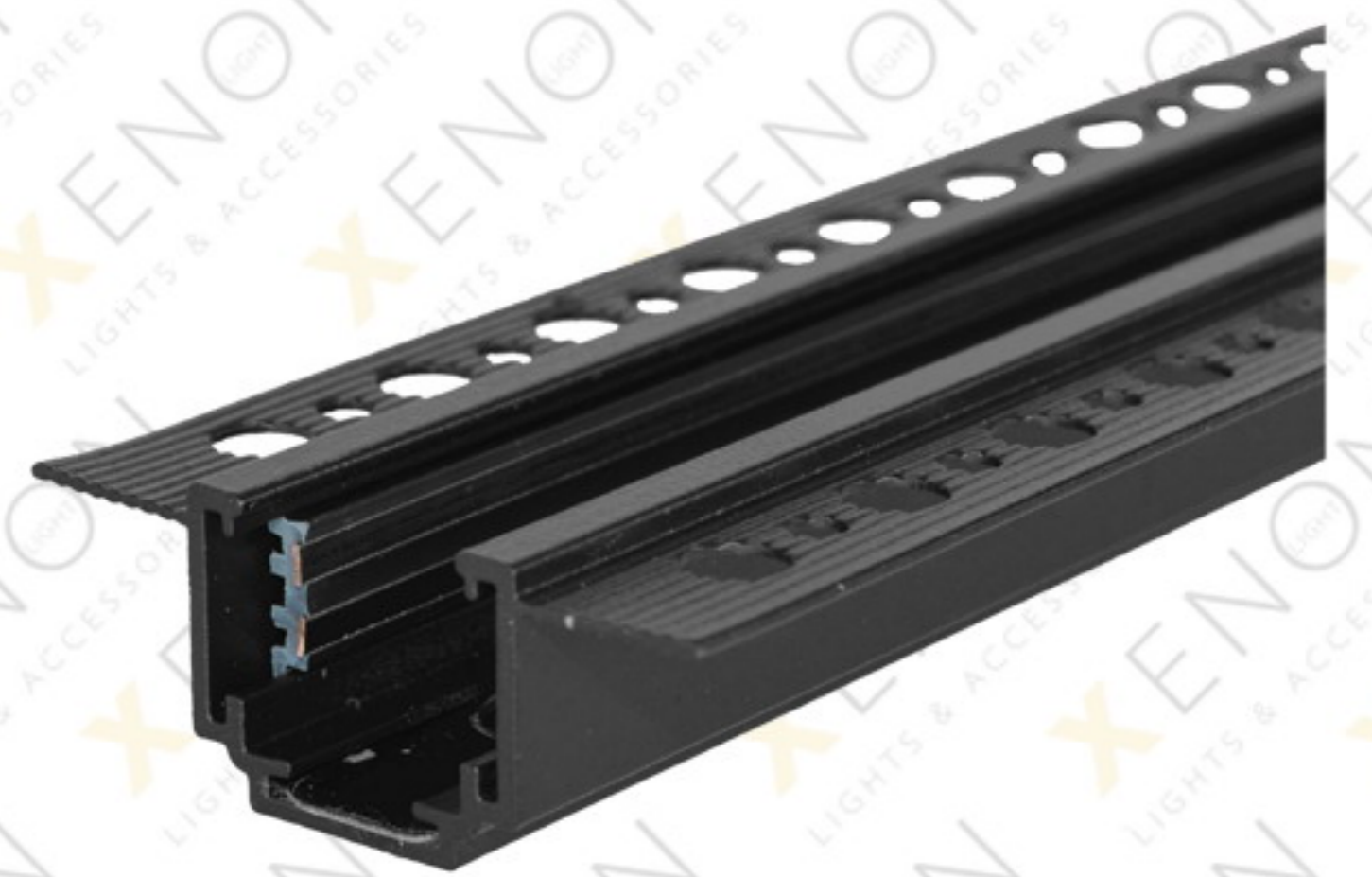
RSP-200-48



KR-100-48

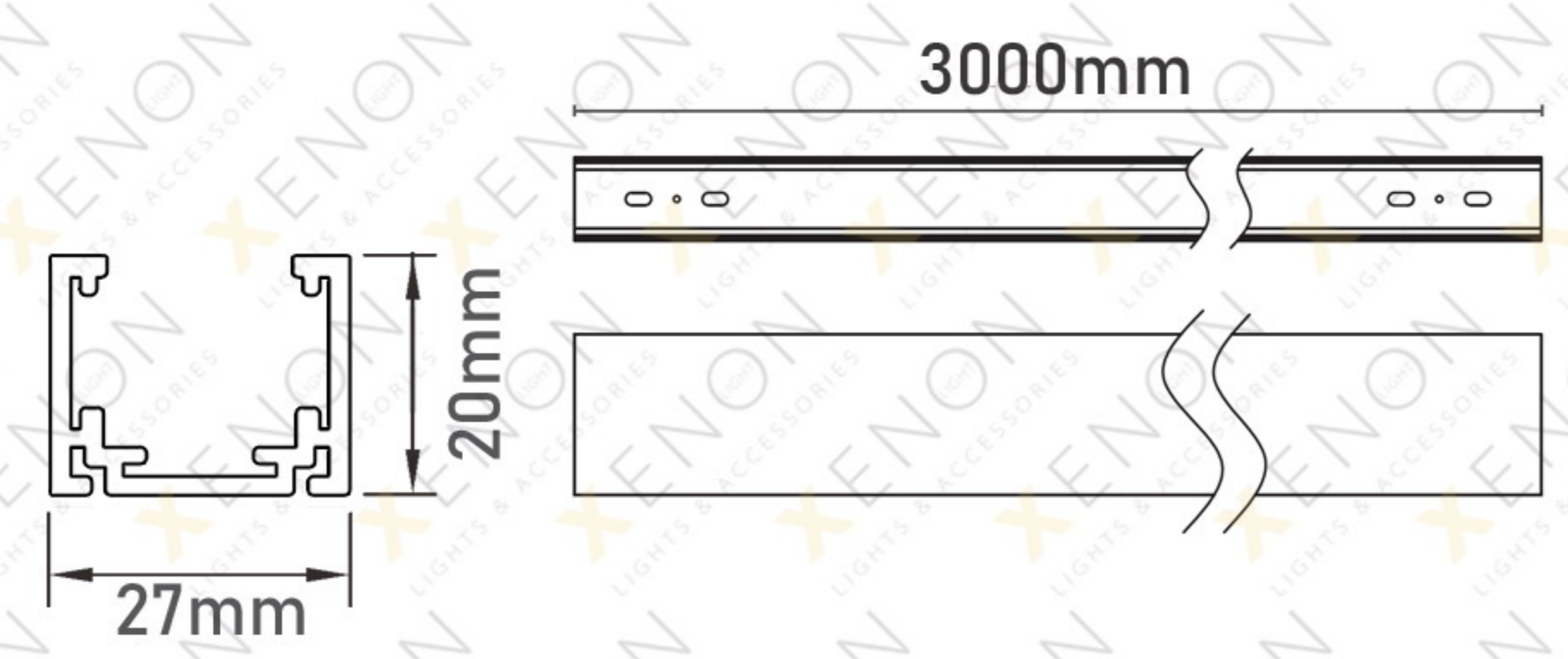


LST mini II 48V

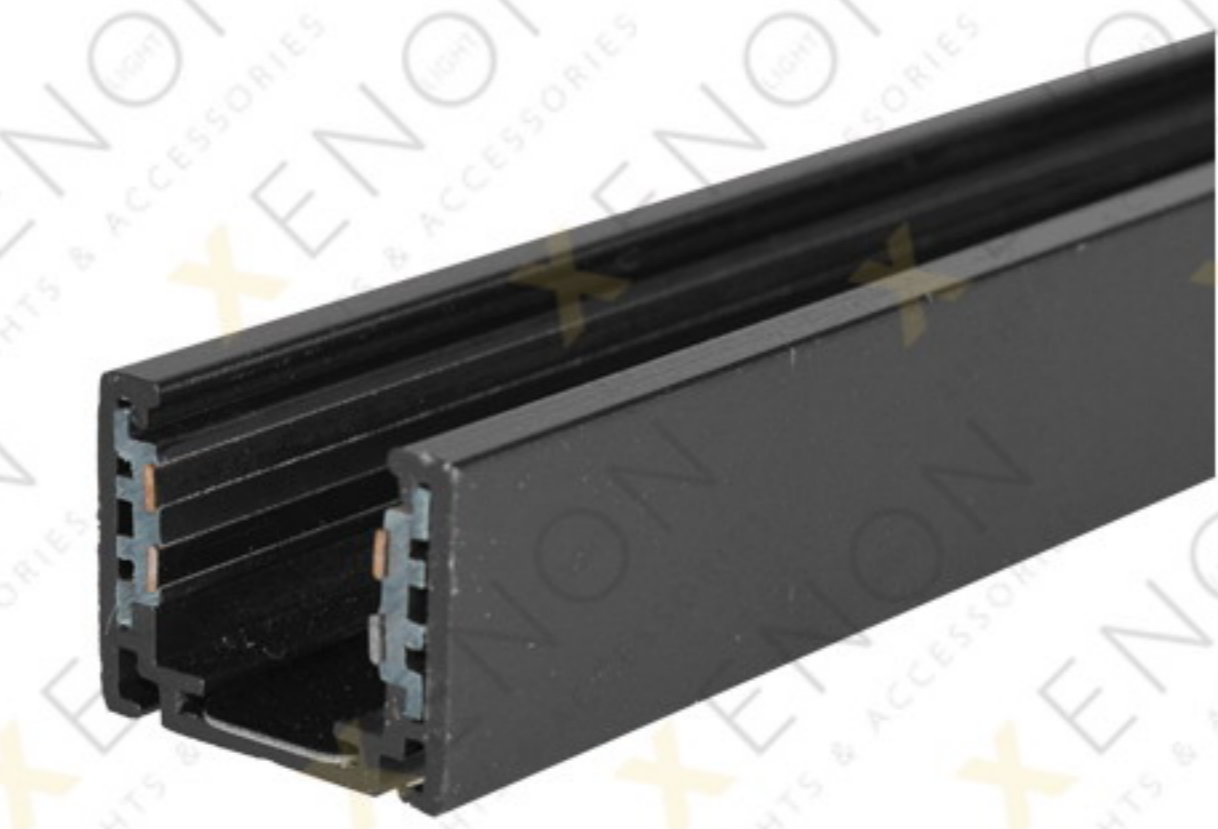


MODEL DUŽINA
LST mini II-3M 3000mm

Crna

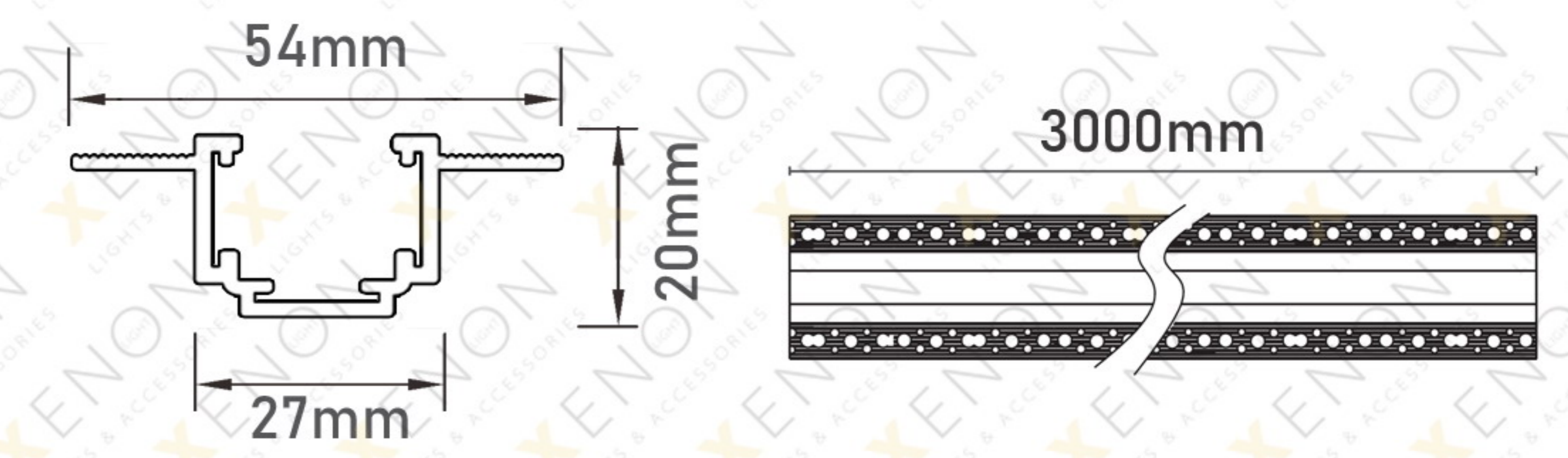


LWT mini II 48V



MODEL DUŽINA
LWT mini II -3M 3000mm

Crna



KONEKTORI

LST-L02 mini II

Crna



čep za šinu LST mini II

Crna



KONEKTORI

LWT-L02 mini II

Crna



čep za šinu LWT mini II

Crna



DODATNA OPREMA

LDT-J02

Crna Bela



LDT-E02

Crna Bela



LDT-L02

Crna Bela



RSP-200-48

Crna Bela



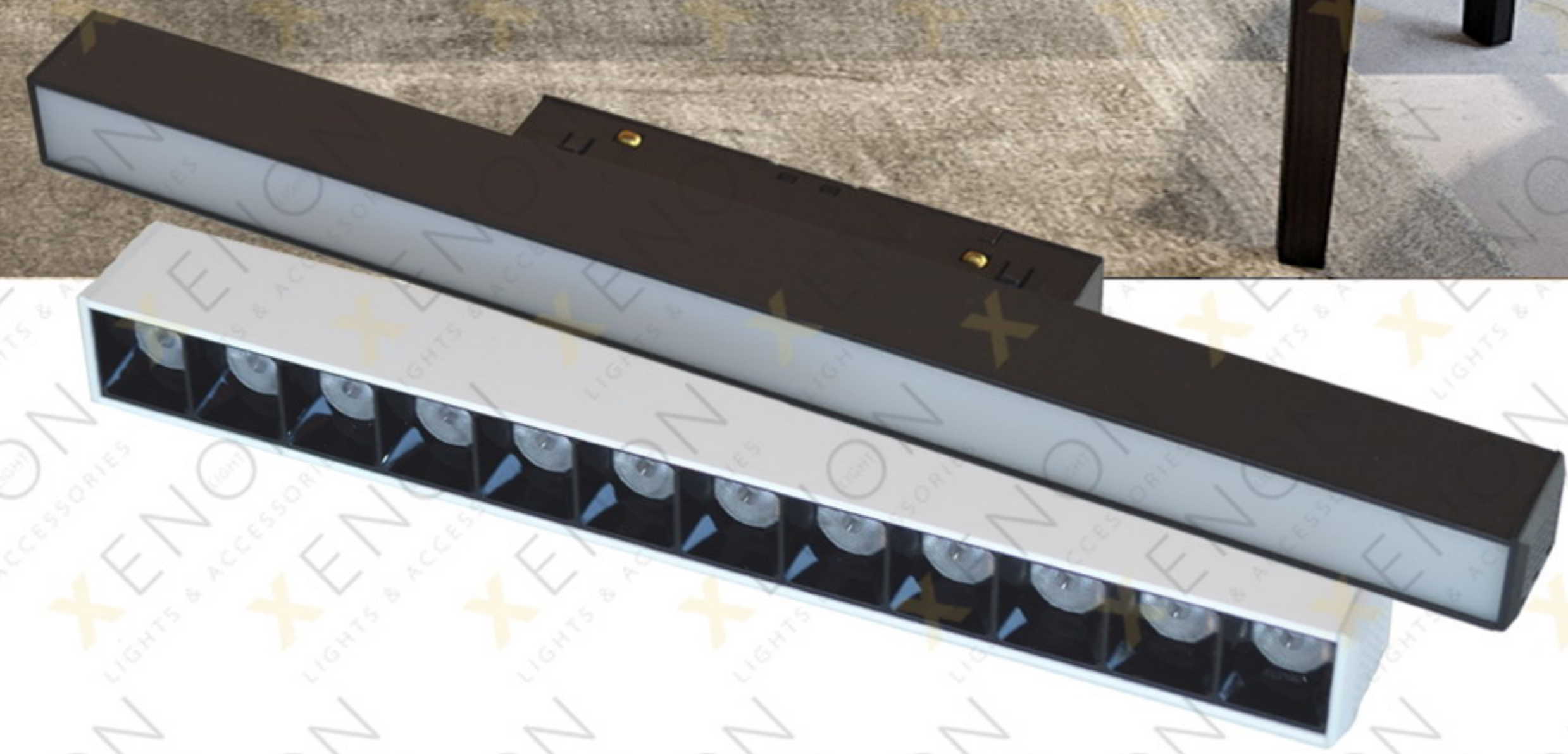
KR-100-48

Crna Bela





MAGNETNE 48V | LINEAR serija

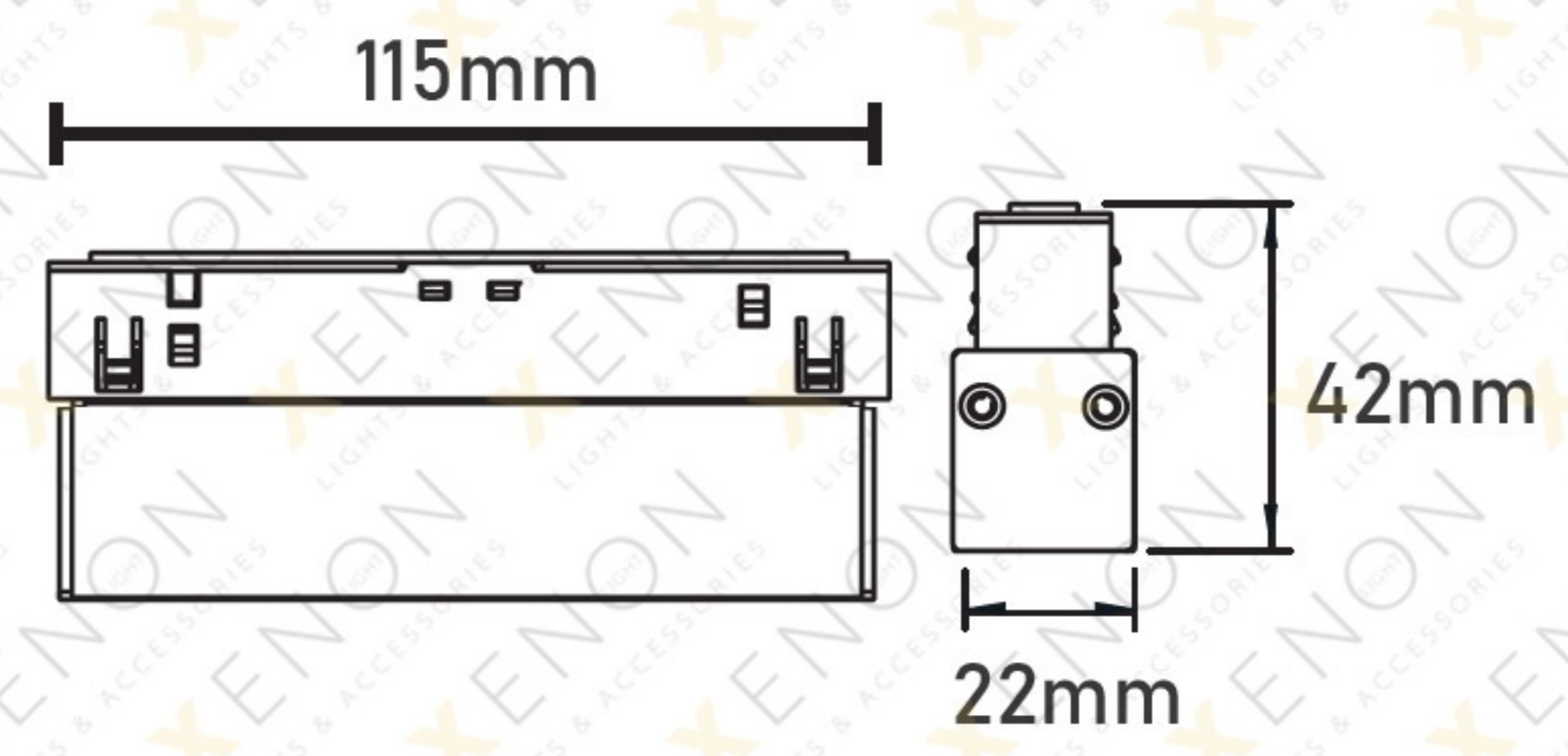


LLA2206S 6W 48V

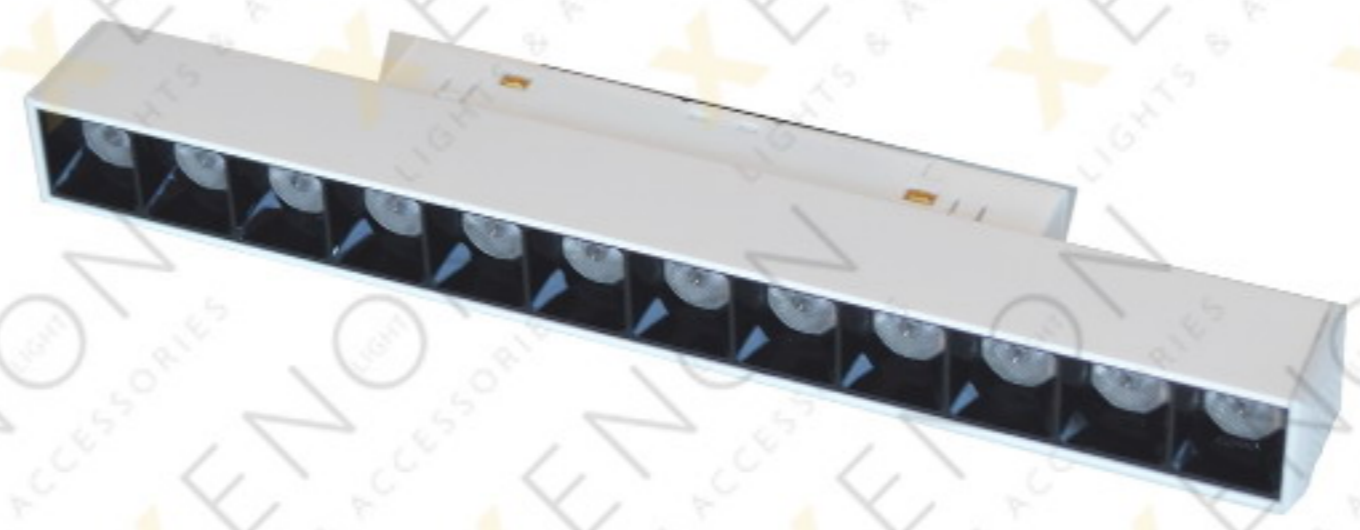


SNAGA	CRI	CCT	UGAO	LUMEN
6W	80	3000K/4000K	24°	90Lm/W

■ Crna □ Bela

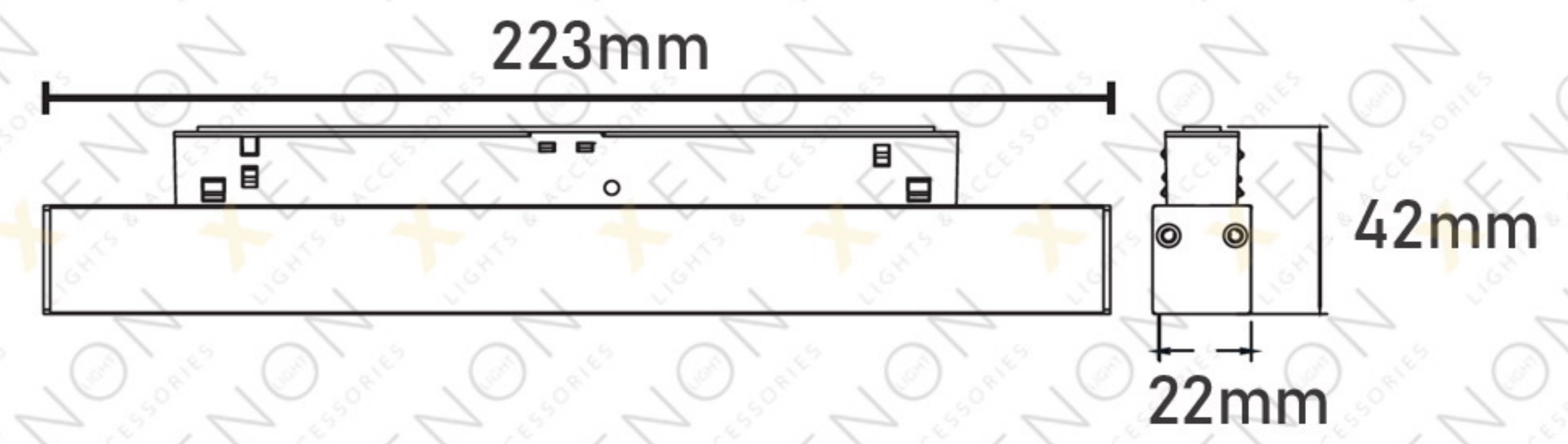


LLA2212S 12W 48V



SNAGA	CRI	CCT	UGAO	LUMEN
12W	80	3000K/4000K	24°	90Lm/W

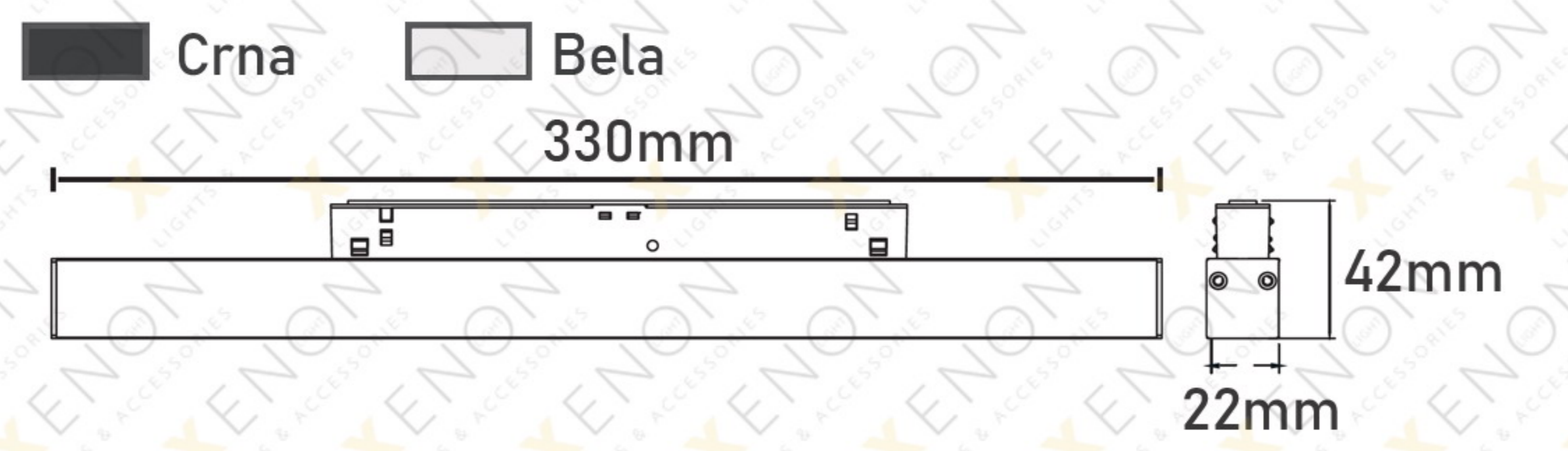
■ Crna □ Bela



LLA2218S 18W 48V



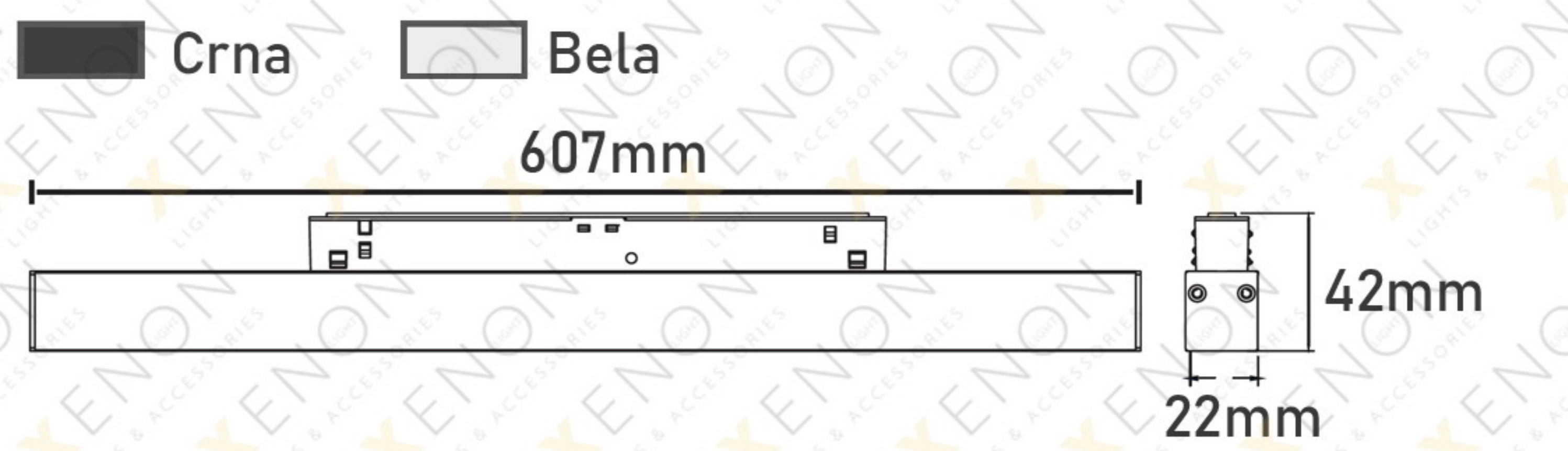
SNAGA	CRI	CCT	UGAO	LUMEN
18W	80	3000K/4000K	24°	90Lm/W



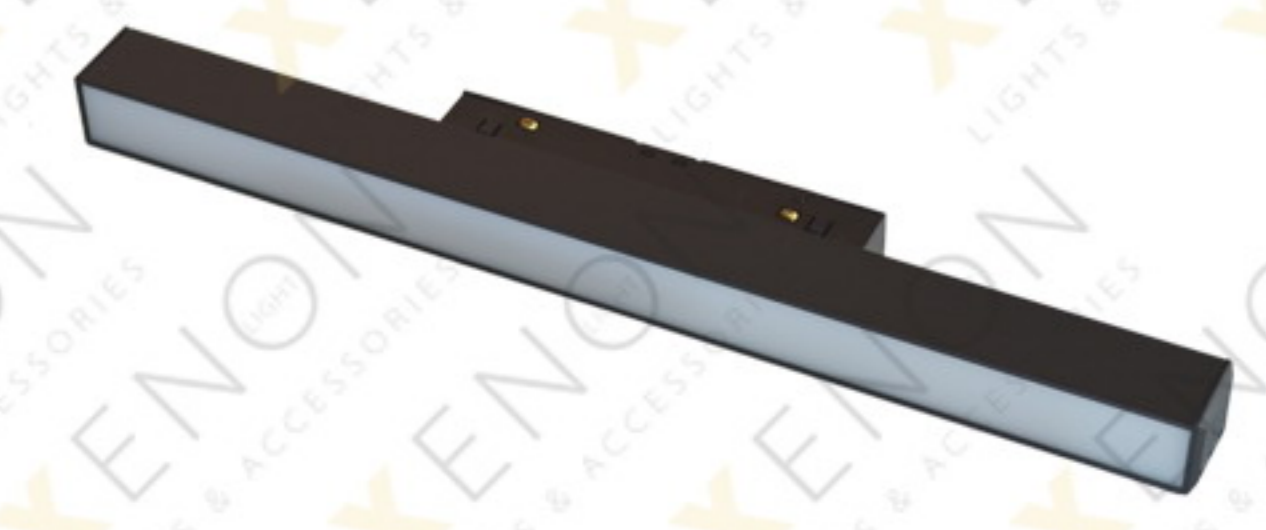
LLB2269S 18W 48V



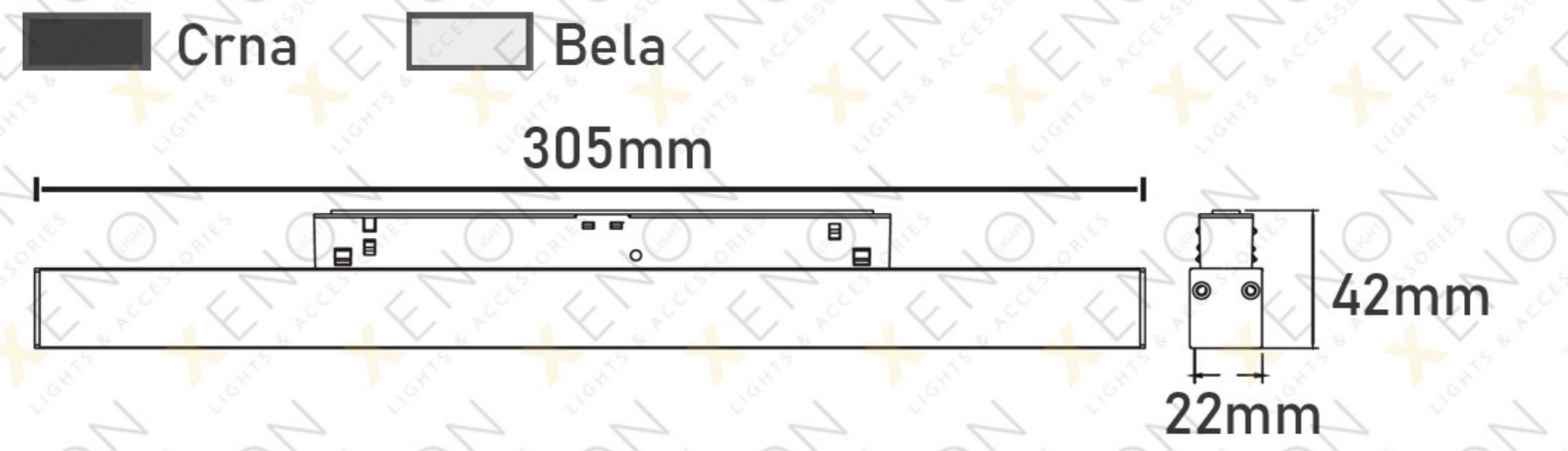
SNAGA	CRI	CCT	UGAO	LUMEN
18W	80	3000K/4000K	100°	80Lm/W



LLB2223S 10W 48V



SNAGA	CRI	CCT	UGAO	LUMEN
10W	80	3000K/4000K	100°	80Lm/W





MAGNETNE 48V | FOLD serija

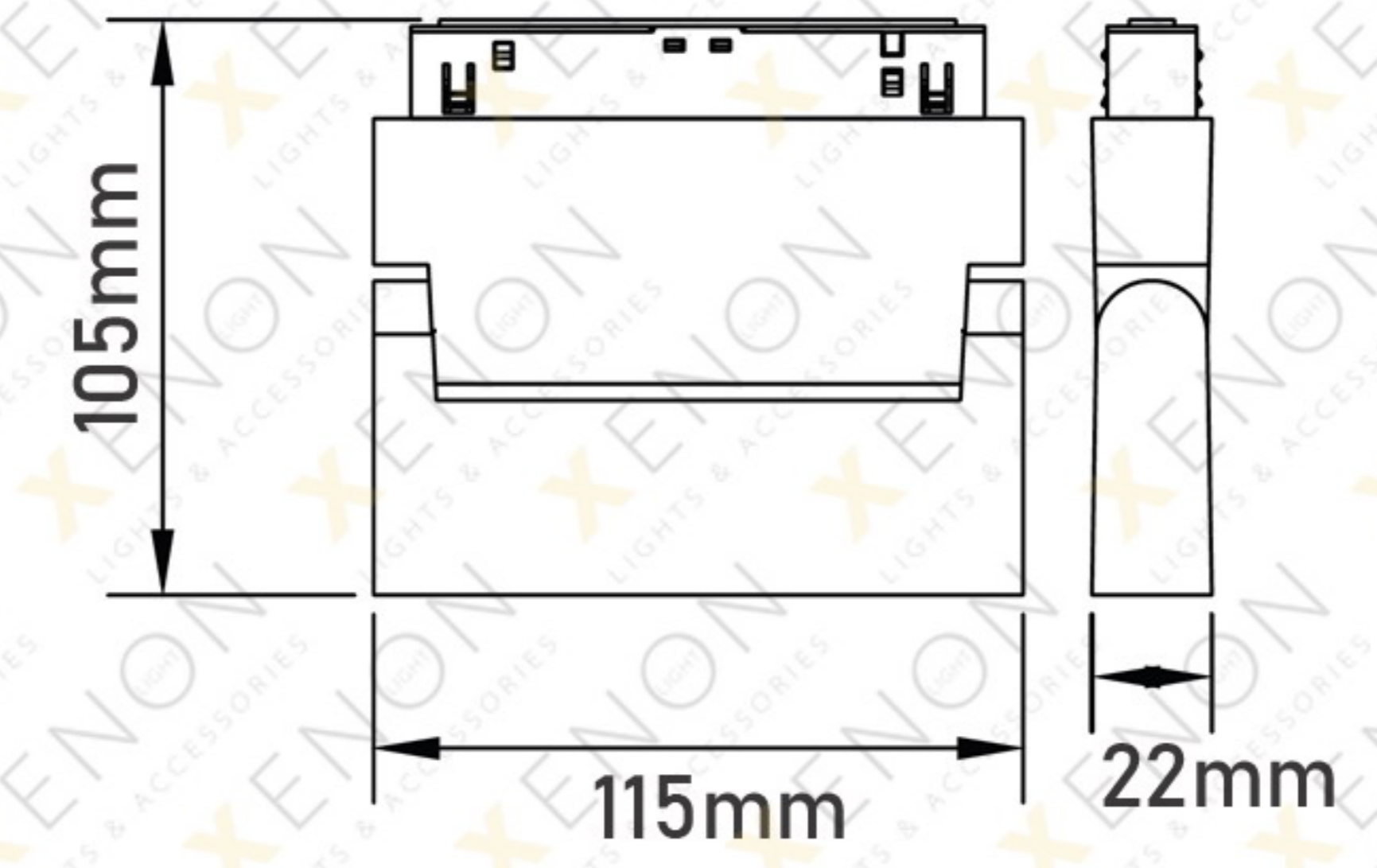


LSA2206S 6W 48V

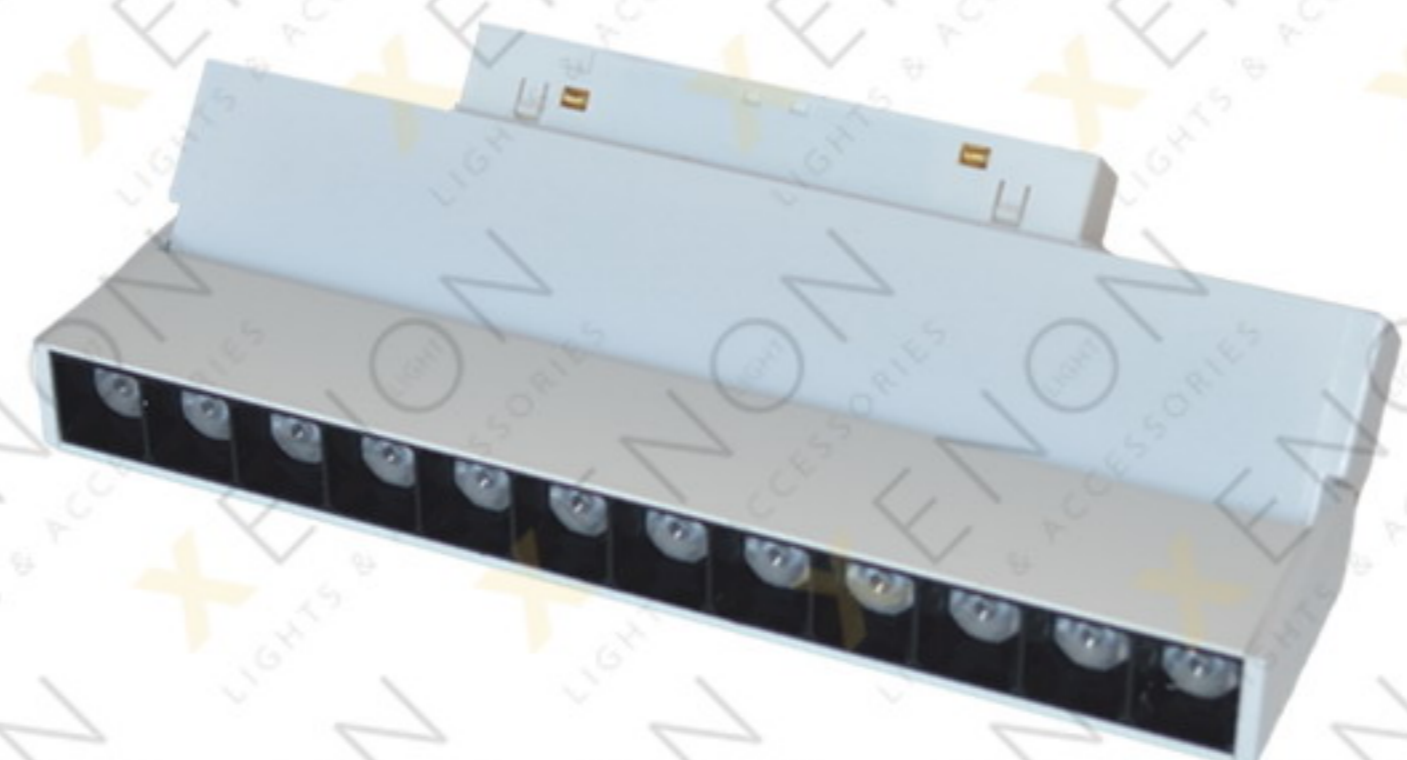


SNAGA	CRI	CCT	UGAO	LUMEN
6W	80	3000K/4000K	24°	90Lm/W

Crna Bela

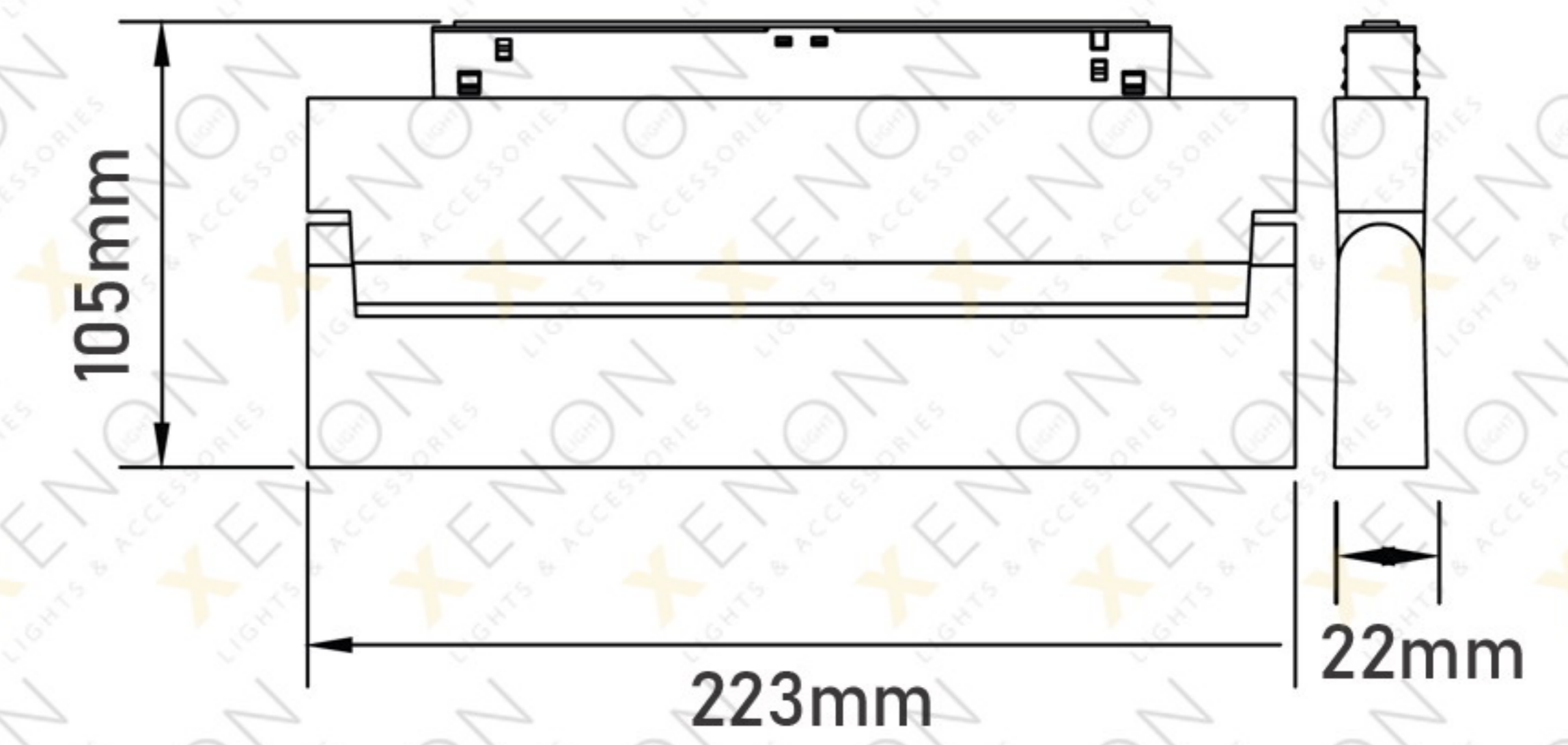


LSA2212S 12W 48V



SNAGA	CCT	UGAO	LUMEN
12W	80 3000K/4000K	24°	90Lm/W

Crna Bela

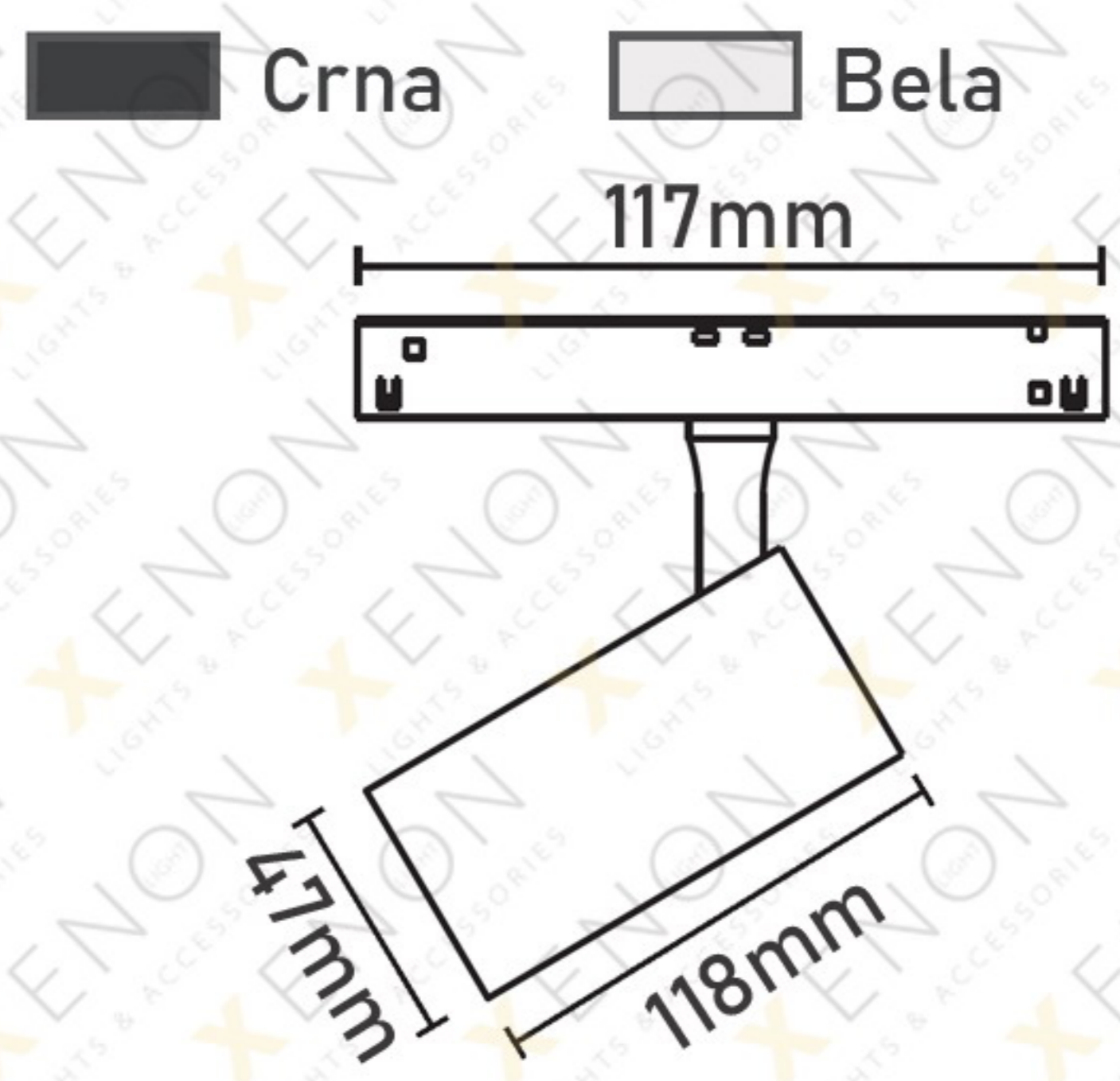




LSA2040R 7W 48V



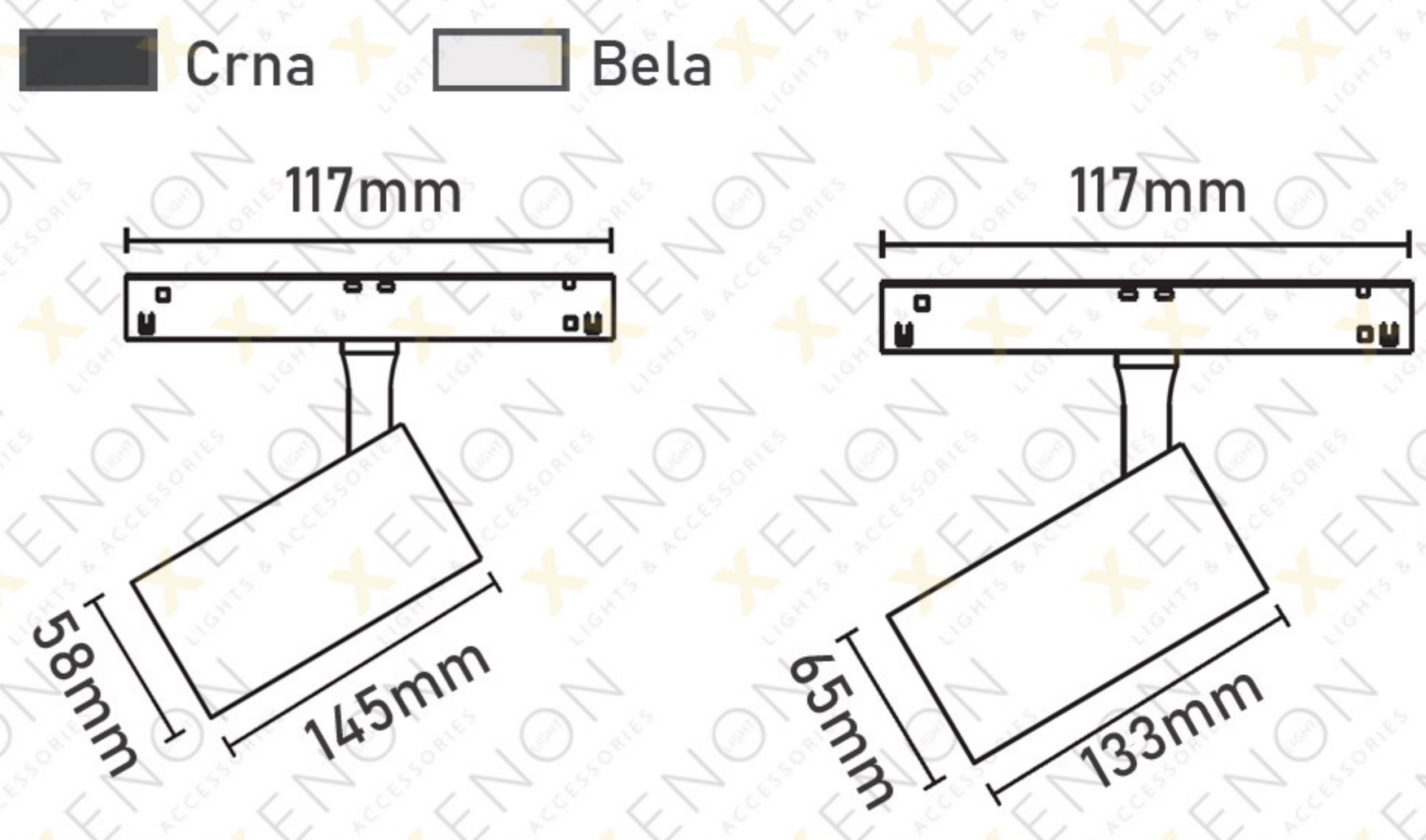
SNAGA	CRI	CCT	UGAO	LUMEN
7W	80	3000K/4000K	24°	90Lm/W



LSA2060R 12W 48V / LSA2060R 20W 48V



SNAGA	CRI	CCT	UGAO	LUMEN
12W	80	3000K/4000K	24°	90Lm/W
20W	80	3000K/4000K	24°	90Lm/W



MAGNETNE 48V | SPOT serija



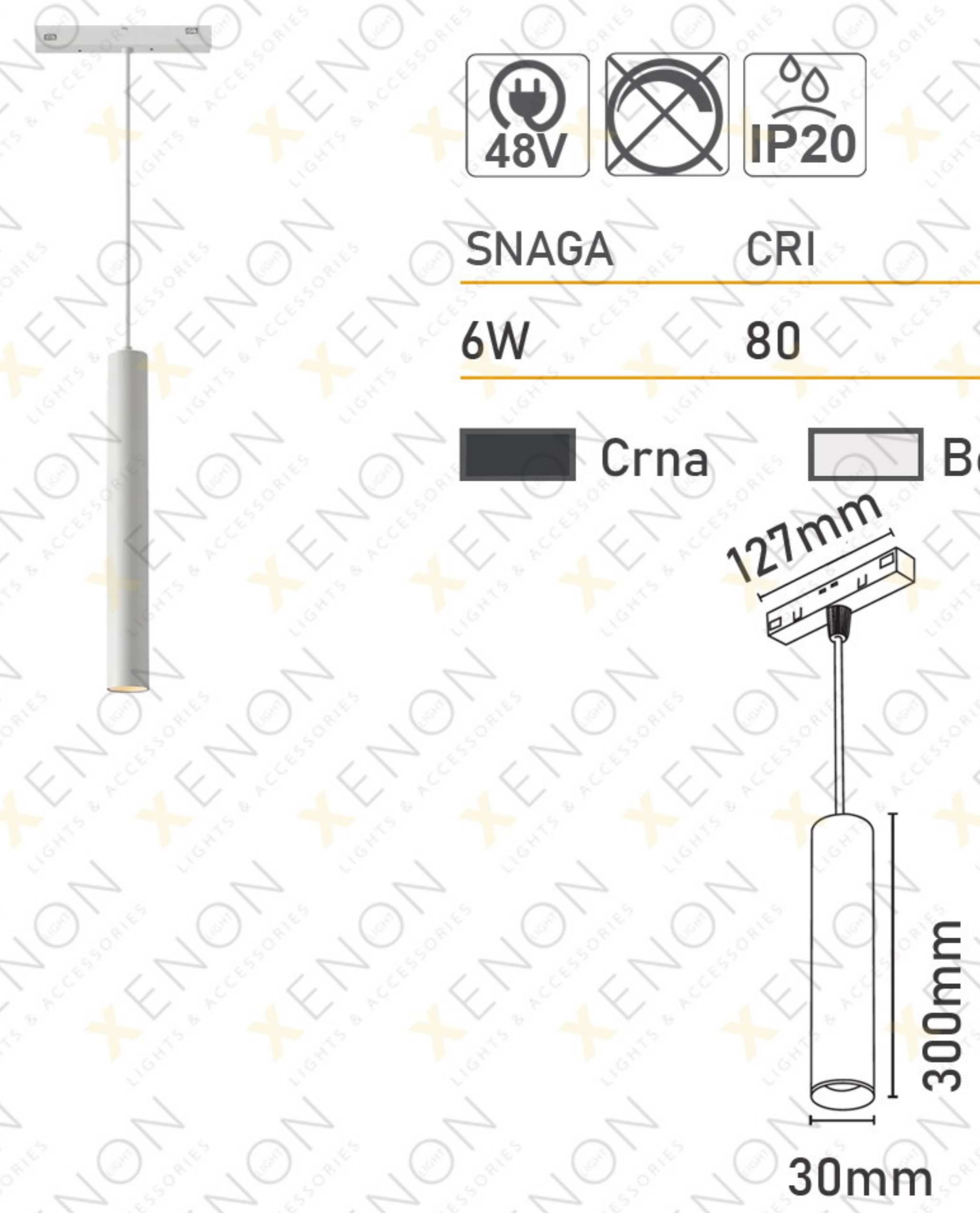


LPA4020NR 6W 48V



SNAGA	CRI	CCT	UGAO	LUMEN
6W	80	3000K	24°	90Lm/W

■ Crna □ Bela

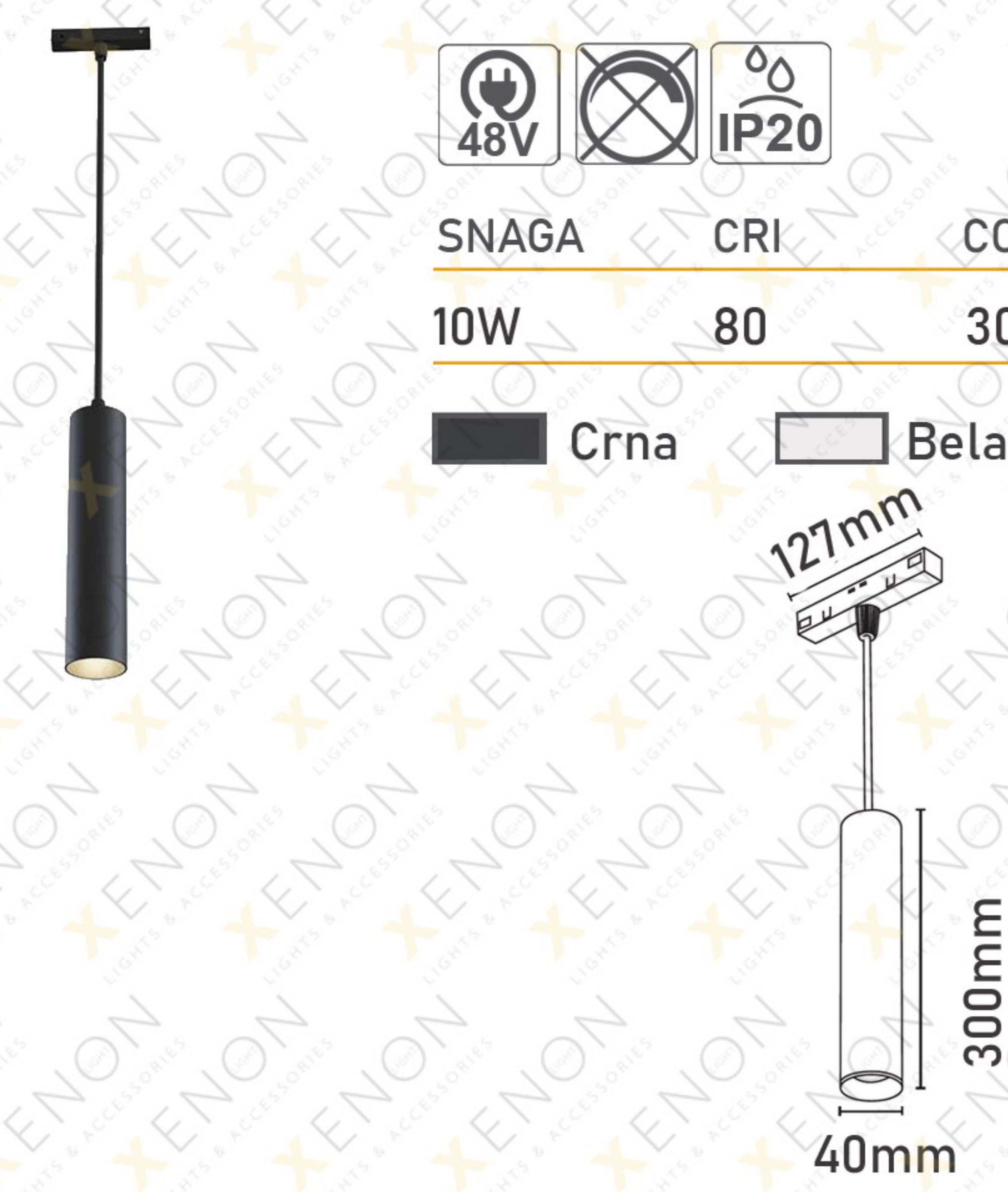


LPA4020NR 10W 48V



SNAGA	CRI	CCT	UGAO	LUMEN
10W	80	3000K	24°	90Lm/W

■ Crna □ Bela



MAGNETNE 48V | VISILICE serija





35mm

• Nadgradne

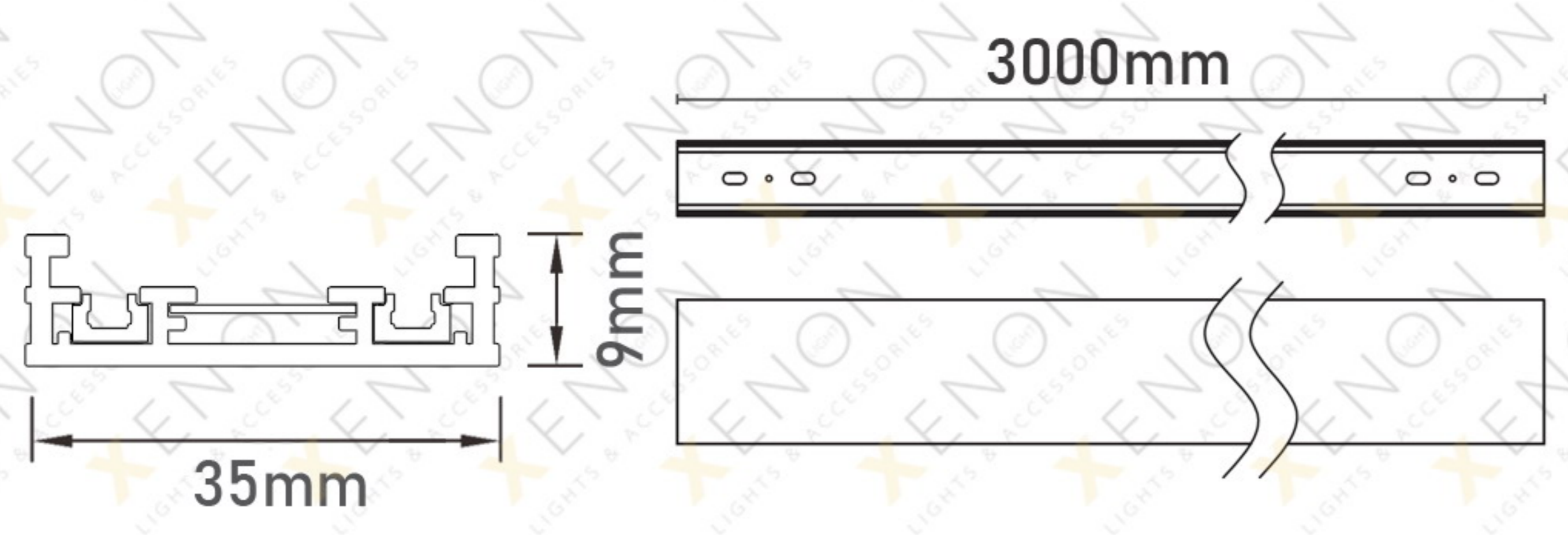
MAGNETNE 48V | ŠINE mini SLIM 35mm

LST mini SLIM 48V



MODEL	DUŽINA
LST mini SLIM -3M	3000mm

Crna



KONEKTORI

LDT-E02 SLIM



čep za šinu KR-RSP



LDT-L02 SLIM



LST-J02 SLIM



DODATNA OPREMA

C-35-100 48V SLIM



RSP-200 48V SLIM





MAGNETNE 48V SLIM | LINEAR serija

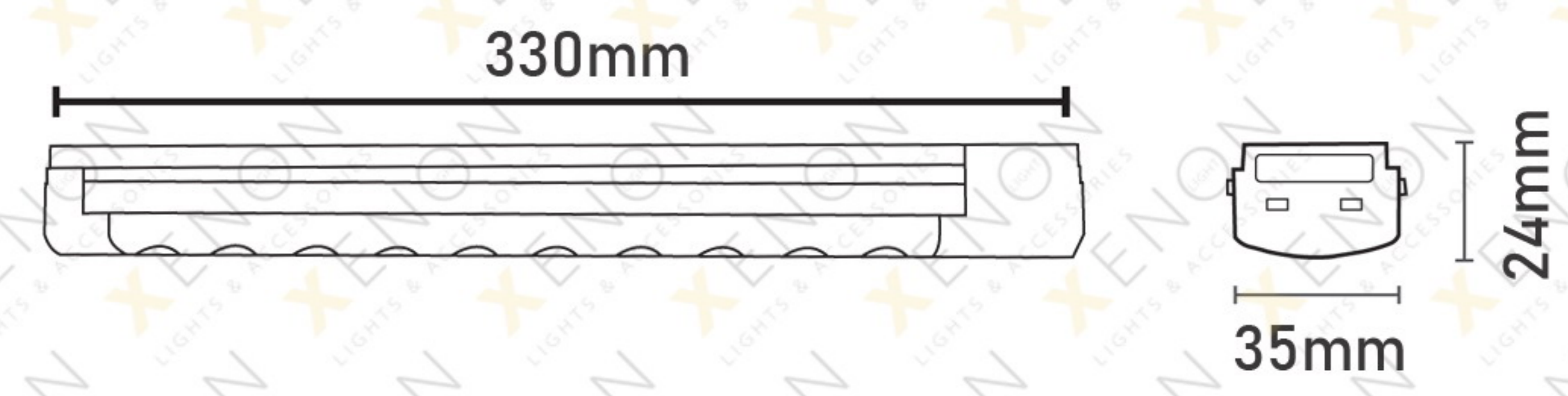


LLA2212S 10W SLIM 48V



SNAGA	CRI	CCT	UGAO	LUMEN
10W	80	3000K	24°	80Lm/W

Crna

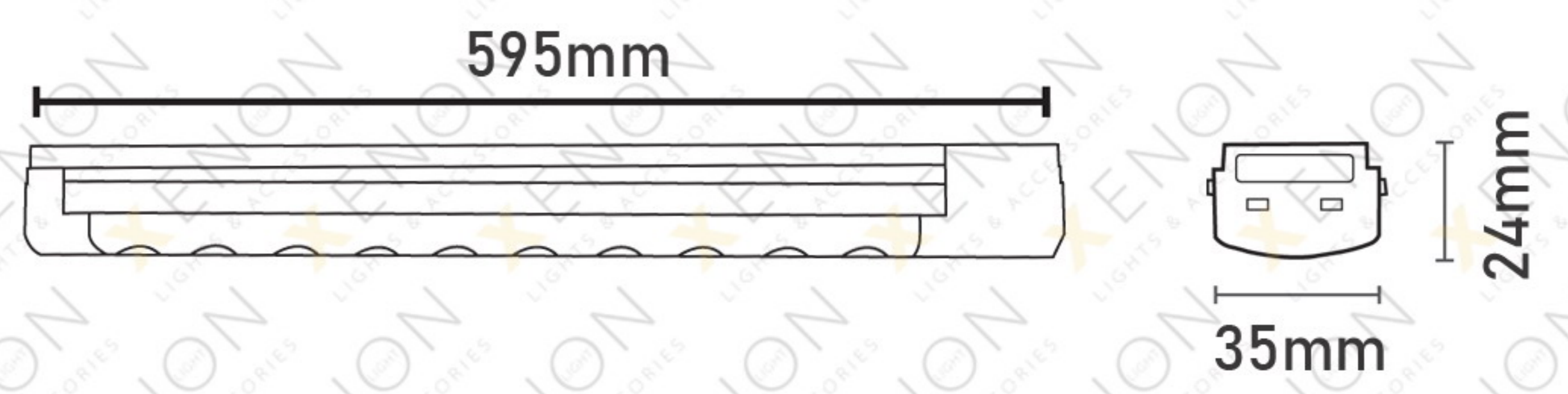


LLA2218S 20W SLIM 48V

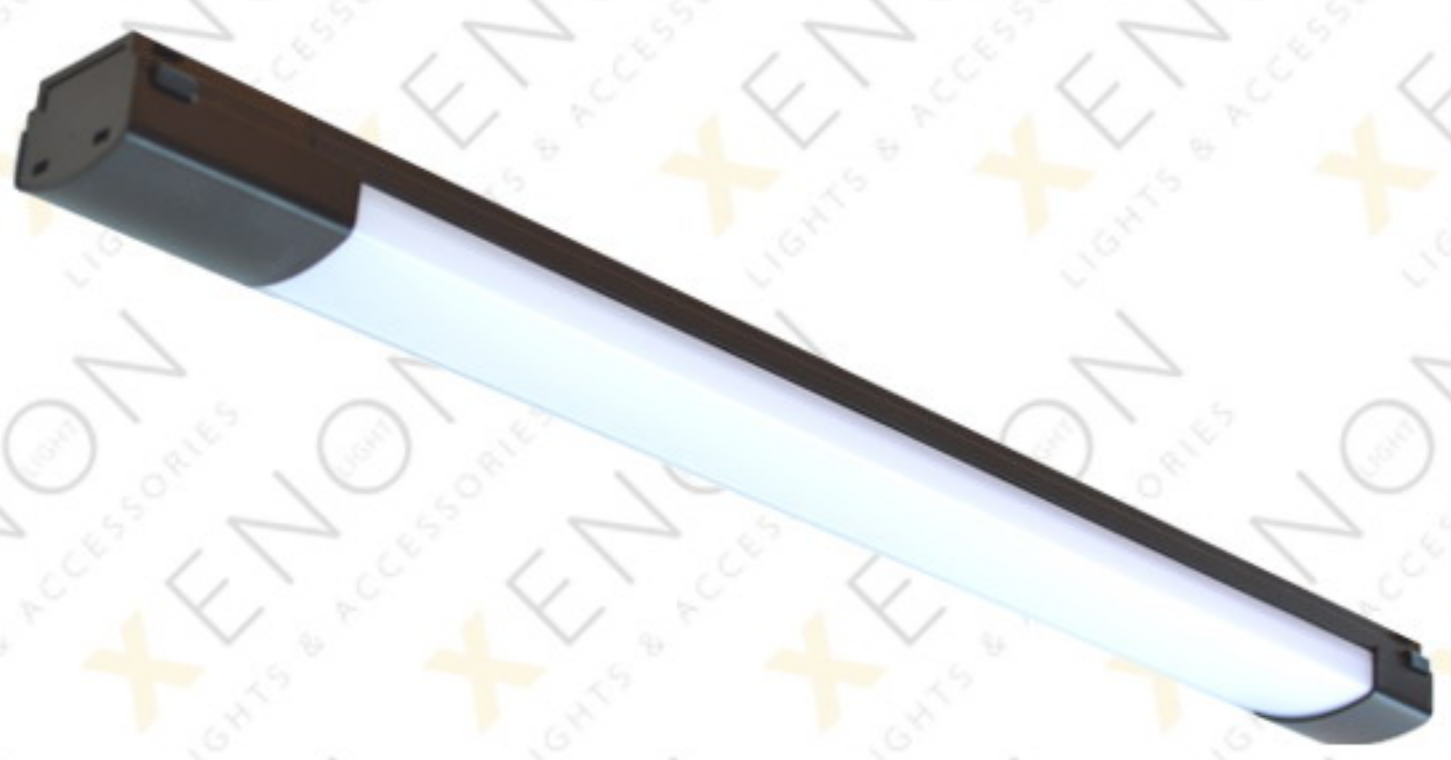


SNAGA	CRI	CCT	UGAO	LUMEN
20W	80	3000K	24°	80Lm/W

Crna

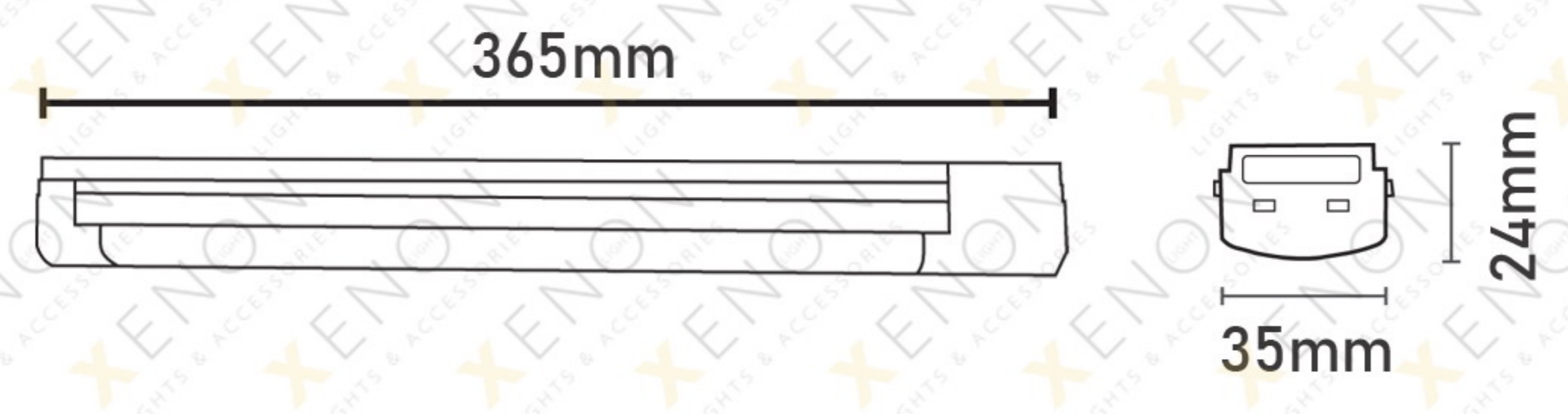


LLB2223S 12W SLIM 48V



SNAGA	CRI	CCT	UGAO	LUMEN
12W	80	3000K	120°	80Lm/W

Crna



LLB2269S 24W SLIM 48V



SNAGA	CRI	CCT	UGAO	LUMEN
24W	80	3000K	120°	80Lm/W

Crna





MAGNETNE 48V SLIM | FOLD serija

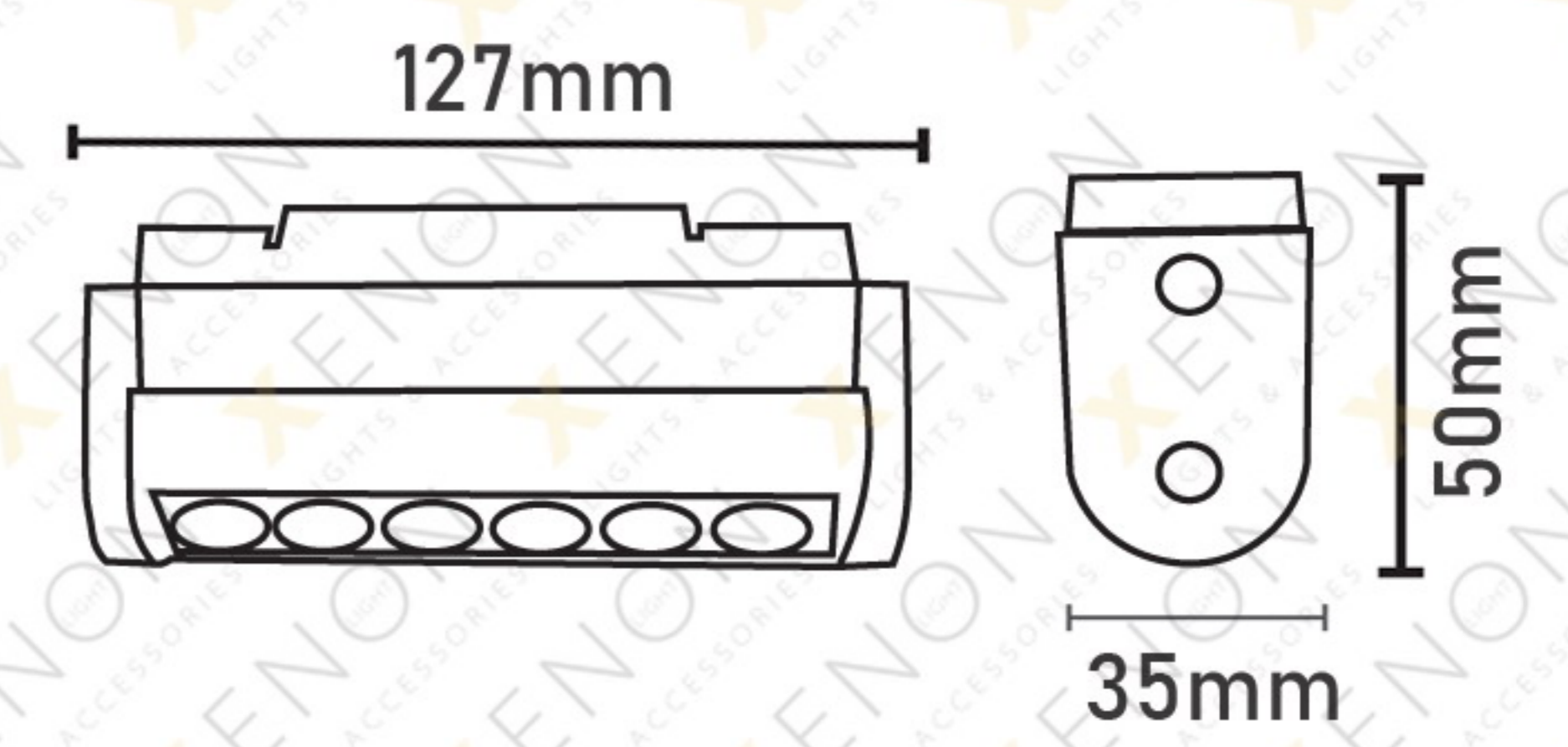


LSA2206S 6W SLIM 48V



SNAGA	CRI	CCT	UGAO	LUMEN
6W	80	3000K	24°	80Lm/W

Crna

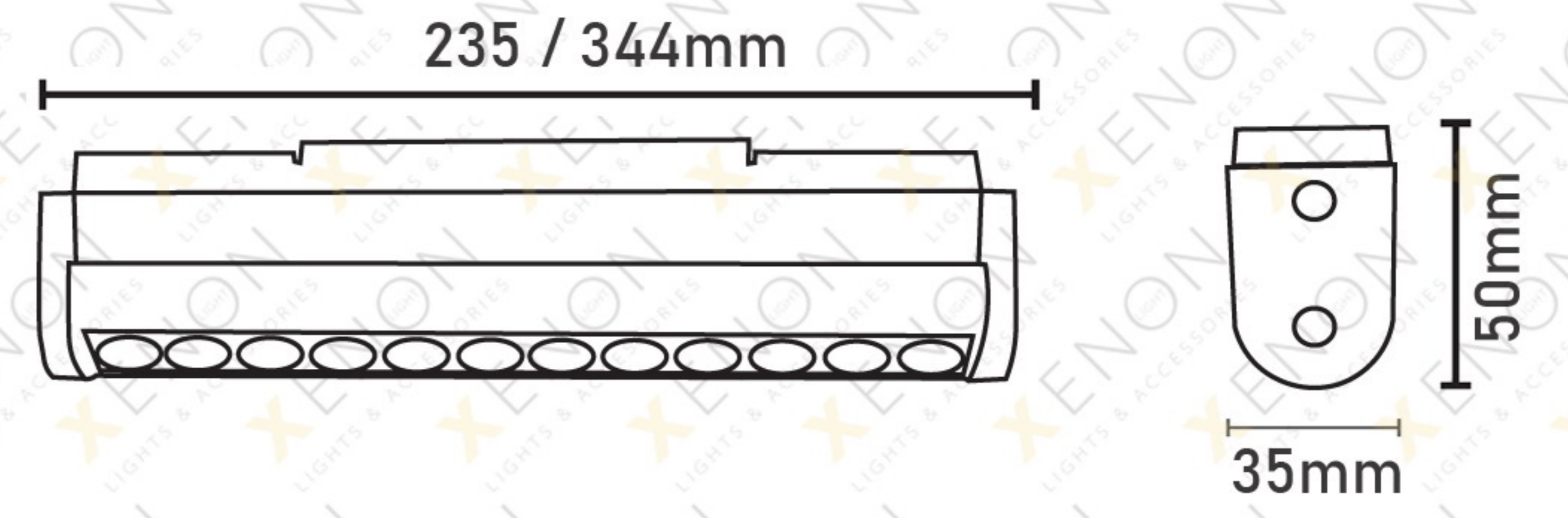


LSA2212S 12W SLIM 48V / LSA2218S 18W SLIM 48V



SNAGA	CRI	CCT	UGAO	LUMEN
12W	80	3000K	24°	80Lm/W
18W	80	3000K	24°	80Lm/W

Crna



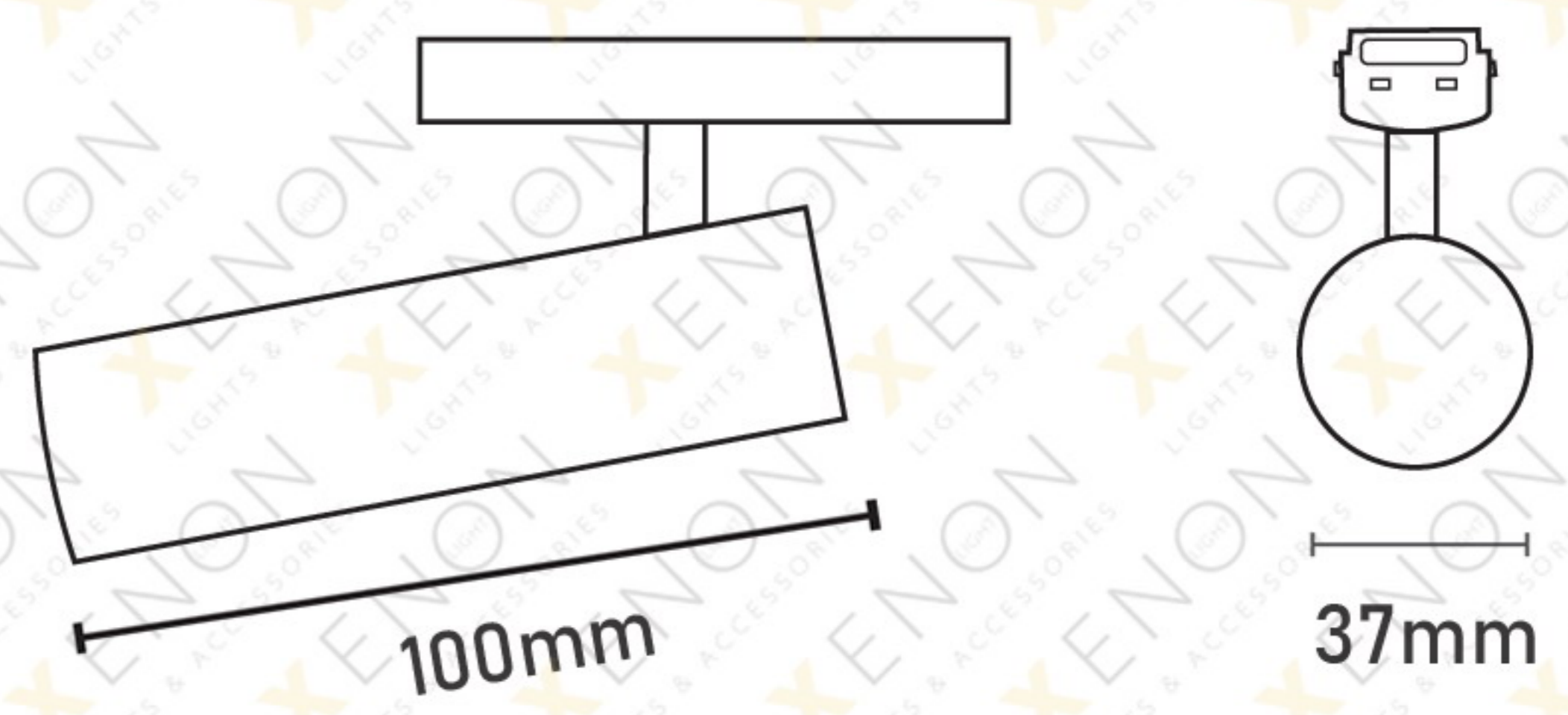


LSA2040R 7W SLIM 48V



SNAGA	CRI	CCT	UGAO	LUMEN
7W	80	3000K	24°	80Lm/W

Crna

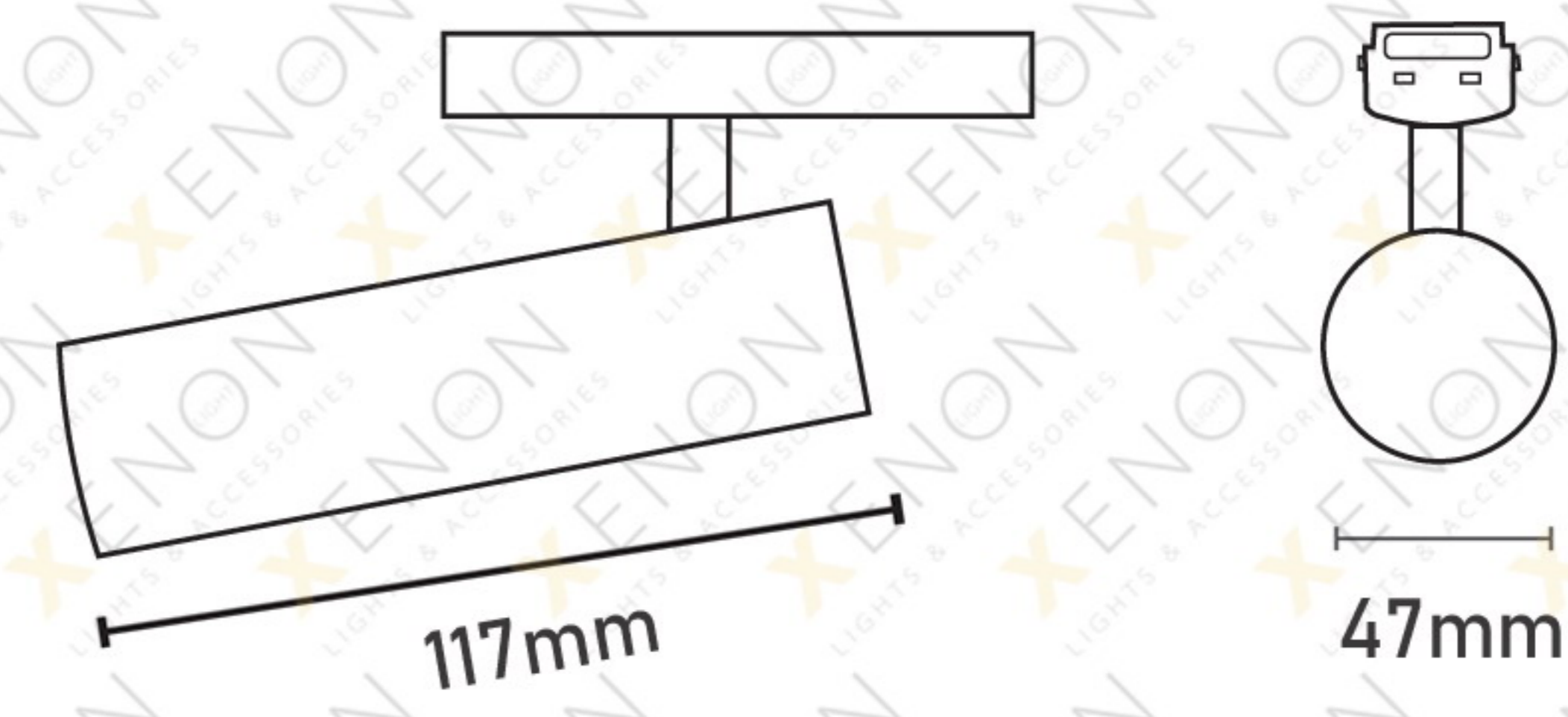


LSA2060R 10W SLIM 48V



SNAGA	CRI	CCT	UGAO	LUMEN
10W	80	3000K	24°	80Lm/W

Crna



MAGNETNE 48V SLIM | SPOT serija

